



Exterior 1200 Image Projector™ Snoot / Barn Doors Kit Installation Guide

Introduction

The Snoot / Barn doors Kit for the Martin™ Exterior 1200 Image Projector™ contains all the components needed to install various configurations of snoot and four barn doors. This note explains how to install the components in this kit.

Snoot plates reduce light overspill to the sides of fixtures but do not mask the beam. They can help conceal lighting fixtures so that public attention is on the lighting effects and illuminated surfaces in an installation, and not the fixtures.

Barn doors allow you to mask the beam from a lighting fixture and limit illumination precisely to a target object or surface.

If in doubt about how to use the snoot / barn doors in a specific location or for a specific purpose, your Martin Architectural supplier will be glad to give advice. For the latest documentation and information about this and all Martin Architectural products, please visit www.martin-architectural.com

Read this installation note before installing the Exterior 1200 Image Projector Snoot / Barn Doors Kit, follow the instructions and safety precautions listed below and observe all warnings on your fixtures, in fixture user manuals and in this installation guide. If you have questions about how to install or use the components in the kit safely, please contact your Martin Architectural supplier or call the Martin 24-hour service hot line at +45 70 200 201.

Safety information

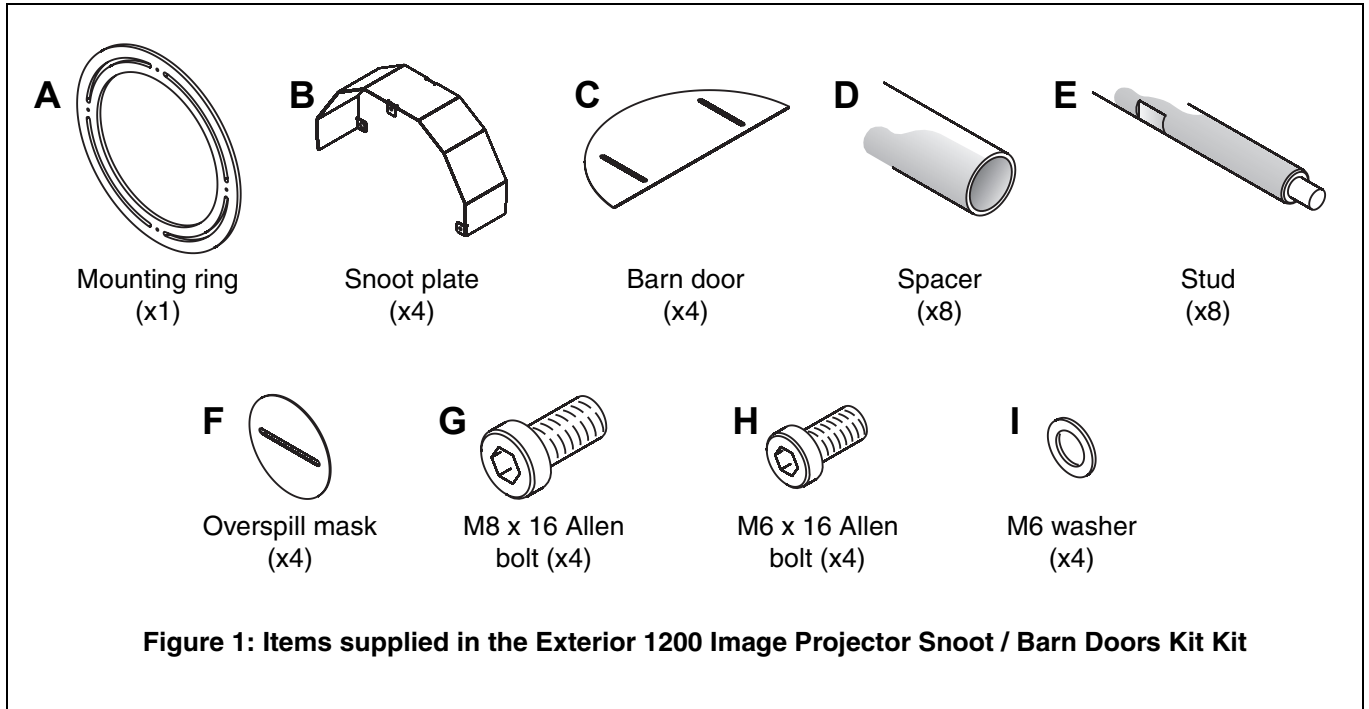
- Block access below the work area and work from a stable platform whenever installing, servicing or removing components on overhead lighting fixtures.
- Fasten all components as described in this installation guide. After installation and at each service, check that all fasteners are secure.
- The snoot and barn doors can become hot when in use. Allow to cool before handling.
- Do not modify the Exterior 1200 Image Projector Snoot / Barn Doors Kit or add any items that are not supplied in the kit.

Ordering information

Exterior 1200 Image Projector Snoot/Barn Doors Kit P/N 91611257

Unpacking

The Exterior 1200 Image Projector Snoot / Barn Doors Kit Kit contains the components shown in Figure 1:



Mounting ring

See Figure 2. Before installing snoot plates or barn doors, install the mounting ring **A** on the front of the fixture, securing it with four M8 x 16 Allen bolts **G** in the mounting holes arrowed in Figure 2.

The mounting ring can be rotated for adjustment of the snoot and barn doors.

Tighten fasteners securely after installing or adjusting the mounting ring.

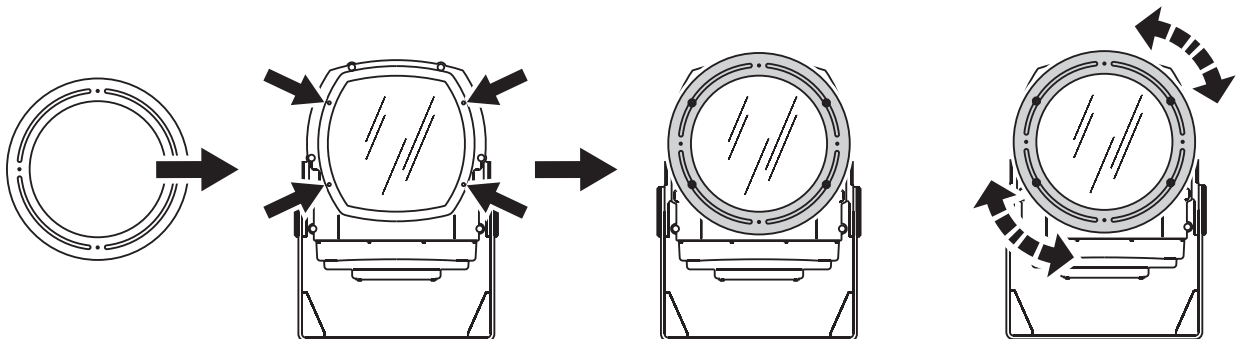


Figure 2: Mounting ring

Snoot plates

Installing a snoot plate

Note that one edge of snoot plate **B** has two tabs with smaller-diameter holes, and the other edge has two mounting tabs with larger-diameter holes.

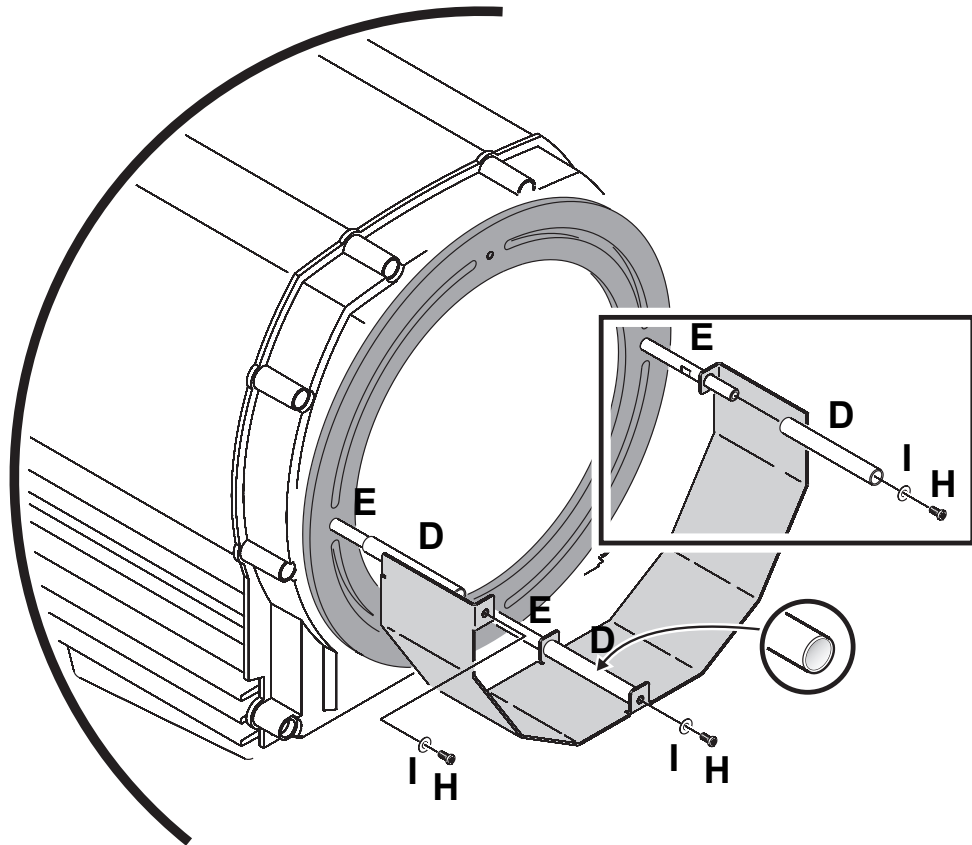


Figure 3: Snoot plate fasteners

To install a single snoot plate:

1. See Figure 3. Screw three studs **E** into the holes provided in the mounting ring **A**. Studs have flats machined into their shafts that accept an 8 mm open-ended wrench.
2. Line up a snoot plate **B** with the studs **E** as shown in Figure 3 so that the two tabs with larger-diameter holes face towards the fixture. Slide these tabs over two studs **E**.
3. *If you are not installing any more components*, see Figure 3: install three spacers **D** on the studs **E** at each end of the snoot plate, then fasten the snoot plate to the studs **E** by screwing three M6 x 16 Allen bolts **H** with M6 washers **I** into the ends of the three studs.
4. *If you are installing more components*, read the next sections.

Installing additional snoot plates

See Figure 4. Snoot plates can be added applying the following principles:

- Install all snoot plates so that the tabs with larger-diameter holes face towards the fixture and the tabs with smaller-diameter holes face away from the fixture.
- Slide tabs with larger-diameter holes over studs **E**. Fasten tabs with smaller-diameter holes to the tops of studs **E**.
- Install spacers **D** on all studs **E**, as shown in Figure 3.

- When mounting two snoot plates in a ring to give a circular snoot (see Figure 4), use four studs **E** and four spacers **D**.
- Install washers **I** under the heads of all screws **H**.
- When adding a second layer of snoot plates, fasten a second layer of studs **E** into the ends of the studs **E** in the first layer instead of screws, and install the second layer of snoot plates just as you installed the first. Fasten the last layer of snoot plates with screws.

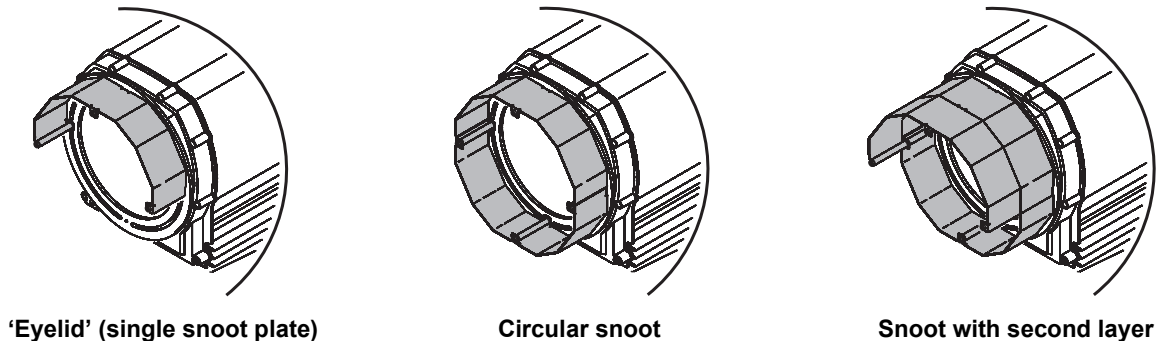


Figure 4: Snoot configurations

Barn doors

Warning! Fasten barn doors securely with two screws and washers. Ensure that all fasteners are fully tightened. Check that all fasteners are secure after installation and at every service.

Do not look directly into the light beam while working on the fixture.

Important! Barn doors must be mounted on snoot plates, Do not mount barn doors directly on the mounting ring on the front of the fixture. Do not mask more than 50% of the front glass area, or the fixture may overheat, causing damage that is not covered by the product warranty.

To avoid overheating, mount barn doors on snoot plates and do not mask more than 50% of the front glass.

To install a barn door:

1. Install at least one snoot plate **B** as described earlier in this note, but before inserting screws, install a barn door **C**.
2. See Figure 5. To avoid unwanted light from the slots (arrowed) in the barn doors, install the supplied overspill masks **F** as illustrated, turning them so that they cover the slits. Use screws **H** with washers **I** to fasten the barn door and masks to studs **E**.
3. Add barn doors as required, adjusting components to obtain the desired beam shape, then tighten all fasteners securely.

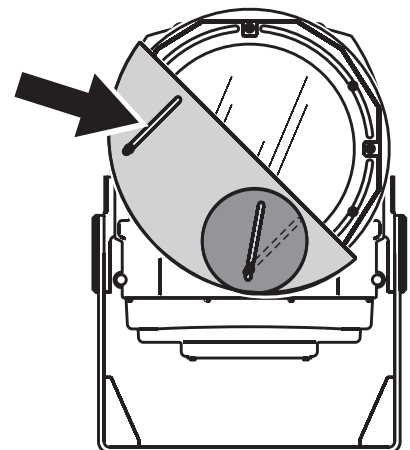


Figure 5: Overspill mask

Cleaning

Clean the snoot / barn doors with a cloth and warm soapy water. Do not use abrasives or solvents.

Martin