

# MACH CS8



## SPECIFICATIONS

Power rating IEC268:	55 watt
Power rating, peak:	220 watt
Recommended amplifier:	85 watt/100V
Frequency range +/- 3dB:	55Hz-20 KHz
Frequency range +/- 10dB:	40Hz-20KHz
Sensitivity 1W/1m:	91 dB
Dispersion angle:	90 degrees
Nominal impedance:	8 ohm
Woofer:	8"
Tweeter:	1"

### Weight & Measurements:

Dimensions (HxØ):	210 x 280mm (8.27x11.02in)
Net weight:	2.8 kg (6.2 lbs)
Grille:	Aluminum
Mounting diameter:	249mm
Finish:	White ABS

## KEY FEATURES

- Coaxial speaker with built-in 100V transformer with 8 ohms option
- Up to 4 individual power settings in 100V mode
- Great natural sound
- Highly esthetical design
- Easy installation

## DESCRIPTION

The CS5, CS6 and CS 8 is a series of recess ceiling speakers for multi purpose applications. Designed to blend, the CS range sports a highly esthetical design and with straightforward connections and attachment locks, the CS series is effortless to install. The series consists of 3 coaxial speakers in the size of a 5, 6 and 8 inch with a built-in 100V transformer with 8 ohms option. With up to 4 individual power settings in 100V mode the CS5, CS6 and CS8 are extremely flexible, suiting a wide range of applications from clubs, bars, and restaurants to retail applications and more.

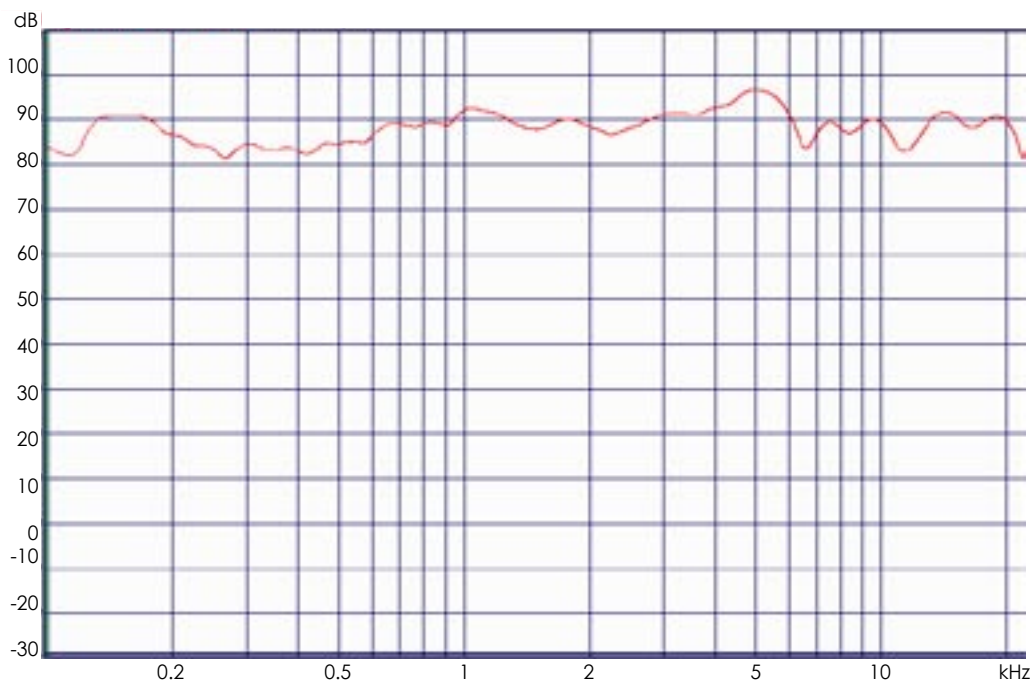
## ARCHITECTURAL SPECIFICATIONS

The loudspeaker system shall be a coaxial ceiling speaker with an IEC268 power handling of 55 watt and a frequency response from 40Hz-20KHz at +/-10dB. The loudspeaker system shall have a sensitivity of 91 dB and a maximum output of 220 watt The speaker shall be constructed of ABS and shall be 210mm (8.27in) high and 280mm (11.02in) in diameter with a weight of 2.8 kg (6.2 lbs). The loudspeaker system shall be the Mach CS8.

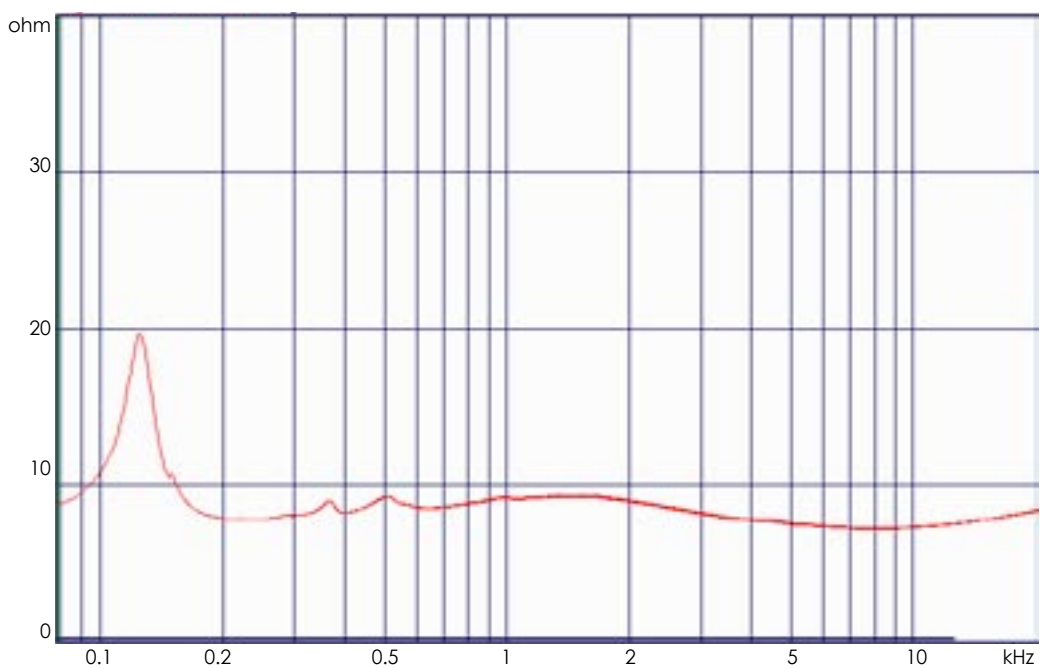
**NOTE:** Mach is continually working on research and production improvements, which can be introduced into existing products without notice. The products will always equal or exceed the original design specifications unless otherwise stated.

# MACH CS8

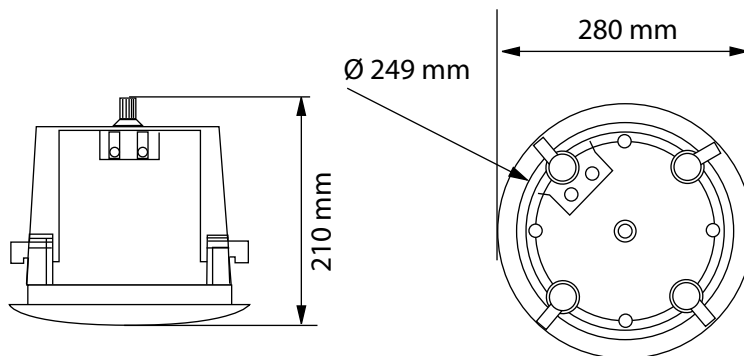
## Frequency Response



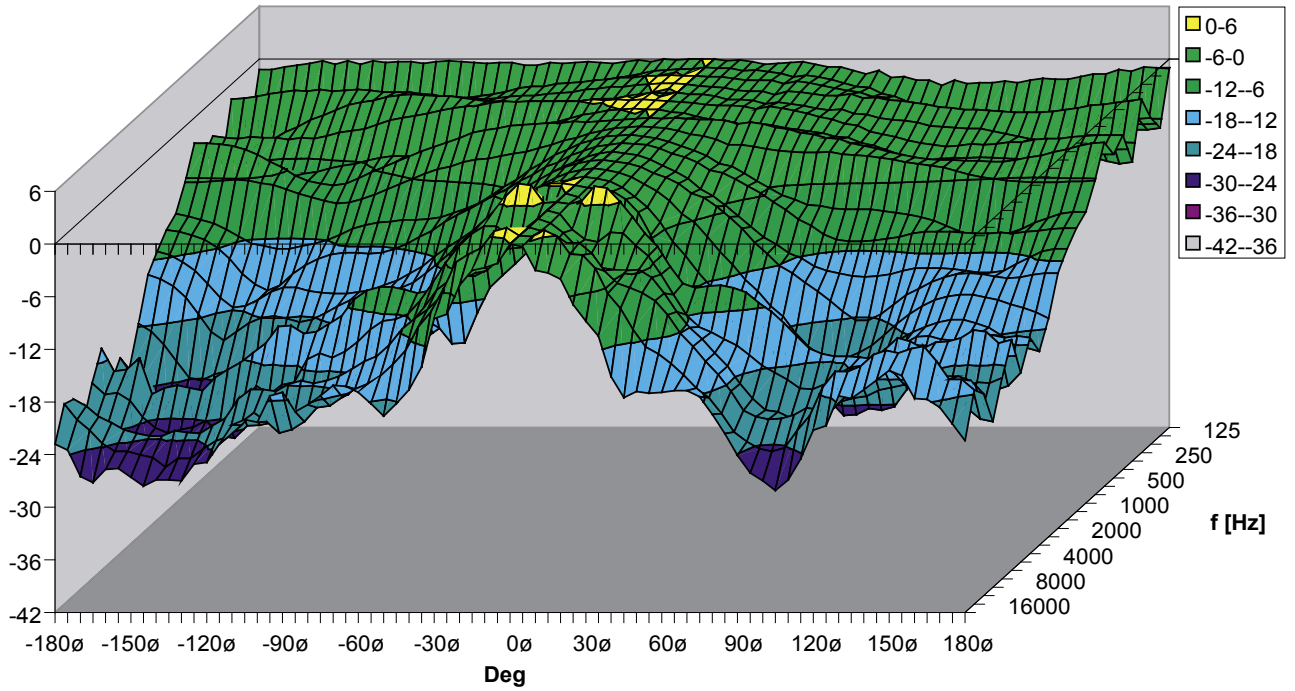
## Impedance Response



## Size and Shape

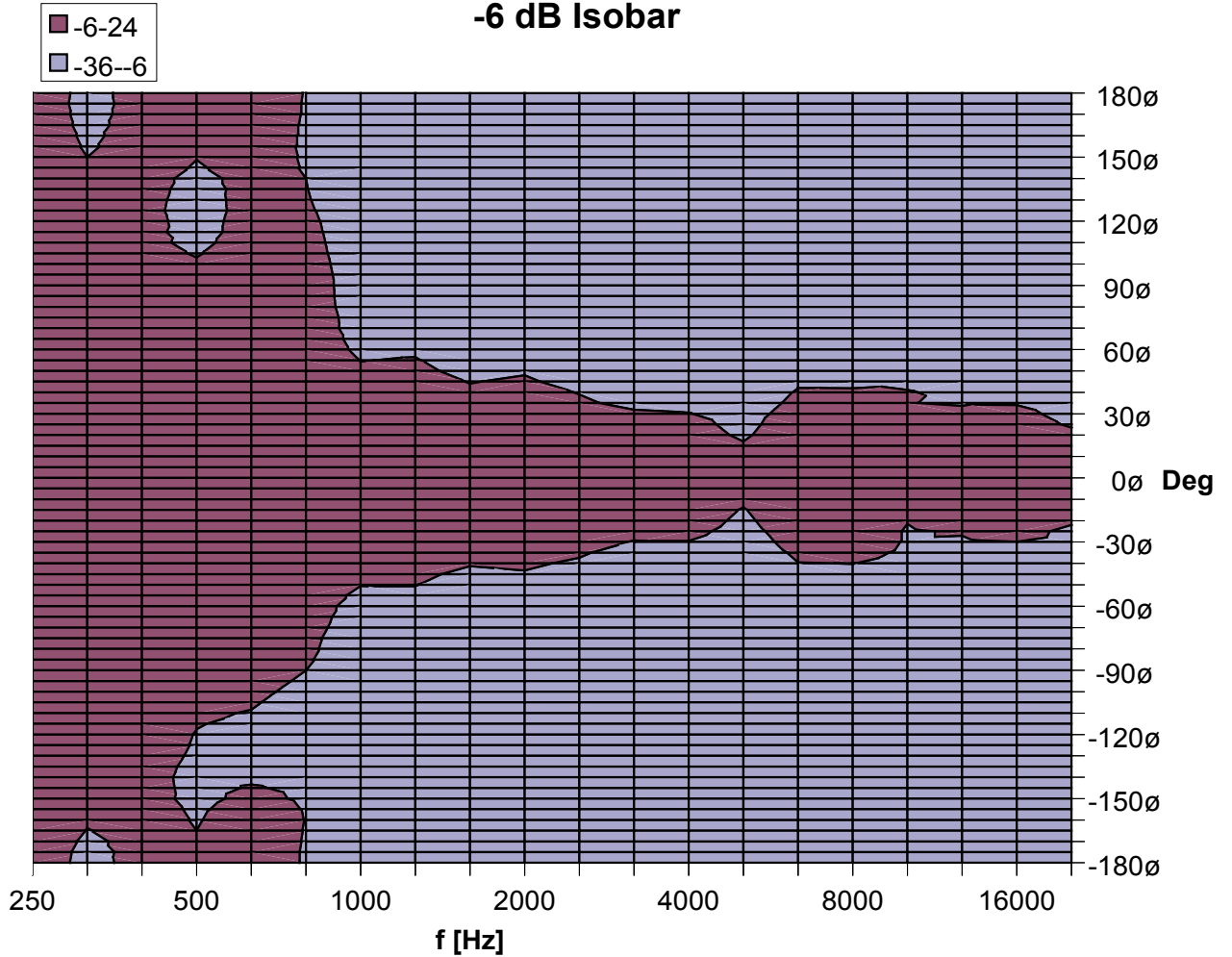


3D Directivity Plot



-6 dB Isobar

-6 dB Isobar



MACH CS8

Mach