

MACH CW110F



KEY FEATURES

- Easy installation
- Built-in crossover for satellite speakers
- Optimized for use with Mach Ci series
- Compact size
- 10 Flying points

DESCRIPTION

The CW 110F subwoofer combines easy installation and deep bass output due to the unique design. It can be placed upright or flat against walls or under a couch. The subwoofer has 10 integrated flying points allowing for multiple flying options on a wall or against the ceiling. The CW110F has a 10" double voice coil drive unit which allows a stereo signal to be applied to the terminals. The built-in crossover makes it a perfect solution in combination with the Ci speakers.

SPECIFICATIONS

Power rating IEC268:	100 watt per voice coil. Total system: 200W
Power rating peak:	400 watt. Total system: 800W
Sensitivity 1w/1m:	93 dB
Max SPL, calc. long term:	113 dB
Max SPL, peak:	119 dB
Frequency range +/-3dB:	40-150 Hz
Nominal impedance:	8ohm per voice coil
Recommended amplifier:	For each side: one voice coil and one Ci6=225W in 4 ohm run through built-in crossover

Weight & Measurements:

Dimensions (HxWxD):	220x450x475mm (8.6x17.7x18.7 inches)
Net weight:	17 kg (37 lbs)
Finish:	19mm MDF with black Safecoat coating
Grille:	2mm steel with foam backing
Input connectors:	Barrier strips input and output for satellite speakers
Flying system:	Eyebolts, mounting bracket
Rigging hardware:	Eyebolt part no. 93940002 Mounting bracket part no. 26020350

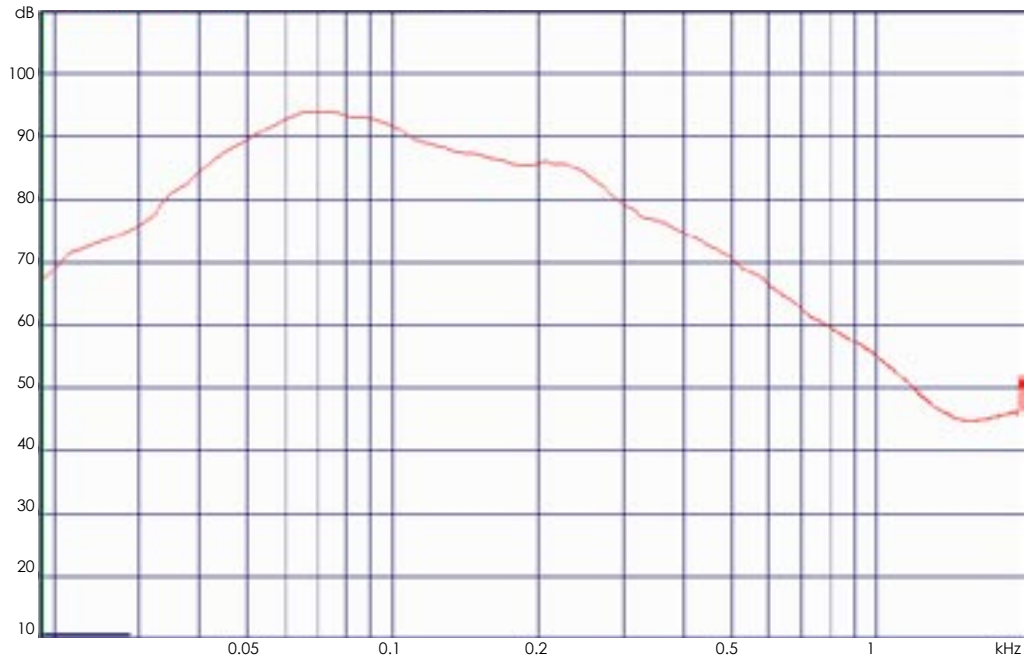
ARCHITECTURAL SPECIFICATIONS

The loudspeaker system shall be the Mach CW110F with an IEC power handling of 100 watt per voice coil. The loudspeaker shall have a sensitivity of 93 dB and a maximum output of 119 dB. The loudspeaker system shall also have 10" double voice coil drive unit and a built-in crossover. The subwoofer shall be constructed of 19mm Medium Density Fiberboard with black Safecoat coating. It shall be 220mm (8.6in) high, 450mm (17.7in) wide and 475mm (18.7in) deep with a weight of 17 kg (37 lbs).

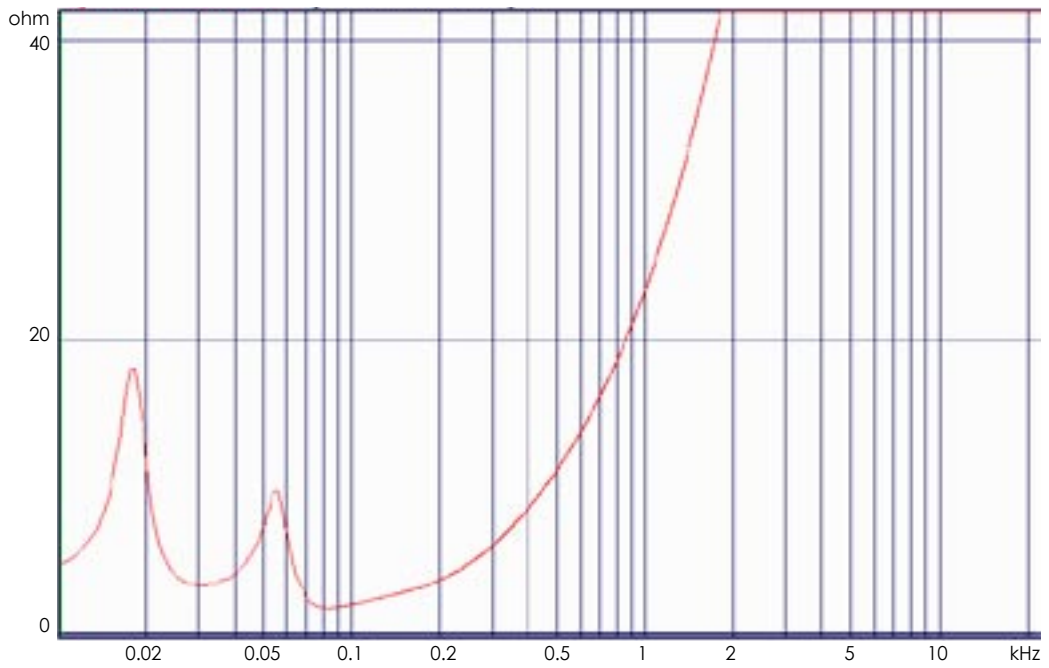
NOTE: Mach is continually working on research and production improvements, which can be introduced into existing products without notice. The products will always equal or exceed the original design specifications unless otherwise stated.

MACH CW110F

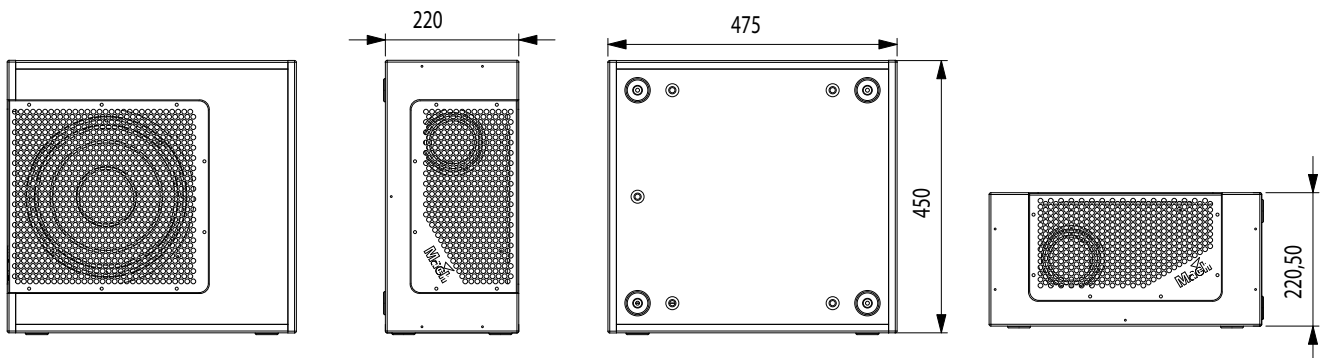
Frequency Response



Impedance Response

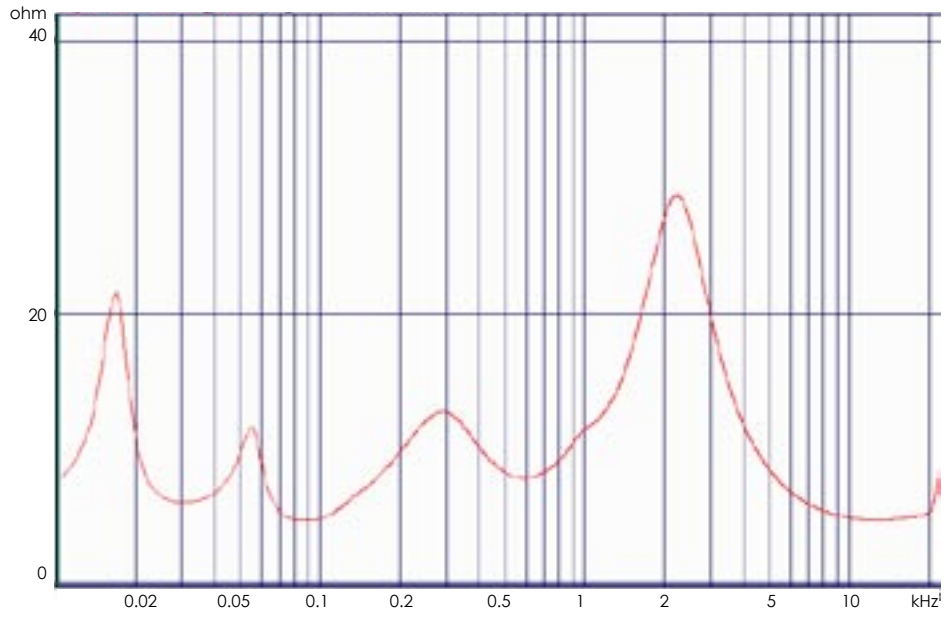


Size and Shape

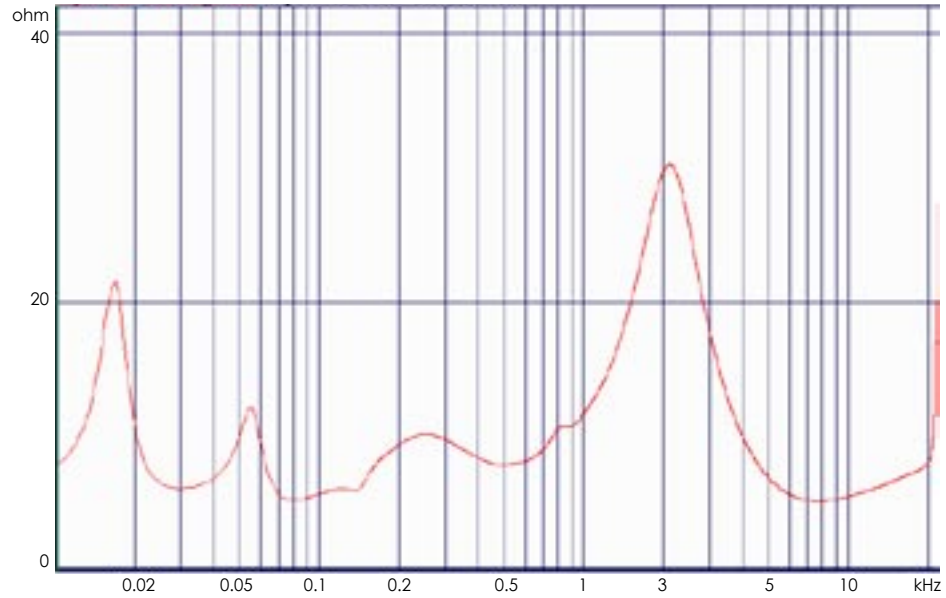


MACH CW110F

Impedance Response with Ci4



Impedance Response with Ci6



Impedance Response with Ci8

