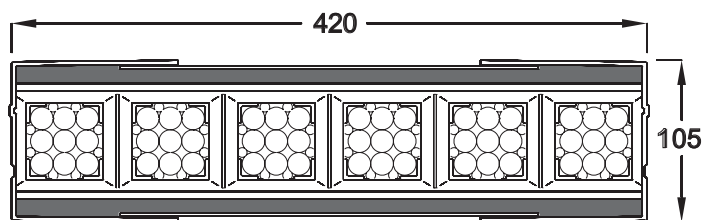
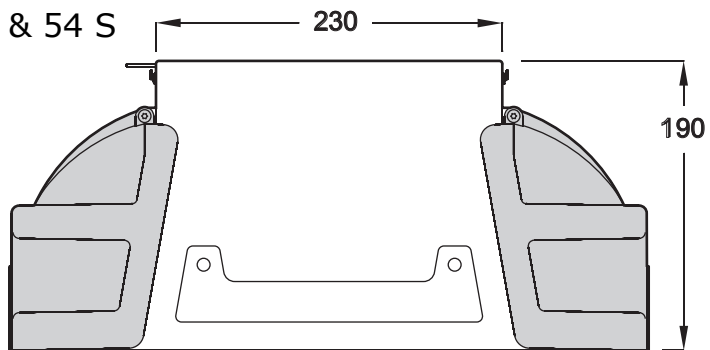
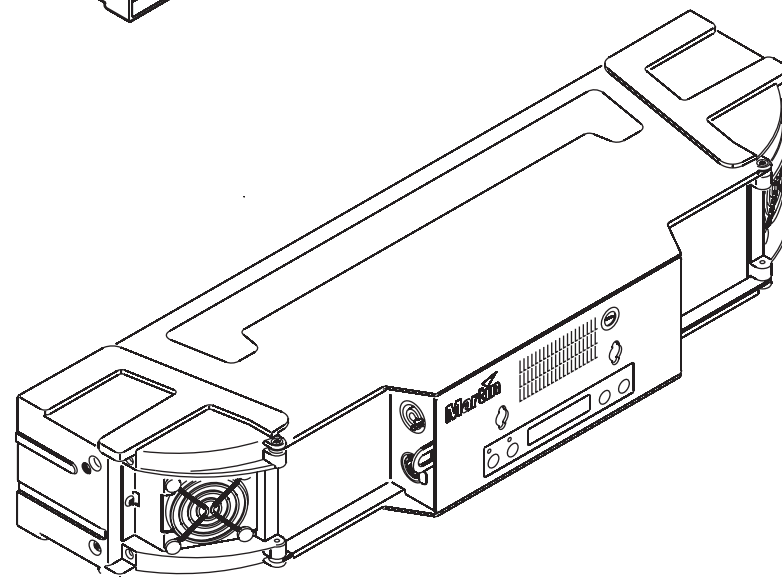
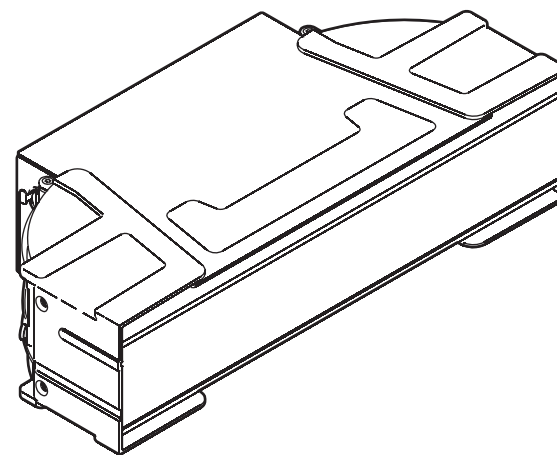
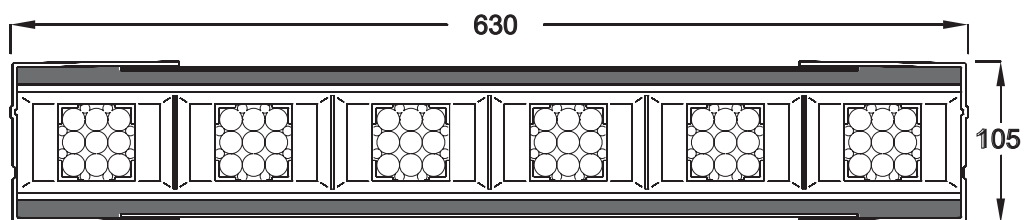
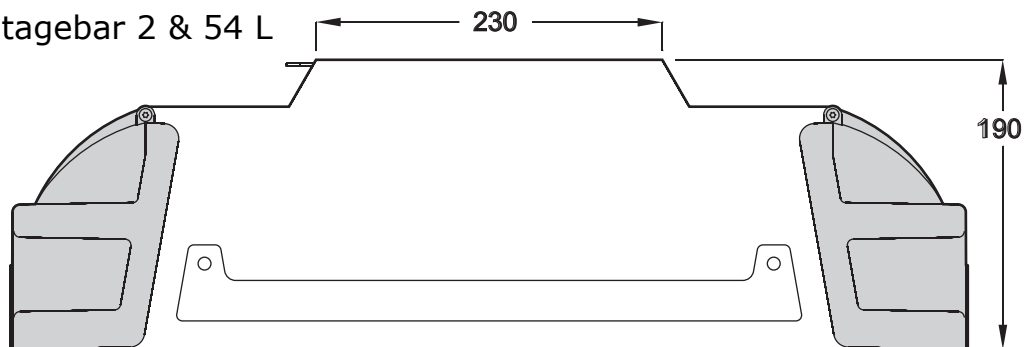


Stagebar 2 & 54 S



Stagebar 2 & 54 L



All dimensions in mm.

Martin		Weight (kg)	
Product	Stagebar 2 & 54 L+S	Scale	Date
			24.10.2011
Description			Sign
Dimensions		Drawing	MA
		Dimensions	Revision
			A