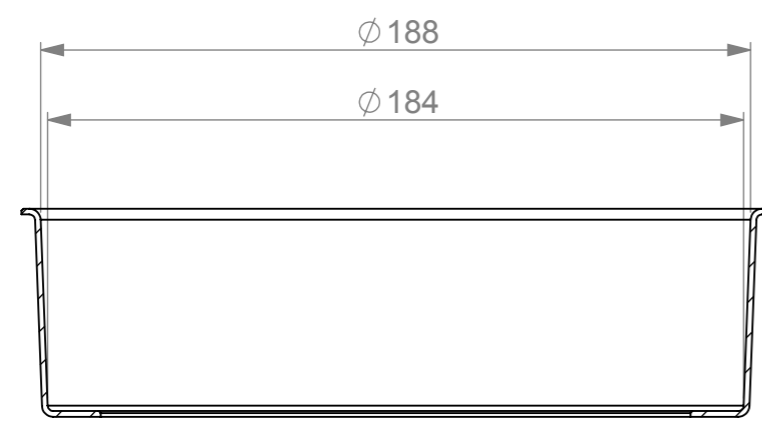
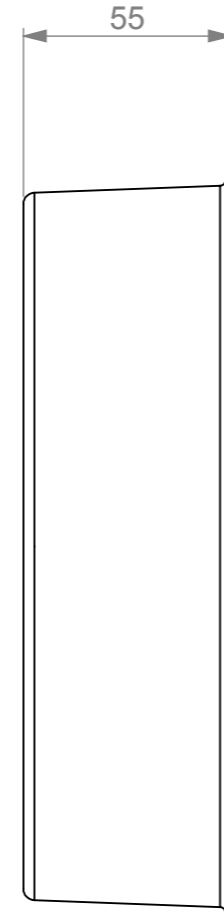
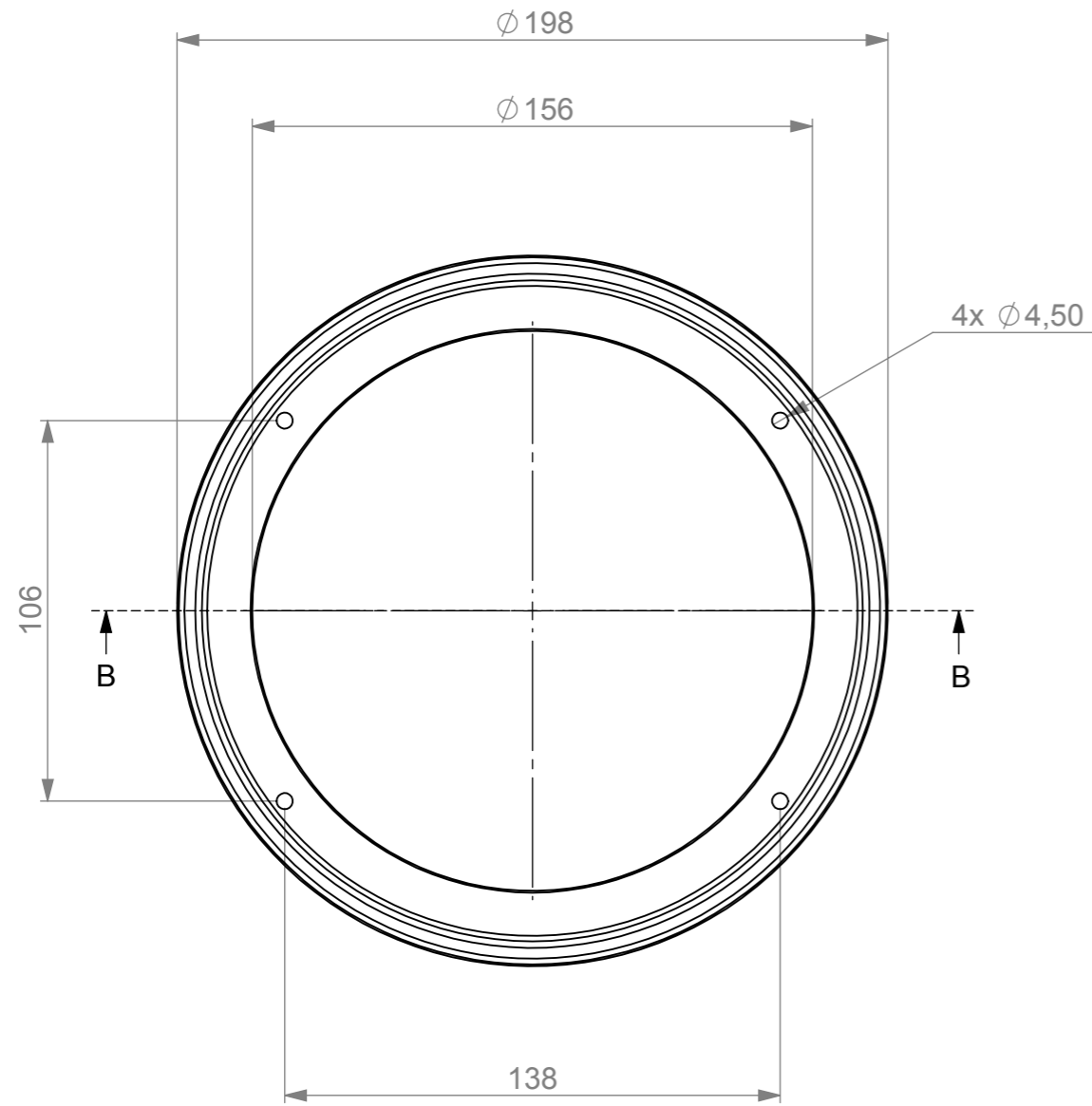


REVISION HISTORY

DATE	REV.	DESCRIPTION	BY
15.01.2019	B		Itousgaard



SECTION B-B

General Technical Specification apply to this item

© 2019 HARMAN Professional Denmark ApS PROPRIETARY AND CONFIDENTIAL PROPERTY OF HARMAN. DO NOT DISCLOSE, REPRODUCE, OR PUBLISH WITHOUT WRITTEN HARMAN APPROVAL.	Material Aluminum	FIRST ANGLE PROJECTION	HARMAN Professional Denmark ApS Oluf Palmes Allé 44 DK 8200 Aarhus N				
	General linear tolerance		TITLE Top Hat MAC Encore Performance				
ROHS RESTRICTION OF HAZARDOUS SUBSTANCES ALL MATERIALS USED IN THIS PART MUST BE ROHS COMPLIANT. SUPPLIER SHALL PROVIDE A CERTIFICATE OF ROHS COMPLIANCE WITH THE FIRST ARTICLE.	General angular tolerance	Item to be	NO.	REV	See table		
DIMENSIONS SHOWN ARE FOR REFERENCE AND INSPECTION ONLY. REFER TO CAD MODEL PROVIDED WITH THIS DRAWING FOR OVERALL DEFINITION OF PART GEOMETRY.	Color Black	Item to be	SIZE A3	SCALE 1:2	UNIT mm	DO NOT SCALE DRAWING	SHEET OF 1 1