

VC-Dots™ Truss Clips Installation Guide

Safety information



Warning! Read the following information and read the safety precautions in the products' user documentation before installing products in the Martin VC™ family using Martin™ mounting accessories. User documentation is supplied with products, but check that you have the latest documents. These are available for download from the Product Support pages at www.martin.com

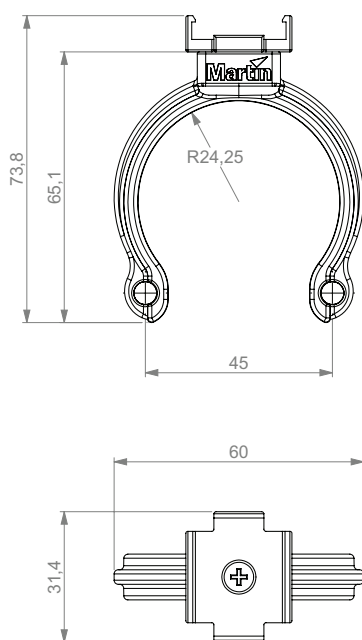


Warning! Products must be installed by qualified professional technicians only. All locally applicable safety and building regulations must be respected. Check that the mounting surface can safely support the weight of all the items you intend to install on it. Lock out power to the installation before starting work. Truss clips must be secured using cable ties as described in this guide.

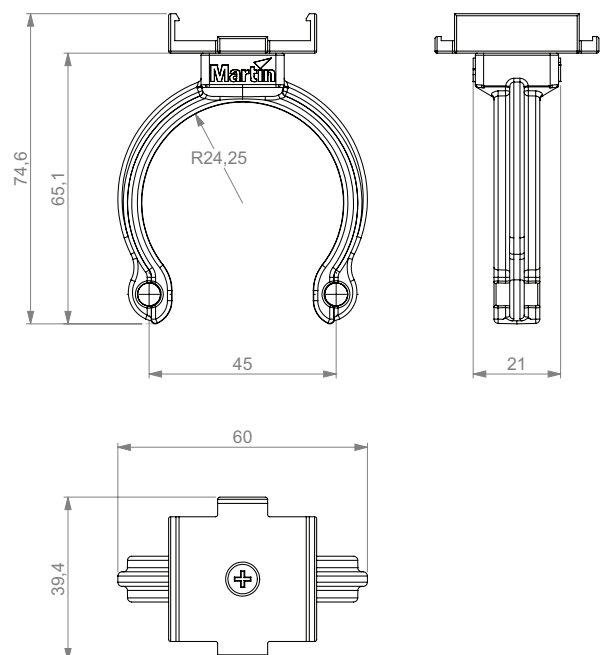
If you have any questions about how to install any Martin™ product or use it safely, please contact your local Martin Professional™ distributor (see www.martin.com/distributors for details) or call the Martin™ 24-hour service hotline on +45 8740 0000, or in the USA on 1-888-tech-180.

Dimensions

VC-Dot 1 Truss Clip

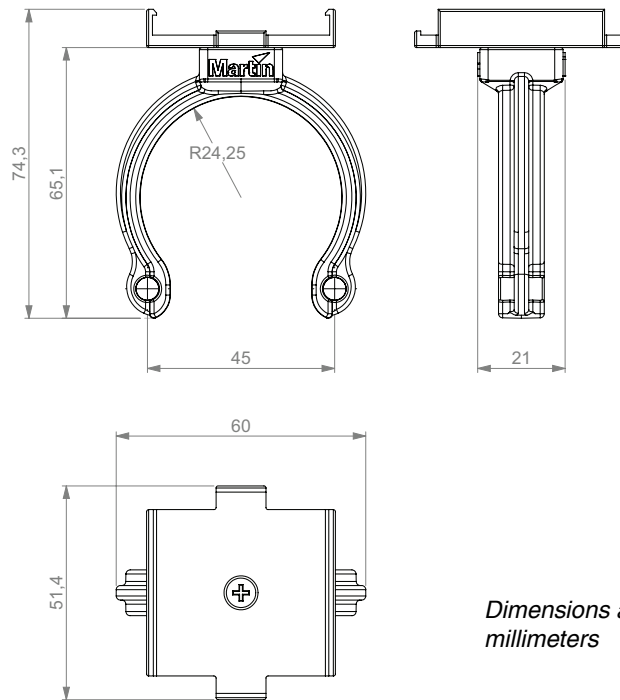


VC-Dot 4 Truss Clip



Dimensions are in millimeters

VC-Dot 9 Truss Clip



Dimensions are in millimeters

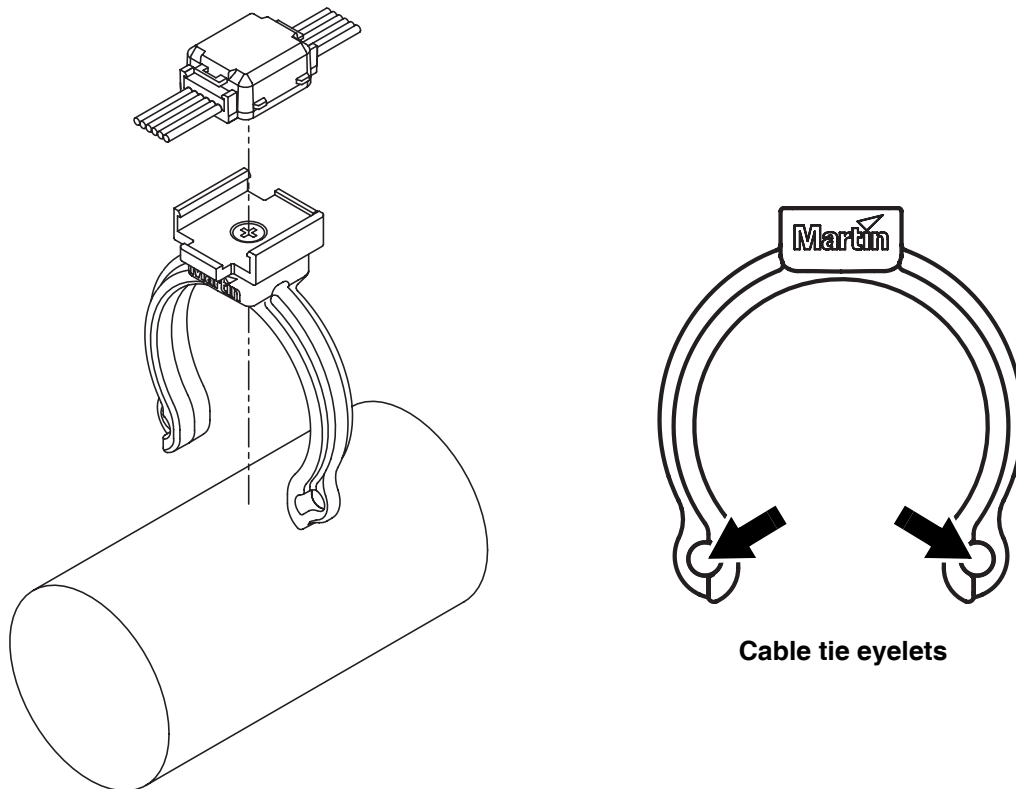


Figure 1. Installing a VC-Dot using a Truss Clip

Introduction

Martin™ VC-Dot Truss Clips allow VC-Dot strings to be clipped over 50 mm rigging truss chords or other 50 mm circular bars.

Clips are available in three sizes to match Martin VC-Dot 1™, VC-Dot 4™ and VC-Dot 9™ products.

Installing VC-Dots using Truss Clips

Besides the Truss Clips, you will need cable ties (not supplied) to secure clips against falling.

To install VC-Dots on a 50 mm truss chord or similar 50 mm diameter circular bar using Martin VC-Dot™ Truss Clips:

1. Check that the installation is isolated from power.
2. See Figure 1. Press VC-Dots into Truss Clips until they snap into place and are held securely.
3. Press the Truss Clips over the truss chords or bars until they snap into place and are held securely.
4. Loop a cable tie through the two eyelets (arrowed) in each Truss Clip and around the truss chord or bar so that it secures the Clip against falling.
5. When all installation work is completed, you can apply power to the installation.



Martin Professional A/S • Olof Palmes Allé 18 • 8200 Aarhus N • Denmark
Tel: +45 8740 0000 • Fax +45 8740 0010 • www.martin.com

© 2013 Martin Professional A/S. Information subject to change without notice. Martin Professional A/S and all affiliated companies disclaim liability for any injury, damage, direct or indirect loss, consequential or economic loss or any other loss occasioned by the use of, inability to use or reliance on the information contained in this document. The Martin logo, the Martin name and all other trademarks in this document pertaining to services or products by Martin Professional A/S or its affiliates and subsidiaries are trademarks owned or licensed by Martin Professional A/S or its affiliates or subsidiaries.

P/N 35000636, Rev. A