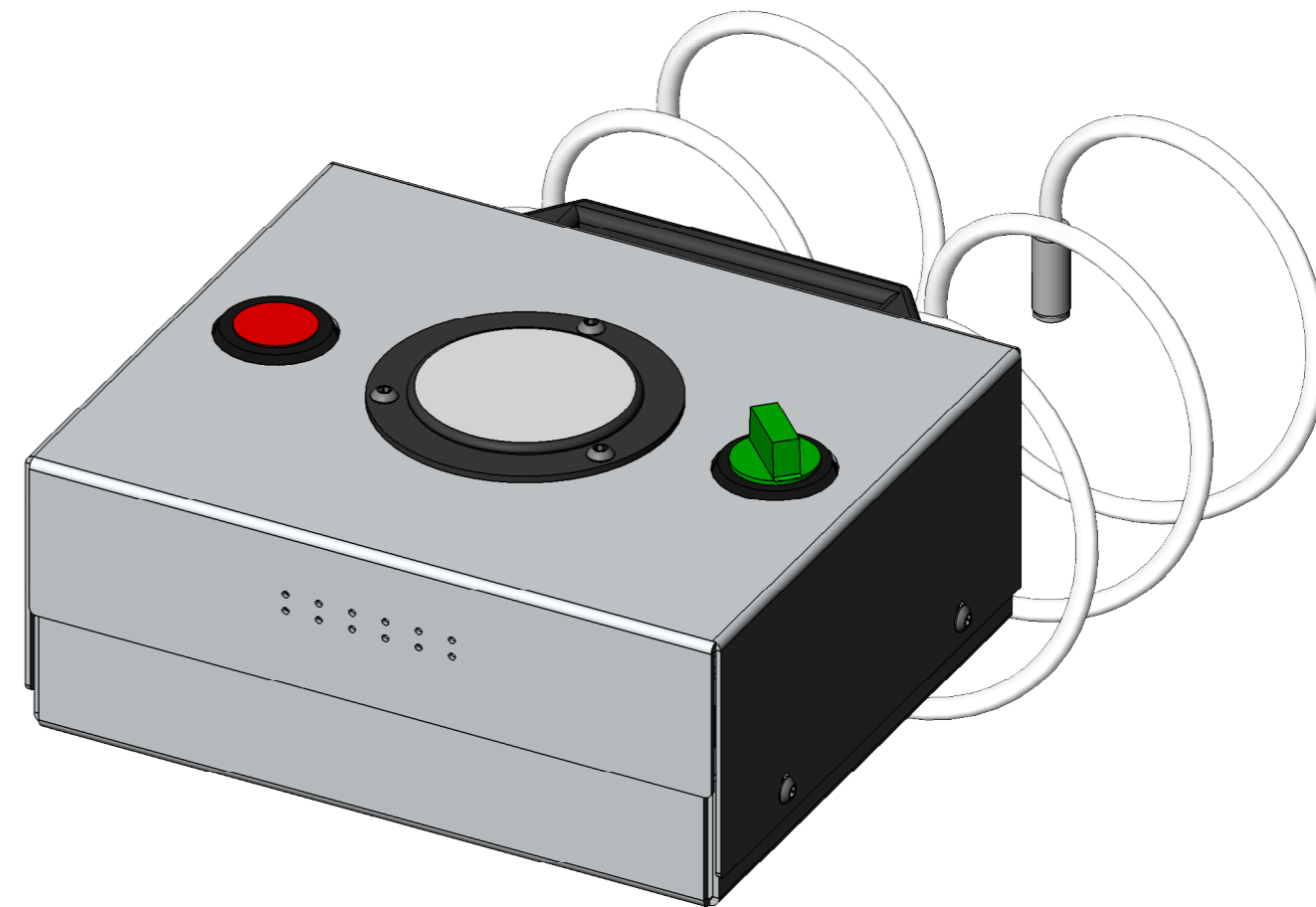
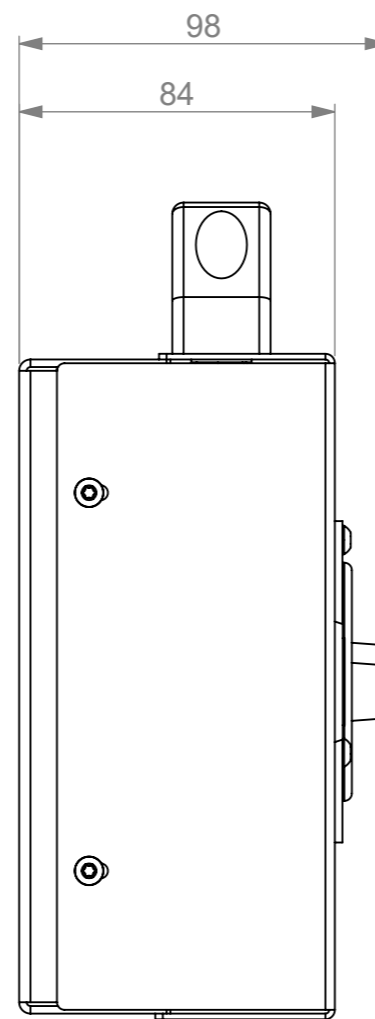
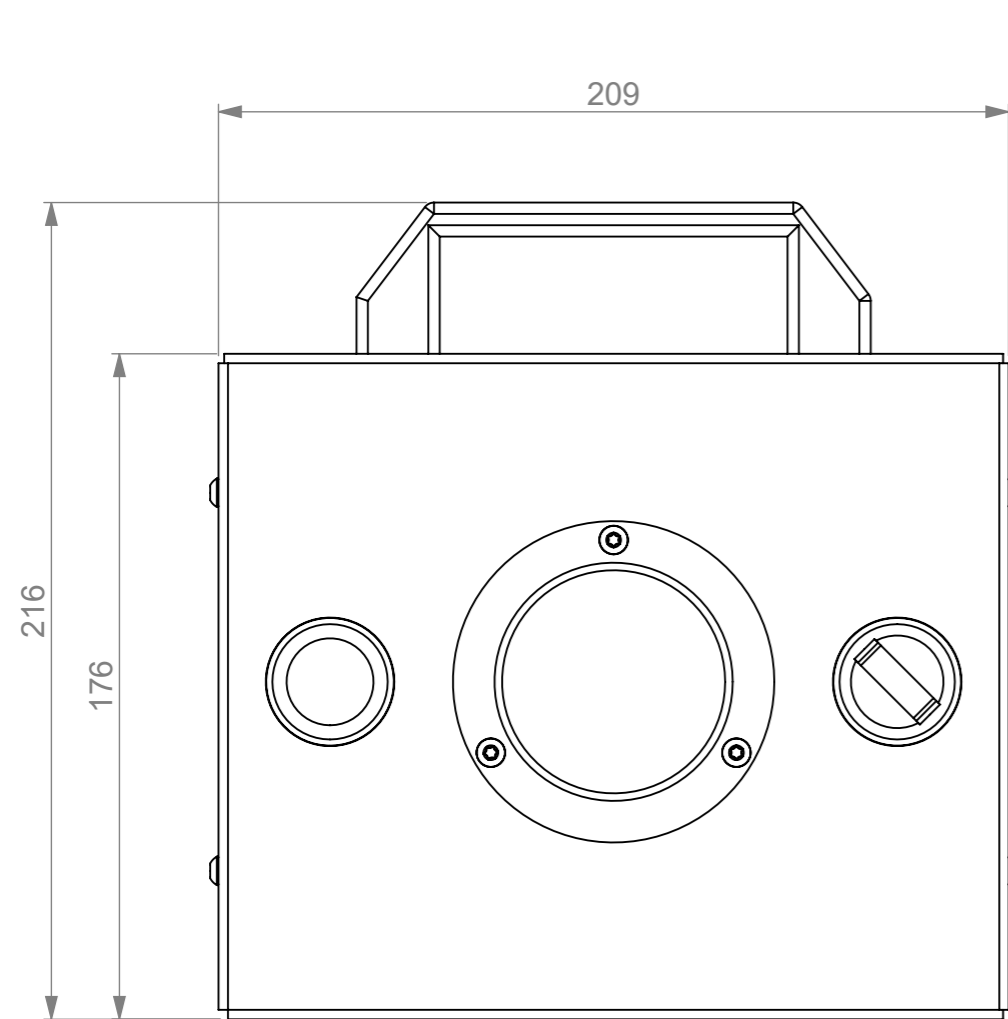
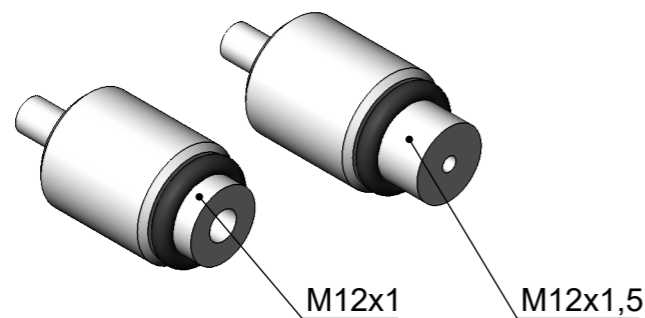


REVISION HISTORY

DATE	REV.	DESCRIPTION	BY
10.09.2019	B	First release	LTousgaard



Incl. adaptor kits



SCALE 1:1

General Technical Specification apply to this item

© 2019 HARMAN Professional Denmark ApS PROPRIETARY AND CONFIDENTIAL PROPERTY OF HARMAN. DO NOT DISCLOSE, REPRODUCE, OR PUBLISH WITHOUT WRITTEN HARMAN APPROVAL.	Material	FIRST ANGLE PROJECTION		HARMAN Professional Denmark ApS Oluf Palmes Allé 44 DK 8200 Aarhus N			
	General linear tolerance				TITLE		
ROHS RESTRICTION OF HAZARDOUS SUBSTANCES ALL MATERIALS USED IN THIS PART MUST BE ROHS COMPLIANT. SUPPLIER SHALL PROVIDE A CERTIFICATE OF ROHS COMPLIANCE WITH THE FIRST ARTICLE.	General angular tolerance	Surface treatment	Vacuum test equipment (EC)				
	General geometrical tolerance	Color	NO. REV				
	DIMENSIONS SHOWN ARE FOR REFERENCE AND INSPECTION ONLY. REFER TO CAD MODEL PROVIDED WITH THIS DRAWING FOR OVERALL DEFINITION OF PART GEOMETRY.		Project number	SIZE A3	SCALE 1:2	UNIT mm	DO NOT SCALE DRAWING