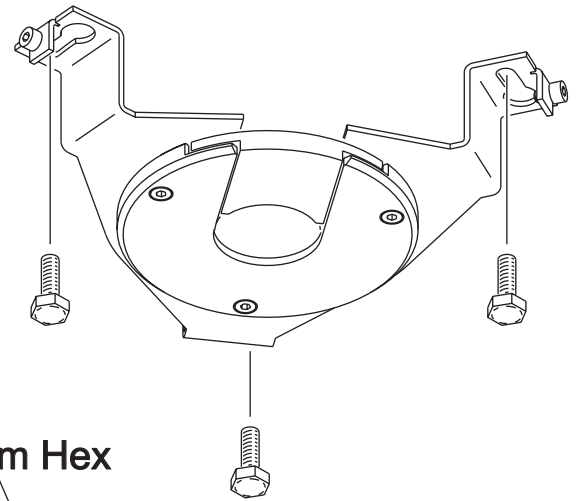
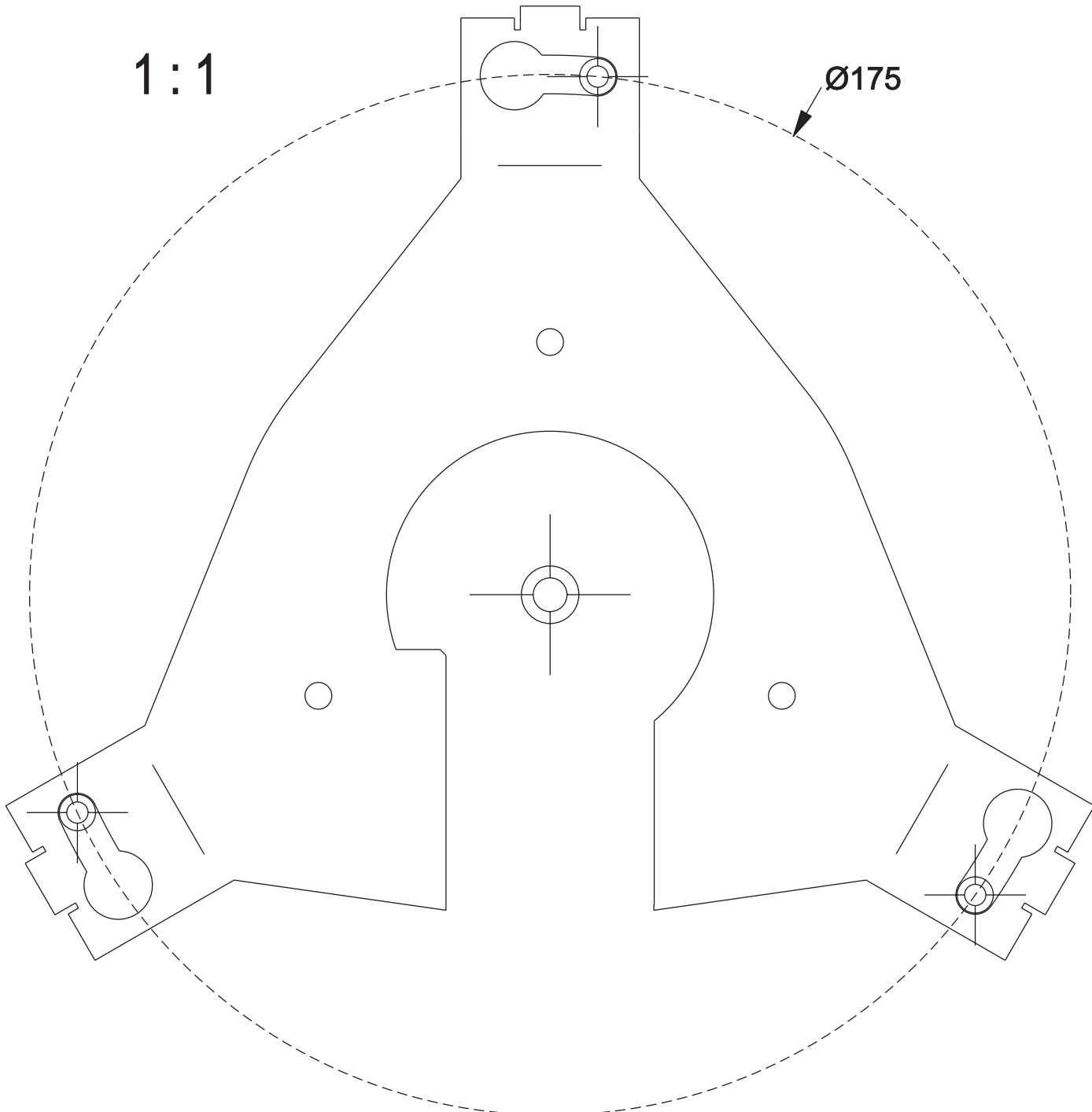
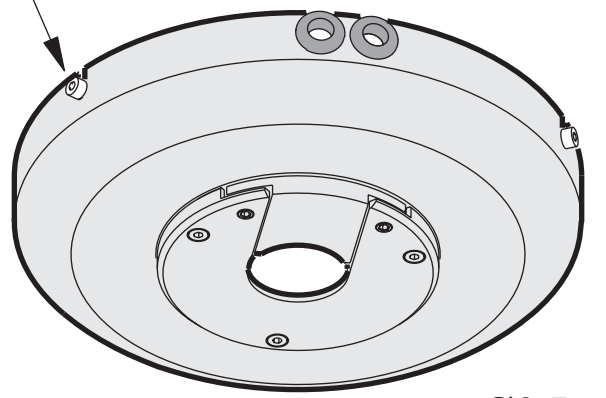


1:1

Ø175

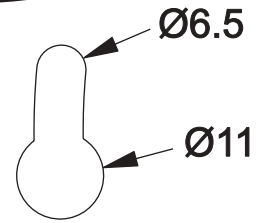


2.5mm Hex



Ø6.5

Ø11



All measurements are expressed in millimeters

Martin		Weight (kg)		
Product	Alien O2 Pendel J-box	Scale	Date	18.03.2004
Description		Sign		NPE
Installation specs				