



The VC-Dot™ Diffuser Domes soften the light output from the VC-Dots™ and create a true 180 degree viewing angle. They are simply "clipped" onto the VC-Dots™.

CONSTRUCTION Material: Injected plastic
Color: Translucent White

LUMINOUS TRANSMITTANCE 47%

WEIGHT VC-Dot 1 Diffuser Dome: 1 g
VC-Dot 4 Diffuser Dome: 2 g
VC-Dot 9 Diffuser Dome: 4 g

RELATED ITEMS	VC-Dot 1™ RGB, 100 mm (3.9 in.) pitch, 100 pcs., 2 m (6.6 ft.) lead-in	P/N 90357060
	VC-Dot 1™ WW, 100 mm (3.9 in.) pitch, 100 pcs., 2 m (6.6 ft.) lead-in	P/N 90357090
	VC-Dot 1™ MW, 100 mm (3.9 in.) pitch, 100 pcs., 2 m (6.6 ft.) lead-in	P/N 90357080
	VC-Dot 1™ CW, 100 mm (3.9 in.) pitch, 100 pcs., 2 m (6.6 ft.) lead-in	P/N 90357070
	VC-Dot 4™ RGB, 200 mm (7.9 in.) pitch, 64 pcs., 2 m (6.6 ft.) lead-in	P/N 90357100
	VC-Dot 4™ WW, 200 mm (7.9 in.) pitch, 64 pcs., 2 m (6.6 ft.) lead-in	P/N 90357130
	VC-Dot 4™ MW, 200 mm (7.9 in.) pitch, 64 pcs., 2 m (6.6 ft.) lead-in	P/N 90357120
	VC-Dot 4™ CW, 200 mm (7.9 in.) pitch, 64 pcs., 2 m (6.6 ft.) lead-in	P/N 90357110
	VC-Dot 9™ RGB, 400 mm (15.7 in.) pitch, 36 pcs., 2 m (6.6 ft.) lead-in	P/N 90357140
	VC-Dot 9™ WW, 400 mm (15.7 in.) pitch, 36 pcs., 2 m (6.6 ft.) lead-in	P/N 90357050
	VC-Dot 9™ MW, 400 mm (15.7 in.) pitch, 36 pcs., 2 m (6.6 ft.) lead-in	P/N 90357160
	VC-Dot 9™ CW, 400 mm (15.7 in.) pitch, 36 pcs., 2 m (6.6 ft.) lead-in	P/N 90357150

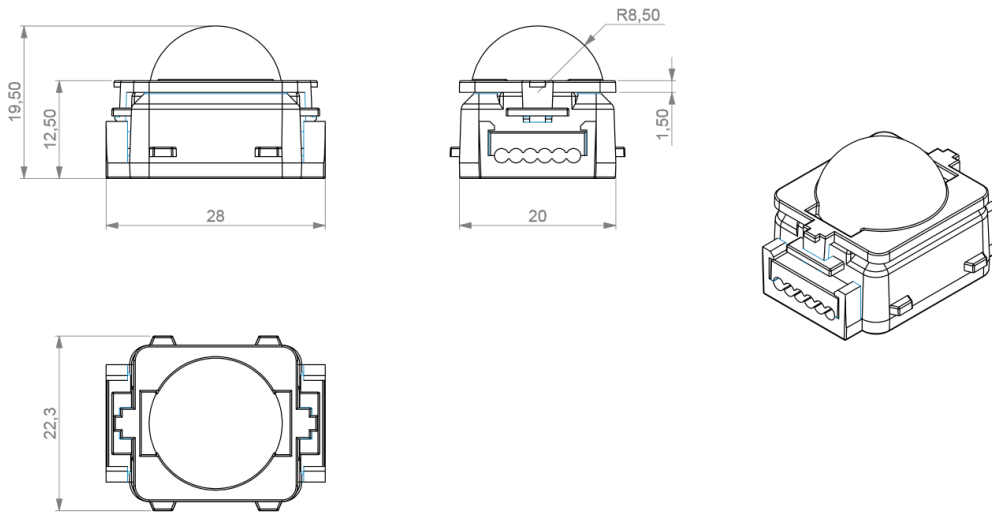
ORDERING INFORMATION	VC-Dot 1™ Diffuser Domes, set of 10	P/N 90357180
	VC-Dot 4™ Diffuser Domes, set of 10	P/N 90357190
	VC-Dot 9™ Diffuser Domes, set of 10	P/N 90357200



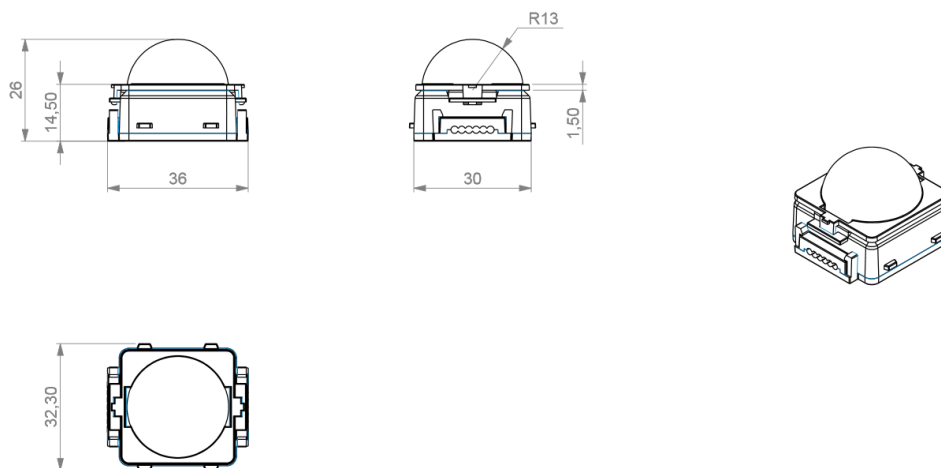
Specifications

VC-Dot™ Diffuser Domes

VC-Dot 1™ with Diffuser Dome



VC-Dot 4™ with Diffuser Dome



Specifications

VC-Dot™ Diffuser Domes

VC-Dot 9™ with Diffuser Dome

