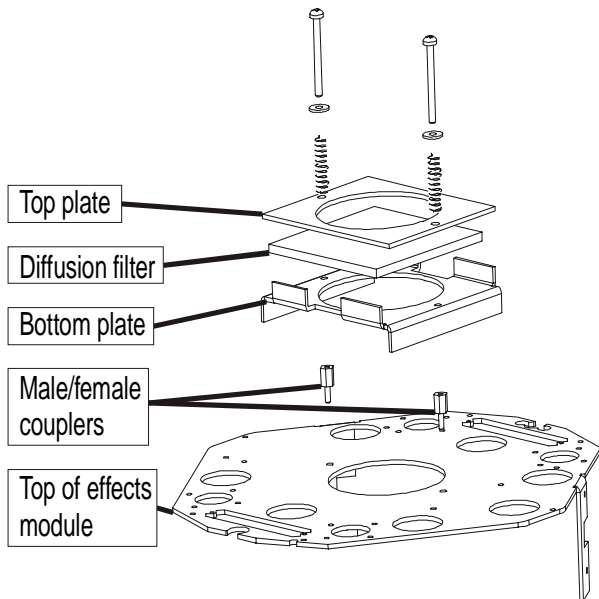


INSTALLING THE MAC 600 DIFFUSION FILTER HOLDER

Upgrade Kit P/N 91611001

The diffusion filter for the MAC 600 provides a flatter beam, less hot spot, and more even color mixing, especially when dimming. The filter holder also permits the user to insert any 90 x 90 mm color filter in the light path. This is useful if both color correction and the colors on the color wheel are needed, or if the user wants to use a different color correction filter than the one provided.



WARNING!

Disconnect the MAC 600 from AC power before proceeding.

Installation

1. Remove the front hood from the head of the MAC 600.
2. On top of the effects module, on either side of the light path, are 2 screws that hold the wheel axles. These must be replaced with the male/female couplers. To prepare, apply a drop of Loctite 243 to the male thread of a coupler.

3. Carefully, so that the axle does not move, remove one of the screws and replace it immediately with the coupler.

Note: if the axle spins when you turn the screw, remove the entire module from the head and tighten the screw on the other end of the axle. The module is secured to the head by 8 metric screws. Apply Loctite 243 to these screws when reinstalling the module.

4. Repeat steps 2 and 3 for the second screw.
5. Place the bottom plate on the module as shown.
6. Place the top plate over the bottom plate.
7. Place a washer and spring on each M4 screw.
8. Apply Loctite 243 to the screws and screw them all the way into the couplers.
9. To insert the diffusion filter, lift the top plate and place the filter between the 2 plates with the textured side facing out, away from the lamp.
10. A 90 mm x 90 mm color filter may be inserted in the holder with or without the diffusion filter. If using the color filter together with the diffusion filter, place the color filter between the diffusion filter and the bottom plate.

If inserting a color filter only, spring tension may be reduced for easier handling by loosening the holder screws, and then retightening, or by removing 1 or 2 coils from the springs.