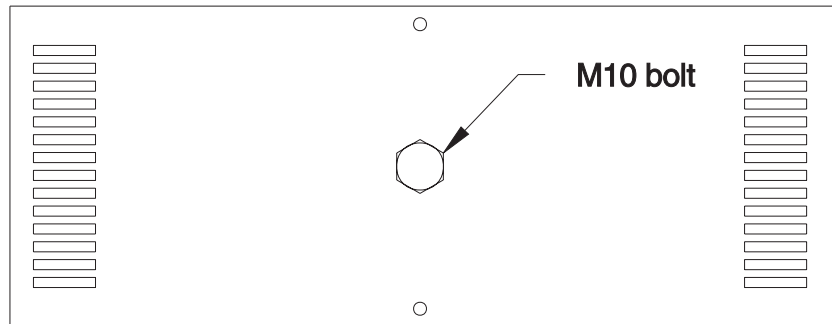
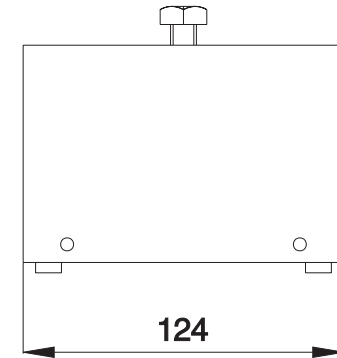
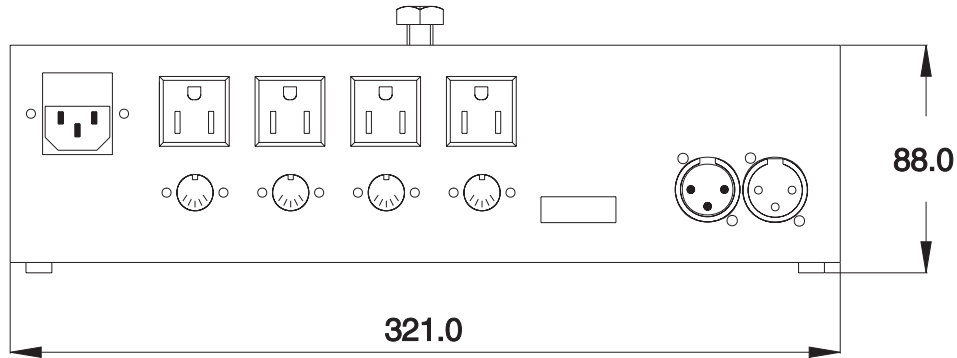
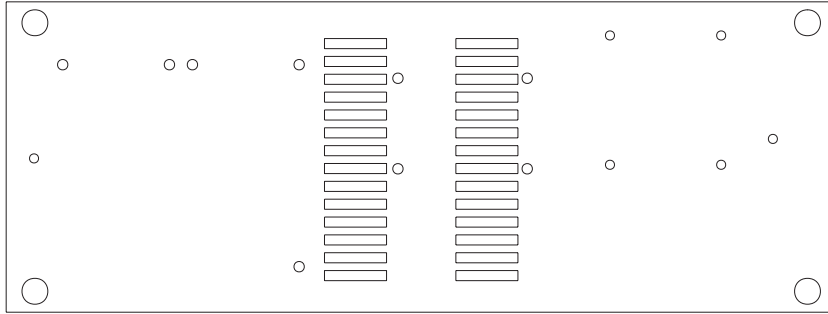


| | | | |
|-------------------------|-------|-----------------|------------|
| Martin | | Weight (kg) | |
| | | 3 | |
| Product | Scale | Date | Sign. |
| RoboColor IIx | | 04/09-97 | NJR |
| Description | | | |
| Dimensions in mm | | | |
| ----- | | P/N | |
| | | 910026 | |



| | | | |
|--------------------|---------------|-------------|----------|
| Martin | | Weight (kg) | |
| | | ---- | |
| Product | RoboColor IIx | Scale | ~ |
| Description | Controller | Date | 14/10-97 |
| | | Sign. | NJR |
| Dimensions in mm | | P/N | |
| | | 915004 | |