

EC™ Series Curving Kit Installation Guide



WARNING! Before installing an EC Series Curving Kit, Read “Safety Information” on page 3 of the EC Series Safety and Installation Guide supplied with EC Series flightcases and available for download free of charge from the EC-20 Support page on www.martin.com.

WARNING! The safety and suitability of lifting equipment, installation location, anchoring method, mounting hardware, suspension structures and electrical installation is the responsibility of the installer. All local safety regulations and legal requirements must be observed when installing and connecting the EC Series Headers.

WARNING! Installation must be carried out by qualified professionals only. Contact your Martin supplier for assistance if you have any questions about how to install this product safely.

EC-20 Headers and panels can be attached horizontally at up to +/- 20° angles to form a convex or concave wall using the EC-Series Curving Kit (P/N 90354270).

Unpacking

The EC Series Curving Kit is supplied in a cardboard box. Curving Kit components can be stored in an EC-20 8-unit Flightcase. Each Kit contains:

- 50 x EC Series Curving Plate Locking Thumbwheels
- 50 x locknuts for thumbwheels
- 25 x EC Series Curving Plates ('Bananas')
- 1 x EC Series Curving Kit Installation & Safety Guide

Side-to-side attachment in a curved wall

To install panels in a curved configuration:

1. See Figure 1. Unscrew the 2.5 mm Allen bolts shown and remove the straight side-to-side alignment cones **B** and washers **A** close to the top and to the bottom of one side of each panel. Store all components for possible re-use.
2. Remove the similar alignment cones from the Headers.
3. Suspend the panels vertically as described in the EC Series user manual.

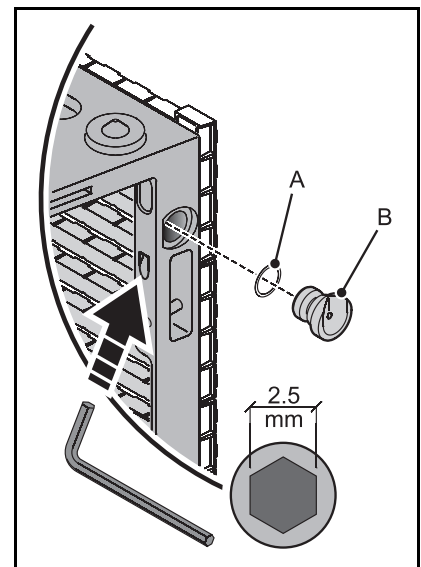


Figure 1: Removing side-to-side alignment cones

4. See Figure 2. Install the thumbwheels **A** supplied in the Kit on the top and bottom profiles of each panel, using the supplied locknuts to secure them in place so that they will not drop out of the panel if loosened too much.
5. Insert two curved plates (or 'bananas') **B** supplied in the Kit in their slots on the top and bottom profiles. Once the correct angle is obtained, lock the columns by tightening thumbwheels **A**.

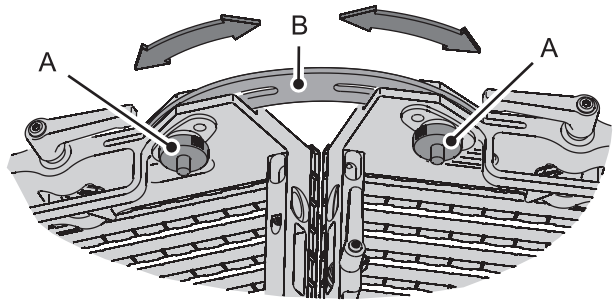


Figure 2: Locking panel angles in a curved array

6. Install curving plates using the same method in the slots in the bottom profile of the Headers.
7. When the installation is disassembled, the thumbwheels **A** can be tightened and left in position but remove the 'bananas' **B** and store them safely in the flightcase for possible re-use.
8. Reinstall the alignment cones (see Figure 1) on the sides of panels and Headers before installing panels in a flat wall.

All EC Series and P3 system controller user documentation is available for download free of charge from the Product Support area at www.martin.com.

Martin[®]

www.martin.com • Olof Palmes Allé 18 • 8200 Aarhus N • Denmark
Tel: +45 8740 0000 • Fax +45 8740 0010