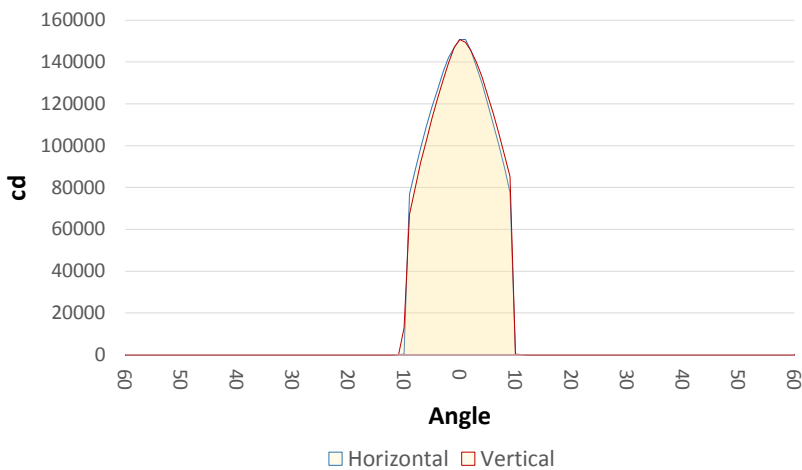


General Specifications:

Typical Max. Fixture Output:	9500 lm
Typical Max. Peak:	150 kcd
Typical Max. Efficacy:	30 lumen/watt
Beam Configuration:	N/A
CRI:	74
Color Temperature:	6500 K



Measurement

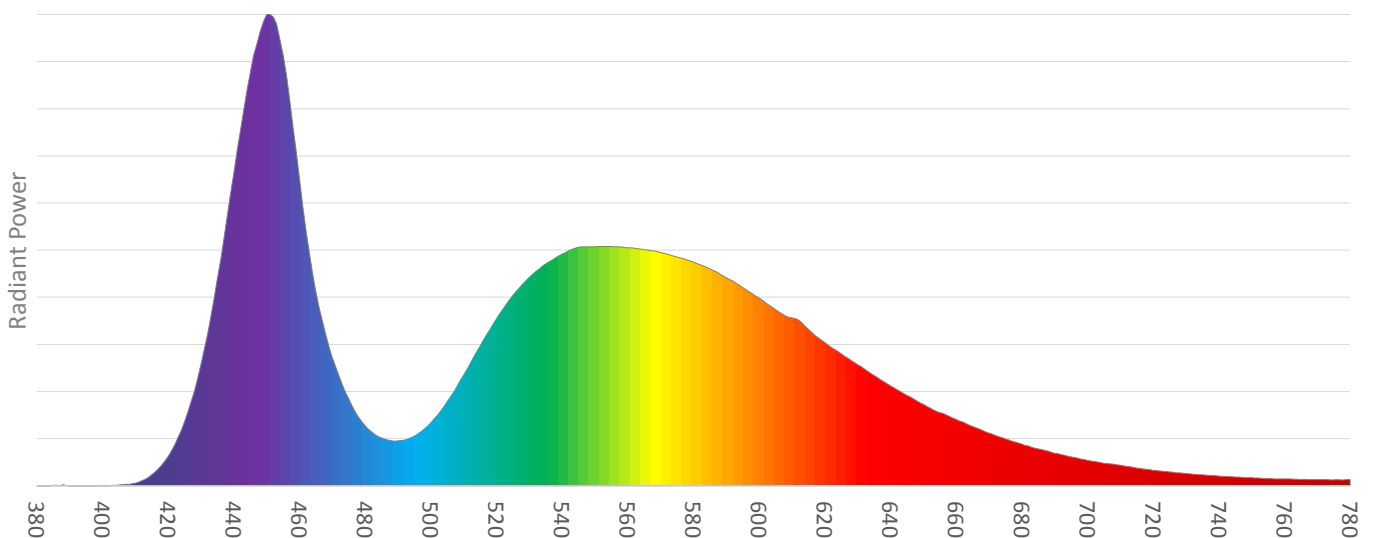


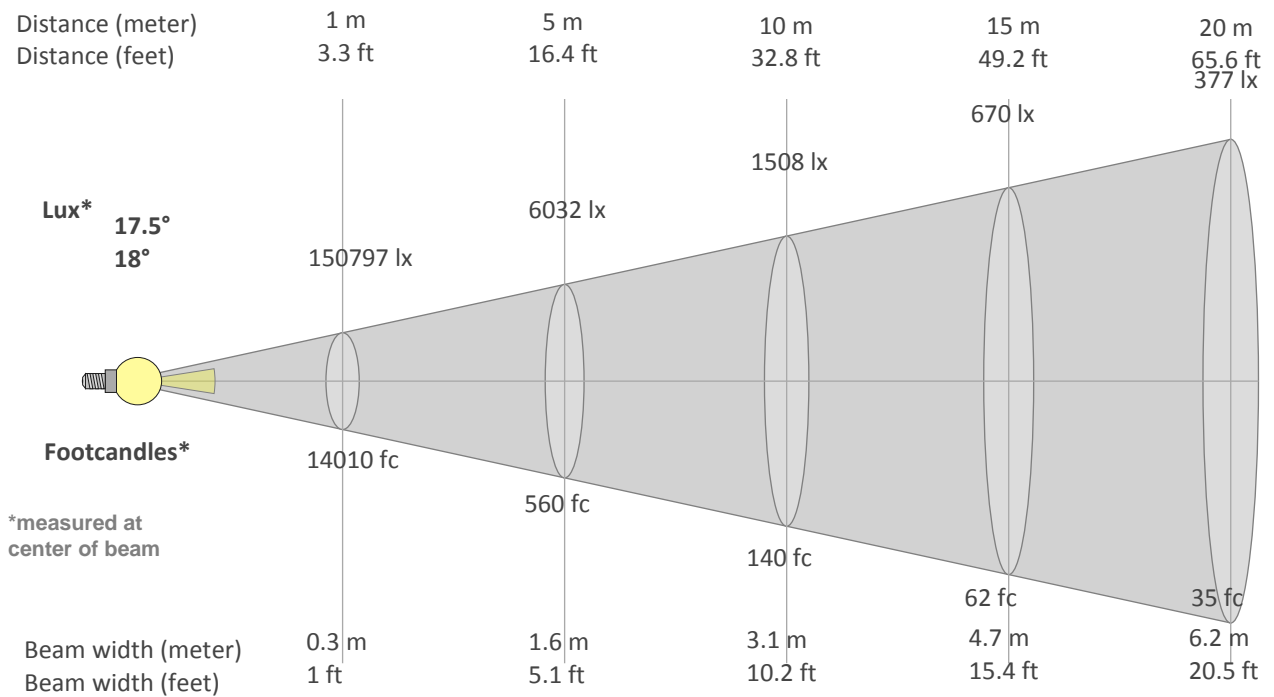
Catalog Number:	9025109547
Measured Output:	9107 lm
Measured Peak:	150822 cd
Consumed Power:	314 W
Efficacy:	29.0 lm/watt

Beam Angle (50%):	17.5°/18°
Field Angle (10%):	19.8°/19.6°
Cutoff Angle (3%):	20.7°/19.9°

Measurement Condition:	
Ambient Temperature:	25 +/- 5 °C
AC Supply:	230V/50Hz

Spectral distribution





Calculation of beam diameter and luminous intensity

Half-peak diameter = 0.3 x distance

Illuminance = 150797 / (distance²)

*distance in [m] for illuminance in [lux]
distance in [ft] for illuminance in [fc]*

Measurements are performed according to CIE S:025 / EN13032-4.