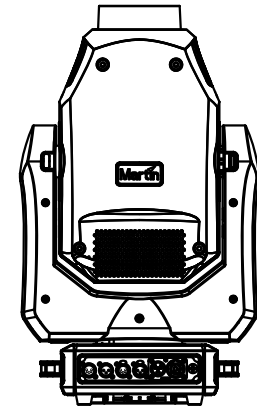
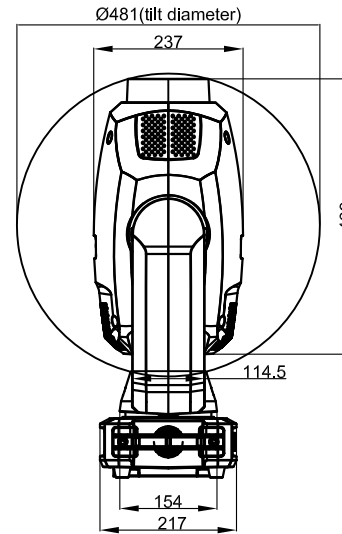
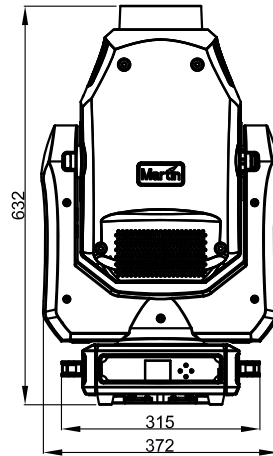
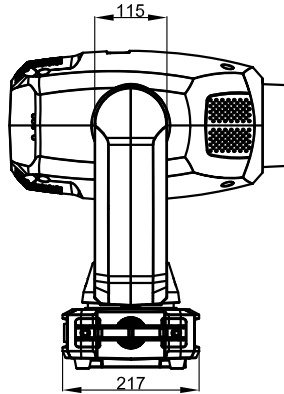
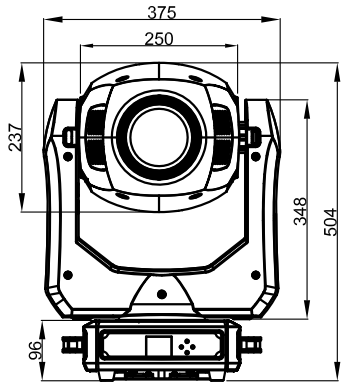
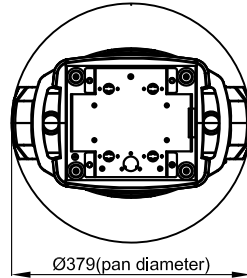
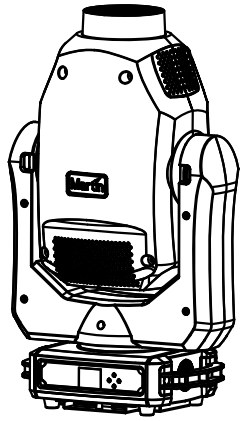


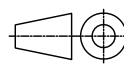
REVISION HISTORY

DATE	REV.	DESCRIPTION	BY
2019/10/07	A	First release	



©2019 HARMAN Professional Denmark ApS
 PROPRIETARY AND CONFIDENTIAL PROPERTY OF
 HARMAN. DO NOT DISCLOSE, REPRODUCE, OR
 PUBLISH WITHOUT WRITTEN HARMAN APPROVAL.

ROHS
 RESTRICTION OF HAZARDOUS SUBSTANCES
 ALL MATERIALS USED IN THIS PART MUST BE
 ROHS COMPLIANT.
 SUPPLIER SHALL PROVIDE A CERTIFICATE OF
 ROHS COMPLIANCE WITH THE FIRST ARTICLE.

Material	FIRST ANGLE PROJECTION 
General linear tolerance	
General angular tolerance	Surface treatment
General geometrical tolerance	Color
DIMENSIONS SHOWN ARE FOR REFERENCE AND INSPECTION ONLY. REFER TO CAD MODEL PROVIDED WITH THIS DRAWING FOR OVERALL DEFINITION OF PART GEOMETRY.	Project number



HARMAN Professional
 Denmark ApS
 Ølof Palmes Allé 44
 DK 8200 Aarhus N

TITLE (Model in view)				
ERA 400 Performance				
NO.		REV		
SIZE	SCALE	UNIT	DO NOT SCALE DRAWING	SHEET OF
A4	1:13	mm		1 1

General Technical Specification apply to this item