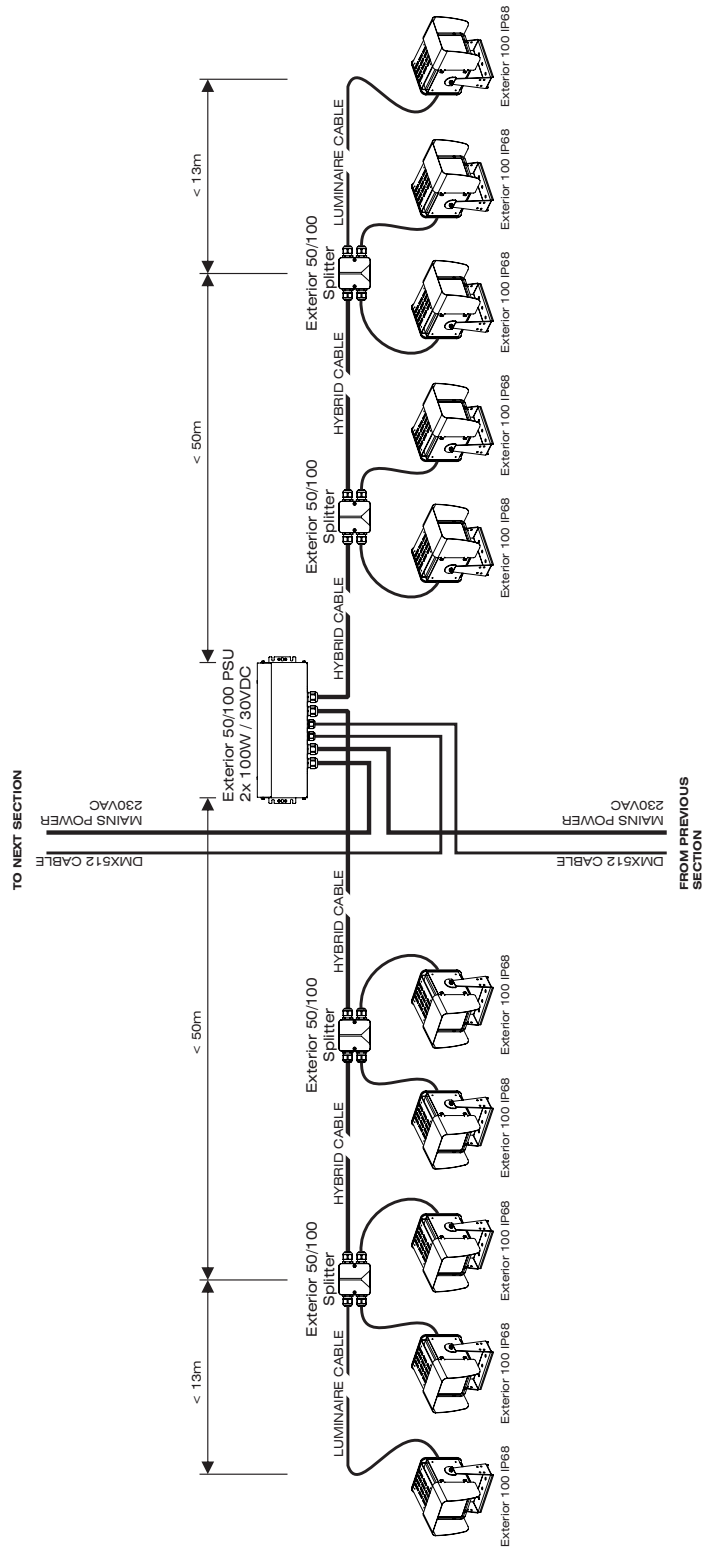
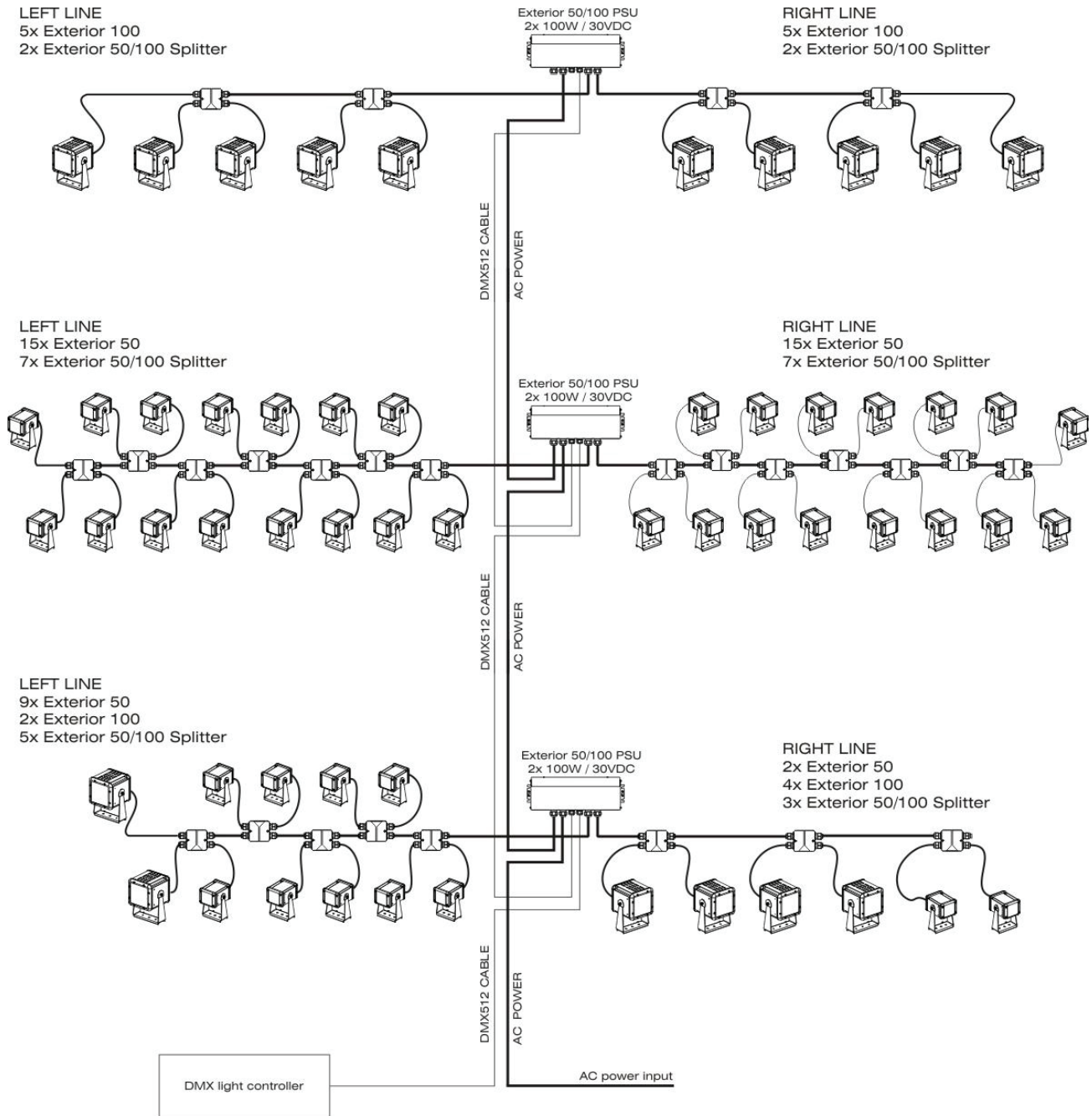


# Exterior 50 & 100 IP 68™ Single group system layout



# Exterior 50 & 100 IP 68™ Multiple group system layout



Supplement to the Martin™ Exterior 50 and 100 IP68™ user manual: read the user manual and follow the warnings and directions it contains.