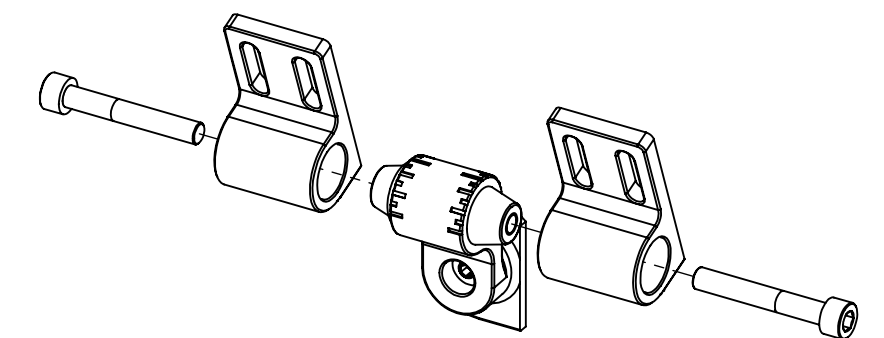


Mounted with
Glare shield (left side)

SCALE 1:5



Rev.	Date	Resp.			
B	07.01.2019	Itousgaard			
A	12.03.2018		First release		
Rev.	Date	Resp.	CO no. / Comment		
			First used in	Material	
Item to be				General linear tolerance	
Item to be				General angular tolerance	
Item to be				Color	Format
				A2	Scale
				1:2	Unit
				mm	Item no.-Rev.
Description					
Exterior Linear 1200 RGBW / 1220 CTC Graze					

