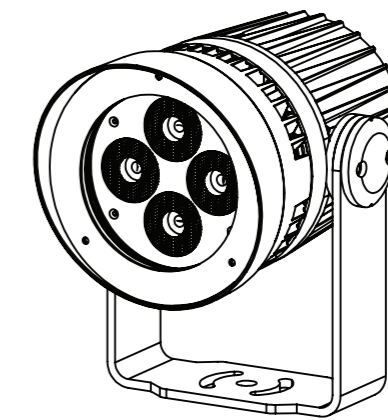
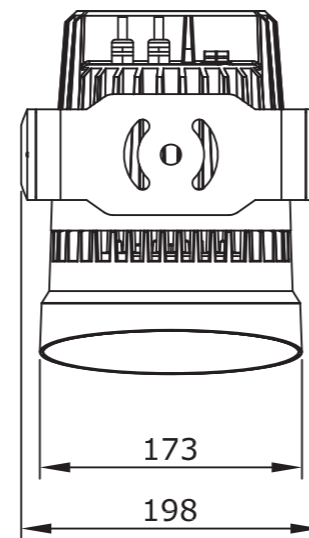
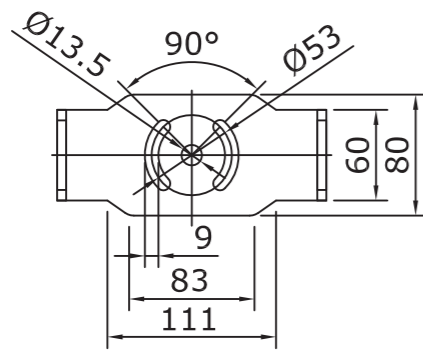


Exterior Wash 100/120



Exterior Wash 110

A	23.08.2018	rd_lto	First release							
Rev.	Date	Resp.	CO no. / Comment							
			First used in		Material					
Item to be					General linear tolerance					
Item to be					General angular tolerance					
Item to be					Color		Format	Scale	Unit	
					A3		1:5	mm		
Description					Item no.-Rev.					
Exterior Wash 100 Series										

