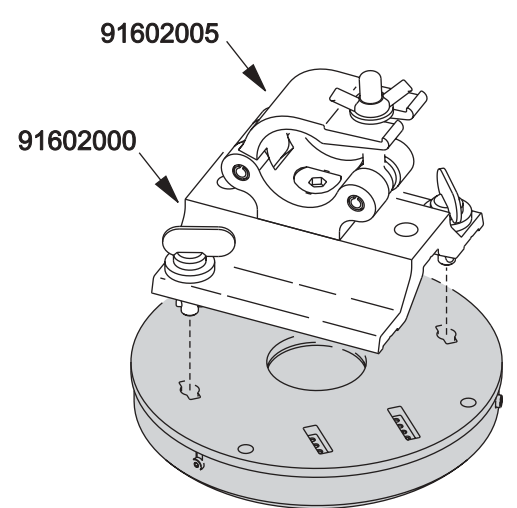
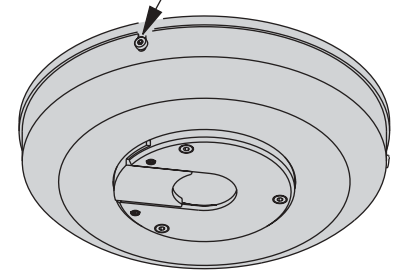
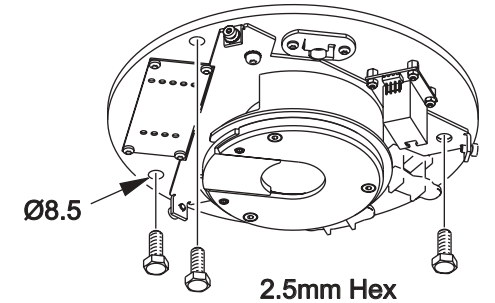
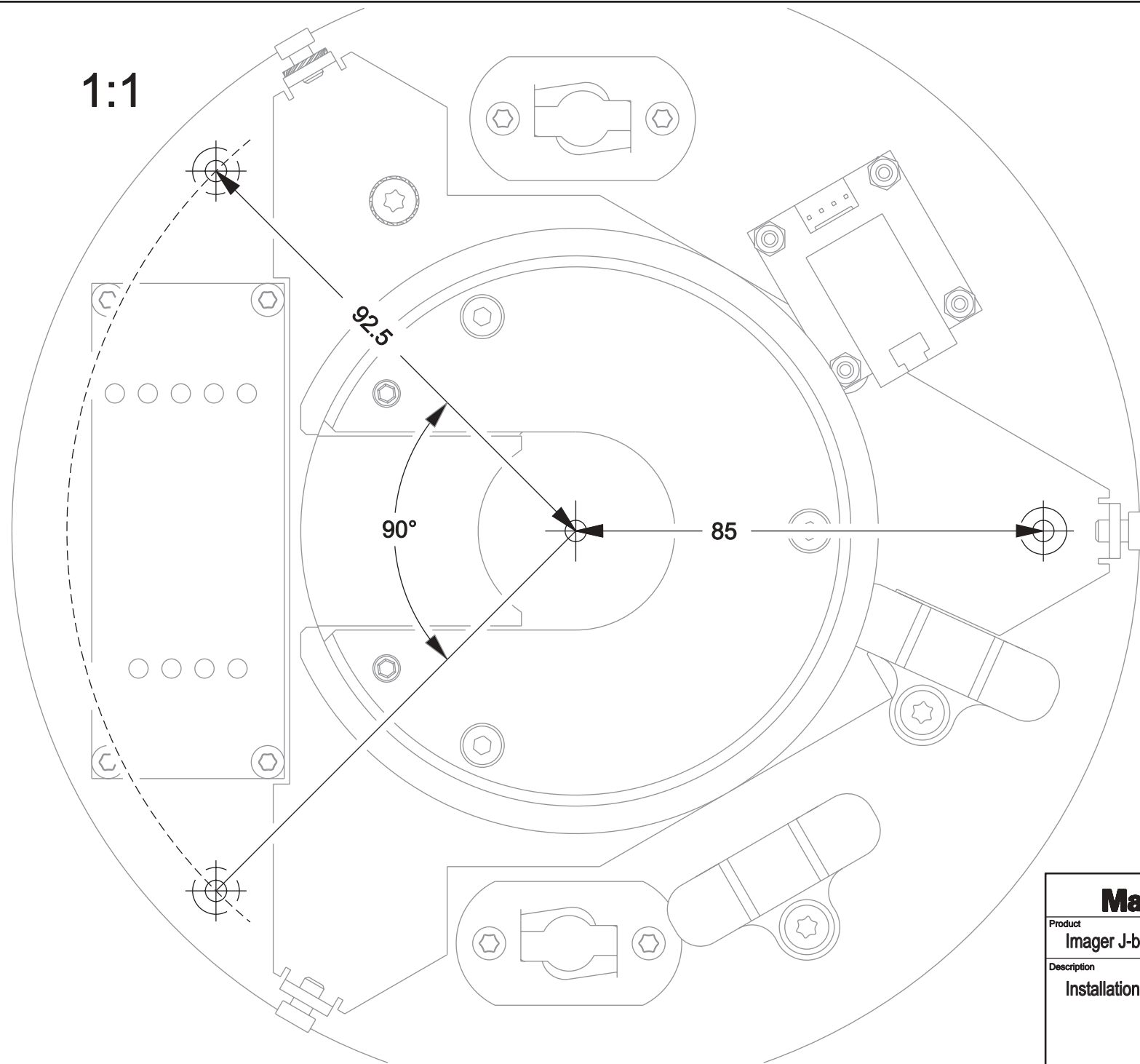


1:1



All measurements are expressed in millimeters

<b>Martin</b>		Weight (kg)	
Product	Imager J-box	Scale	Date 18.03.2004 Sign NPE
Description	Installation specs		