

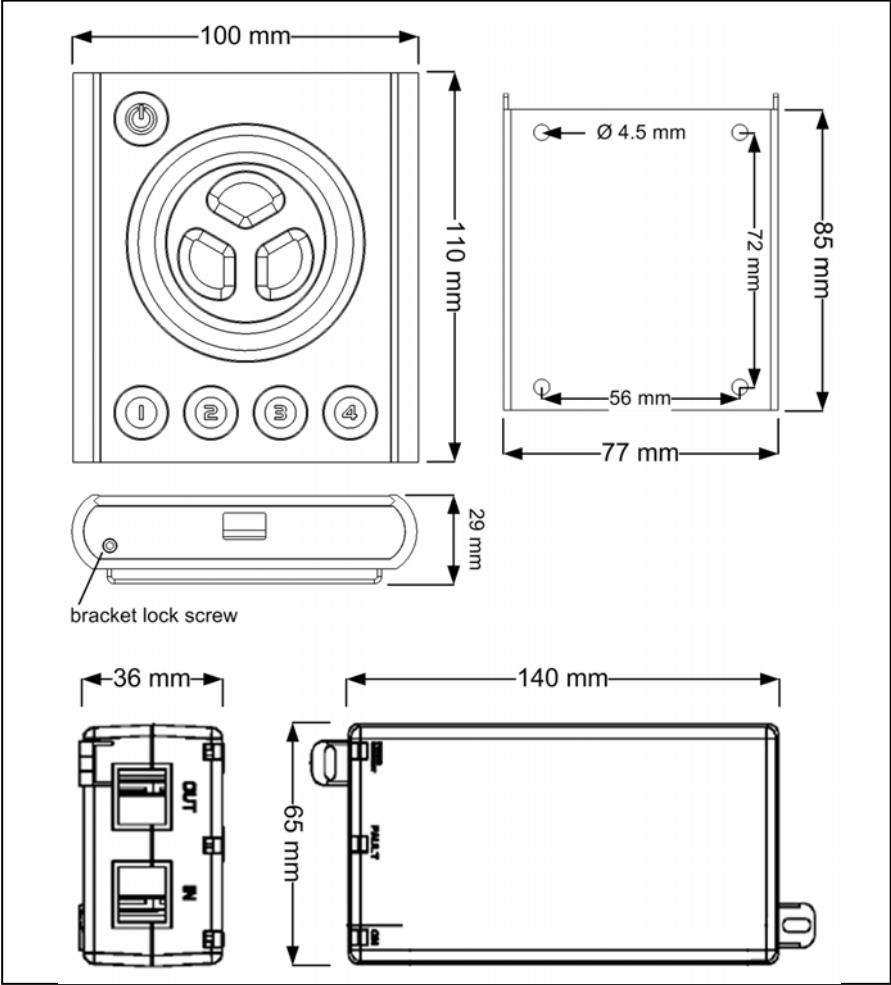
# ColorFox 100

installation guide



**Martin**

# Dimensions



# Contents

|                         |    |
|-------------------------|----|
| Dimensions .....        | 2  |
| Safety Information..... | 4  |
| Introduction .....      | 5  |
| Installation.....       | 6  |
| Connections.....        | 7  |
| Setup.....              | 9  |
| Troubleshooting .....   | 14 |
| Specifications.....     | 15 |

# Safety Information

**Warning! This product is not for household use.**

Read this manual before installing and operating the controller, follow the safety precautions listed below, and observe all warnings in this manual.

## Preventing electric shocks



Always ground (earth) the power supply.

Use only a source of AC power that complies with local building and electrical codes, and that has both overload and ground-fault protection.

If the controller or power supply are in any way damaged, defective, wet, or show signs of overheating, disconnect the power supply from AC power and contact Martin Service for assistance.

Do not install or use the device outdoors. Do not spray with or immerse in water or any other liquid.

Do not remove any covers or attempt to repair the controller or power supply. Refer any service to Martin.



### Disposing of this product

Martin products are supplied in compliance with Directive 2002/96/EC of the European Parliament and of the Council of the European Union on WEEE (Waste Electrical and Electronic Equipment), as amended by Directive 2003/108/EC, where applicable.

Help preserve the environment! Ensure that this product is recycled at the end of its life. Your supplier can give details of local arrangements for the disposal of Martin products.

# Introduction

## About the ColorFox 100

The ColorFox 100 is a revolutionary new lighting controller for DMX controllable color changing lights. Programmed with each fixture's unique color curve, it provides the simplest, yet most powerful interface ever developed to control and match colors from multiple sources.

## Package contents

The ColorFox 100 package contains the following items.

- ColorFox 100 Controller
- 48 V Power over Ethernet (POE) power supply
- CD-ROM with documentation and *pixmove* software
- 5 m UTP patch cable
- 1.5 m USB cable

## About this document

This guide describes how to install and set up the ColorFox 100 controller.

For a description of how to operate the controller, please refer to the *ColorFox 100 Quick Guide*.

For help with *pixmove*, refer to the program's online help.

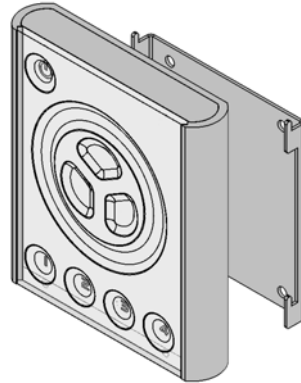
For installation and setup of lighting devices, please refer to their user manuals.

# Installation

## Controller and bracket

The ColorFox 100 is designed to be wall-mounted using the included bracket. To mount:

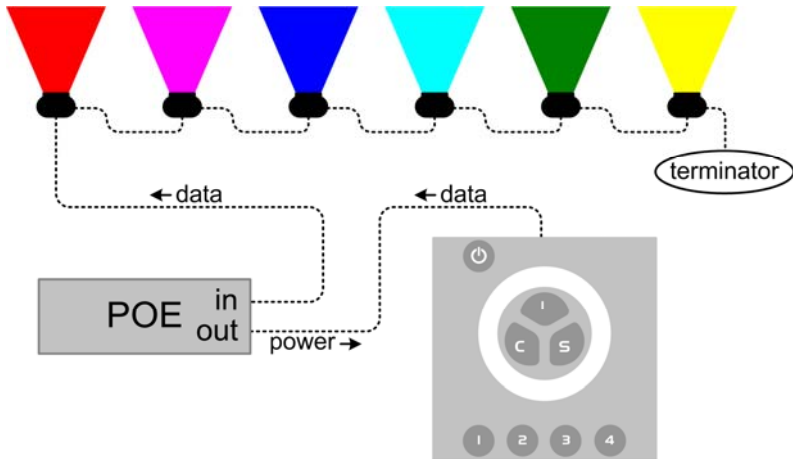
1. Loosen the set screw on the bottom of the ColorFox 100 with a 2 mm hex wrench and remove the wall bracket.
2. Center the bracket on the desired mounting position with the hooks pointing up.
3. Fasten the bracket to the wall with four suitable screws (not included).
4. Plug the included 5 m UTP patch cable into the RJ-45 socket on the back of the controller.
5. Place the controller on the bracket and slide it down over the hooks.
6. Tighten the set screw a few turns to hold the controller in place. **Do not over tighten: stop as soon as you feel light resistance!**



## Power supply

Install the power supply in a dry location within a 40 meter cable run of the controller.

# Connections



## Controller to power supply

Connect a UTP patch cable (provided) between the RJ-45 socket on the back of the controller and the **OUT** socket on power supply **before** connecting the power supply to AC.

When power is applied to the power supply, all 3 LEDs will light for 2 seconds and then the "ON" LED will illuminate green. The "CONNECT" LED illuminates green when the controller is connected and receiving power.

## Power supply to lights

Connect another UTP patch cable (not included) between the power supply's **IN** socket and the DMX input on one of the lights. If the light does not have an RJ-45 socket, you will need a 3-pin or 5-pin XLR-to-RJ45 adaptor that connects the pins as shown below.

| <b>XLR pin</b> | <b>RJ45 pin</b> | <b>Function</b> |
|----------------|-----------------|-----------------|
| 1              | 7, 8            | signal common   |
| 2              | 2               | data -          |
| 3              | 1               | data +          |
| 4, 5           | no contact      | not used        |

Connect the lights together in a serial chain, output to input. Connect no more than 32 lights and keep the total cable run to 300 m (1000 ft.) or less. If the application exceeds these limits, DMX splitter/amplifiers may be used after the power supply to increase the cable run and/or number of lights.

## Line terminator

Terminate the end of the data line to prevent reflections that can distort the signal. This is usually accomplished by inserting a suitable 120 ohm termination plug into the DMX output of the last fixture in the line.

## AC power supply cable plug



***Warning: Risk of electric shock! Plug installation shall be performed by a qualified electrician.***

A grounding-type (earthed) power plug that fits the local power outlet must be installed on the AC cable for the power supply. Alternatively, you can acquire an IEC power cable with a suitable grounding-type plug from most consumer electronics stores.

When installing the plug connect pins as follows:

- yellow and green wire to ground (earth)
- blue wire to neutral
- brown wire to live



# Setup

## Introduction

The included *pixmove* software allows you to

- configure the ColorFox 100 for use with specific lighting fixtures,
- create and load lighting designs, and
- update fixture profiles and controller firmware.

This section describes how to configure the controller. The other features are described in the *pixmove* help file.

## Software installation

*pixmove* requires Windows XP. Install the software as follows:

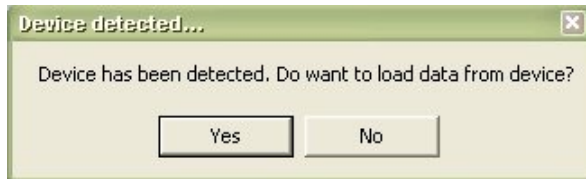
1. Place the CD-ROM in the drive. If autoplay is enabled, an installation dialog opens automatically after loading the CD-ROM.
2. If the installation dialog does not open, you must run the **boot.bat** file on the CD-ROM. Select **Run** from the **Start** menu, enter [CD-ROM drive letter]:boot.bat, and click **OK**.
3. From the installation menu, select whether you want to download and install the latest version of the software from the Internet (recommended), or the version on the CD-ROM.
4. Review and acknowledge the user agreement. Click **Next**.
5. The installation wizard opens. Follow the instructions on screen to complete the process.

## Fixture setup

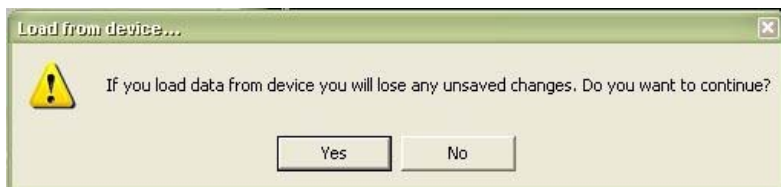
Though sometimes called “intelligent” lights, lighting fixtures can not identify themselves to the controller. **Before first use, and whenever changes are made to the lighting installation, the controller must be configured with the number and types of connected lights.**

Configure the controller as follows.

1. If you have not already done so, install the *pixmove* software.
2. Start *pixmove*.
3. Connect the ColorFox 100 to any USB port on the computer using the included USB cable. **Do not connect the controller to the PC before the software is installed.**
4. Within a few seconds, the computer detects the controller and asks whether you want to load data from the device. Click **Yes**.



5. The next prompt alerts you that loading data will cause any unsaved changes to be lost. Click **Yes** to continue.

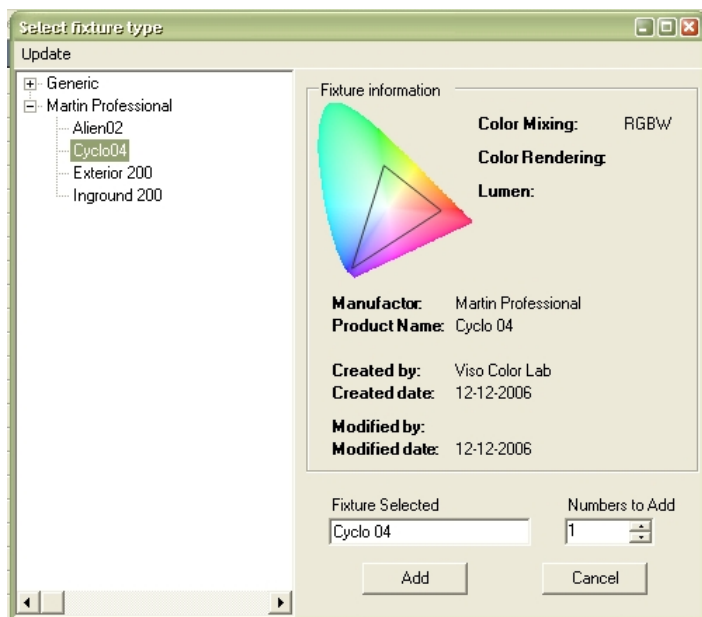


- Click **Setup > Fixture setup** from the main menu. The **Fixture setup** dialog opens.



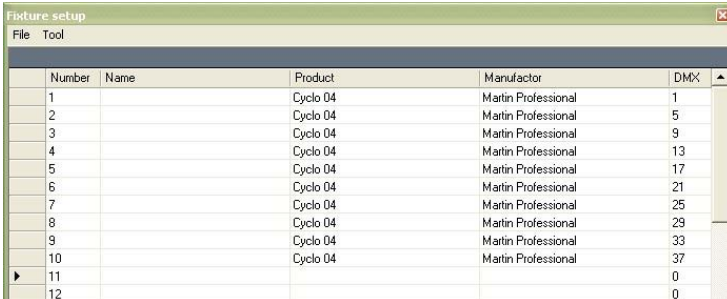
| Number | Name | Product                     | Manufacturer | DMX |
|--------|------|-----------------------------|--------------|-----|
| 1      |      | sRGB (Standard RGB fixture) | Generic      | 1   |
| 2      |      | sRGB (Standard RGB fixture) | Generic      | 4   |
| 3      |      | sRGB (Standard RGB fixture) | Generic      | 7   |
| 4      |      | sRGB (Standard RGB fixture) | Generic      | 10  |
| 5      |      | sRGB (Standard RGB fixture) | Generic      | 13  |

- If configuring the ColorFox 100 for the first time, delete the pre-loaded fixture setup. Select **Tool > Clear all** from the dialog menu.
- Add fixtures to the setup. Select **Tool > Add fixture(s)** from the dialog menu. Double-click the manufacturer name in the **Select fixture type** dialog, then click the model. Enter the quantity of fixtures of this type in the **Numbers to Add** field. Click **Add**.



9. The quantity of fixtures is inserted starting at the cursor location. The following fields are displayed:

- fixture number (1 to 100)
- fixture name (user designated)
- fixture type
- fixture manufacturer
- fixture DMX channel



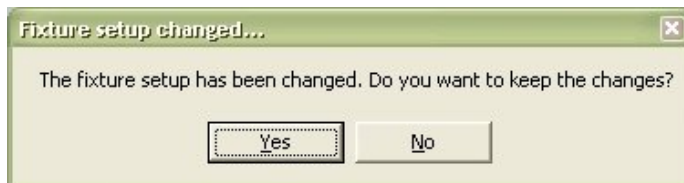
| Number | Name | Product  | Manufacturer        | DMX |
|--------|------|----------|---------------------|-----|
| 1      |      | Cyclo 04 | Martin Professional | 1   |
| 2      |      | Cyclo 04 | Martin Professional | 5   |
| 3      |      | Cyclo 04 | Martin Professional | 9   |
| 4      |      | Cyclo 04 | Martin Professional | 13  |
| 5      |      | Cyclo 04 | Martin Professional | 17  |
| 6      |      | Cyclo 04 | Martin Professional | 21  |
| 7      |      | Cyclo 04 | Martin Professional | 25  |
| 8      |      | Cyclo 04 | Martin Professional | 29  |
| 9      |      | Cyclo 04 | Martin Professional | 33  |
| 10     |      | Cyclo 04 | Martin Professional | 37  |
| 11     |      |          |                     | 0   |
| 12     |      |          |                     | 0   |

10. Repeat step 8 for each type of fixture. The ColorFox 100 may be configured with up to 10 types of fixtures and a total of up to 100 lights.

11. (Optional) You can enter names for the fixtures in the **Name** column to help identify them.

12. (Optional) If you want to save the fixture setup on the computer, select **File > Save to file** from the dialog menu. Select the file location and name in the **Save** dialog and click **OK**.

13. Close the **Fixture setup** dialog. Click **Yes** at the prompt to keep the changes.

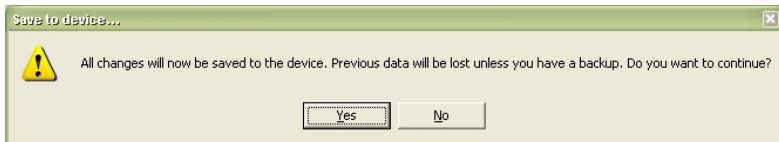


14. The fixture setup must now be saved to the controller.

- Click either **Device** or **File** in the main window.



- Click **Save to device**.
- Click **Yes** at the confirmation prompt.



15. The Colorfox 100 is now configured and ready for use. **Before operation, the lights must be set to the DMX addresses assigned in the Fixture setup dialog.**

# Troubleshooting

| Problem   | Probable Cause   | Solution   |
|---|--|--|
| No response from controller when on/off button is pressed           | Cables reversed at power supply                              | Verify that patch cable from controller is connected to power supply's <b>OUT</b> socket |
| Dynamic designs do not execute when a preset button is pressed      | Other lighting settings have been saved in the preset memory | Press and hold the preset button for about 4 seconds until the controller sounds twice   |
| One or more lights has the wrong color, flashes, or blinks randomly | Interference in DMX data line                                | Verify that the end of the data line is terminated                                       |
|   | Data line length or fixture limit exceeded                   | Add a DMX splitter/amplifier to the data line  |
| Lights do not respond to controller                                 | Incorrect fixture setup                                      | Configure controller   |
|   | Fixtures addressed incorrectly                               | Verify that fixtures are addressed as per the <b>Fixture setup</b> dialog                |

# Specifications

## Physical

|                             |                   |
|-----------------------------|-------------------|
| Dimensions (L x W x H)..... | 110 x 100 x 29 mm |
| Weight .....                | 240 g             |

## Electrical

|                          |                          |
|--------------------------|--------------------------|
| Power supply input ..... | 100 to 240 VAC, 50/60 Hz |
| Controller input .....   | 48 VDC                   |
| Power consumption .....  | 2 W                      |

## Control and programming

|                                       |         |
|---------------------------------------|---------|
| Control interface .....               | DMX 512 |
| Control channels.....                 | 512     |
| Maximum number of fixture types ..... | 10      |
| Maximum number of fixtures .....      | 100     |
| Recallable memories (presets).....    | 4       |

## Connections

|                               |            |
|-------------------------------|------------|
| AC power (power supply) ..... | IEC 3-pin  |
| PC.....                       | USB mini-B |
| DC power in/DMX data out..... | RJ-45      |

## Approvals

|                    |                           |
|--------------------|---------------------------|
| Power supply ..... | cUL/UL, CE, CCC, TUV, FCC |
| Controller .....   | CE                        |

## Ordering information

|                               |              |
|-------------------------------|--------------|
| ColorFox 100 Controller ..... | P/N 90734500 |
|-------------------------------|--------------|