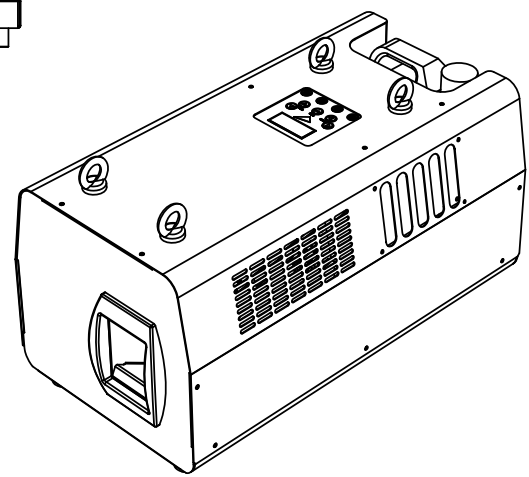


DETAIL A
SCALE 1 : 3

Dual Dimensions
(Inches / mm)



Approved by

-A 19/06/2015		M.D	First Release		
Rev.	Date	Resp.	CO no. / Comment		
Martin™		First used in	Material		
-		-	-		
Item to be		General linear tolerance ISO 2768			
-		-			
Item to be		General angular tolerance ISO 2768			
-		-			
Item to be		Colour	Format	Scale	Unit
-		Black Ral# 9005	A4	1:6	mm
Description					Item no.-Rev.
Jem Hazer Pro - Eye Bolt Dimensions					92225940 - 230V 92225945 - 120V

