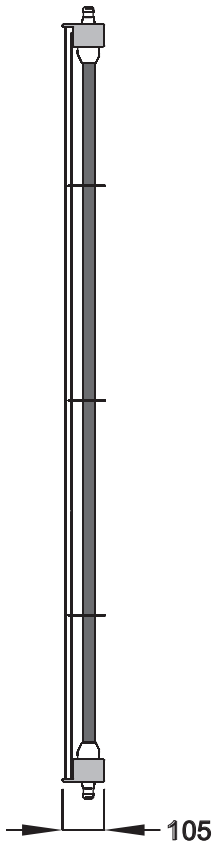
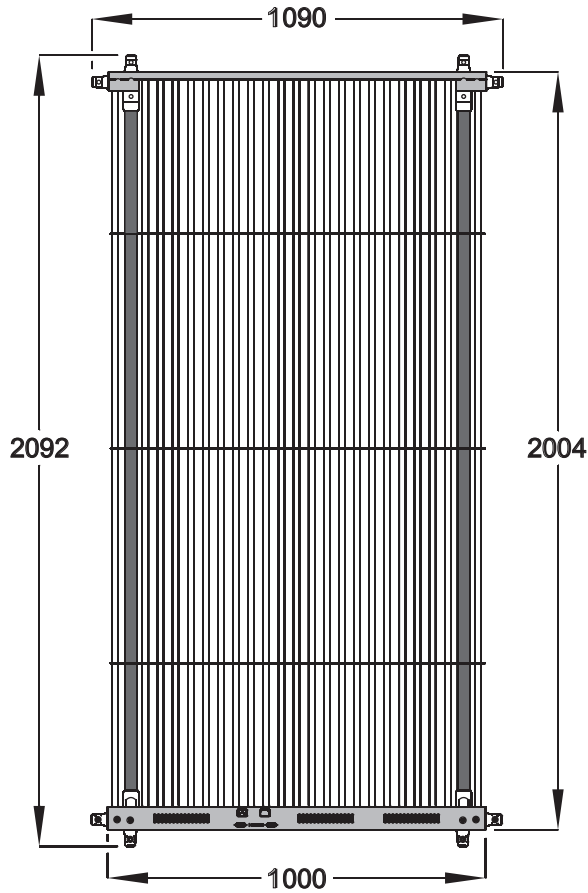


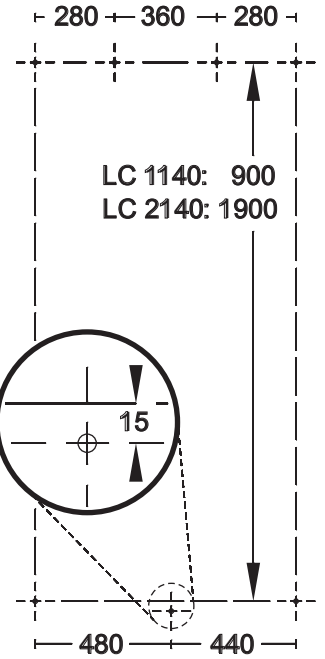
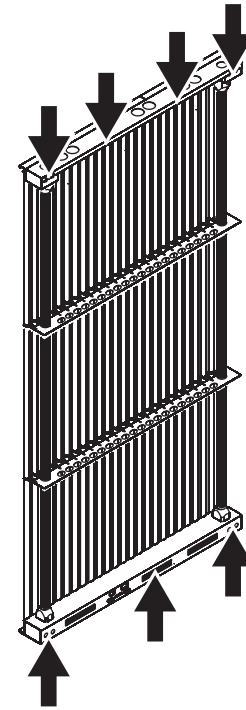
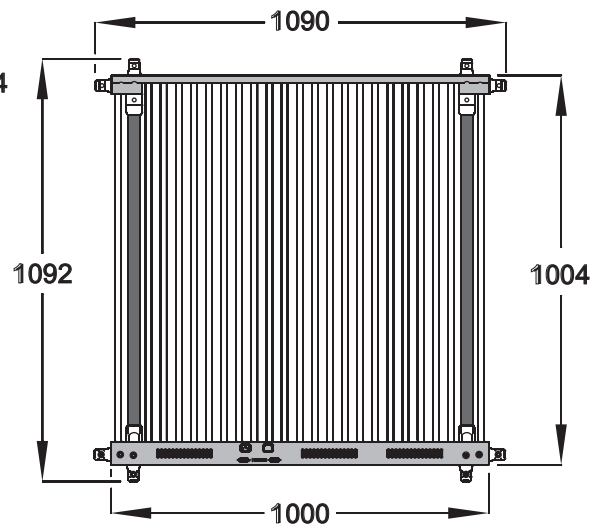
LC 2140
/ 1140



LC 2140



LC 1140



LC Video Wall
Diffuser mounting hole pattern

All dimensions in mm.

		Weight (kg)	
		Scale	Date
Product		10.07.2007	
LC series		NPE	
Description		Revision	
		Dimensions	A