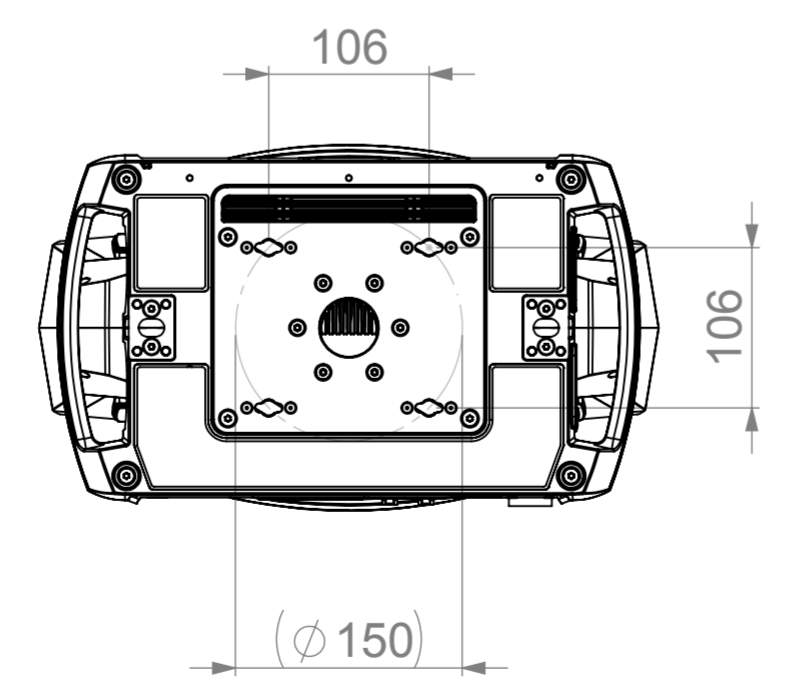
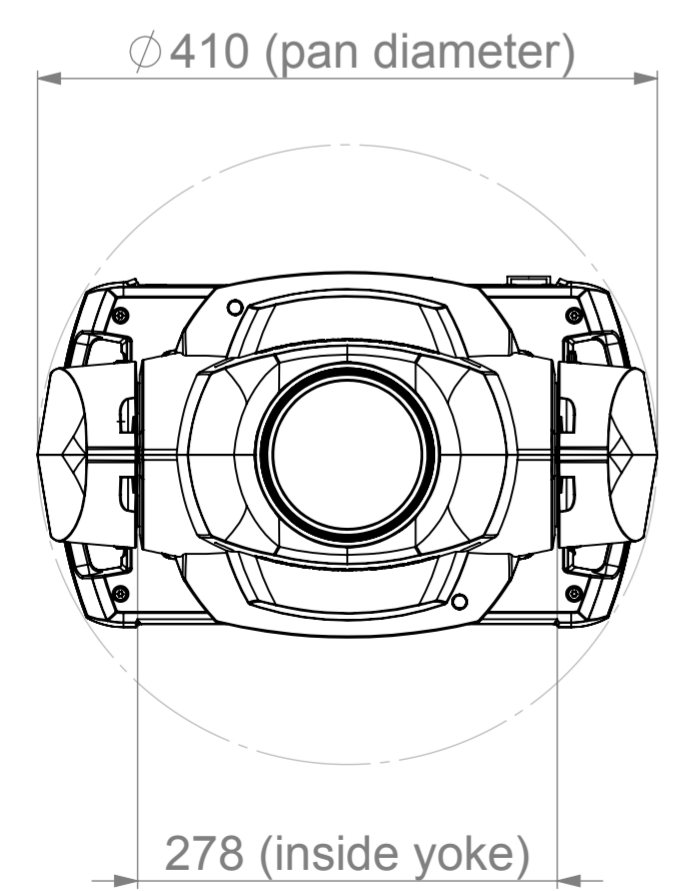
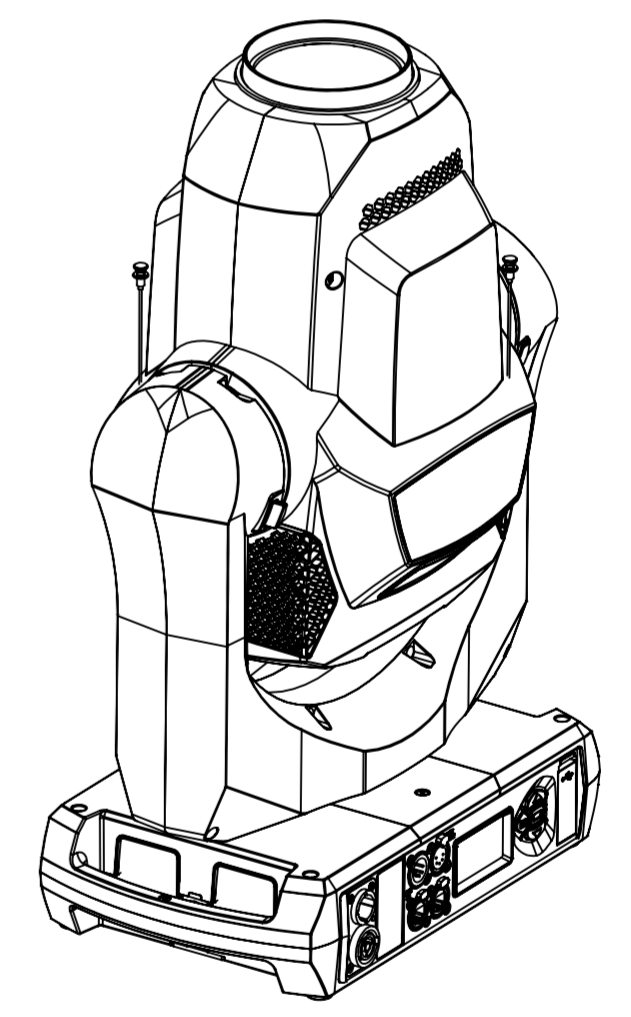
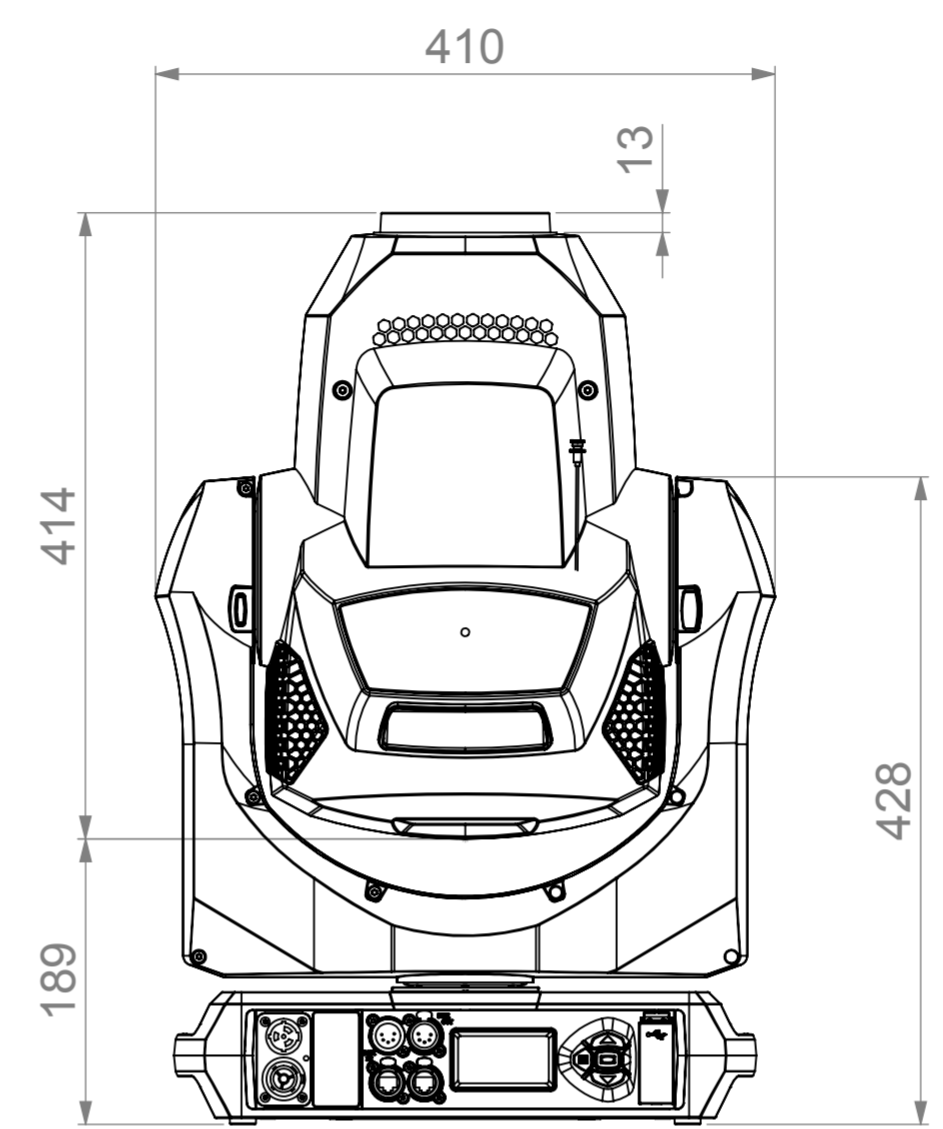
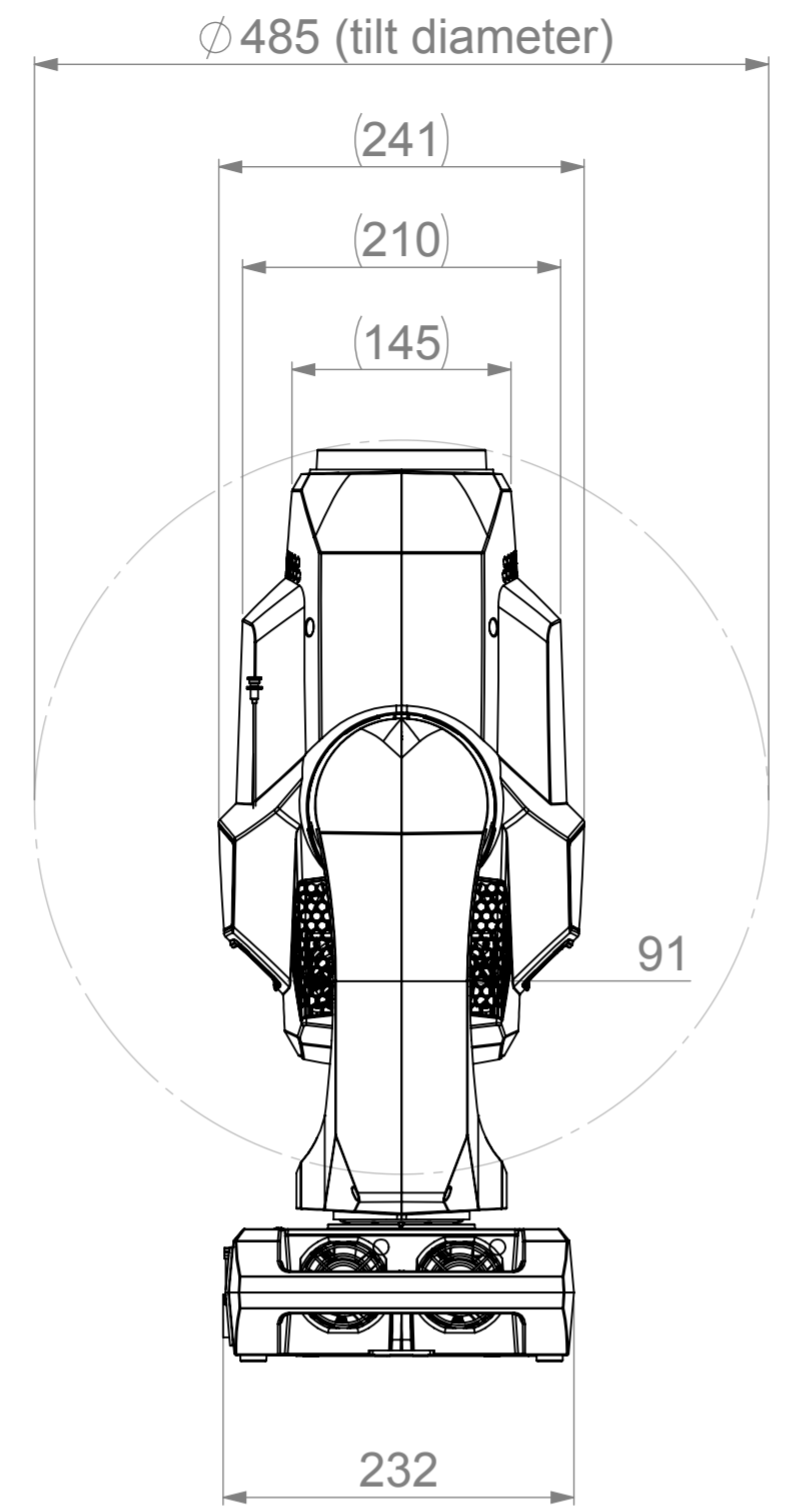
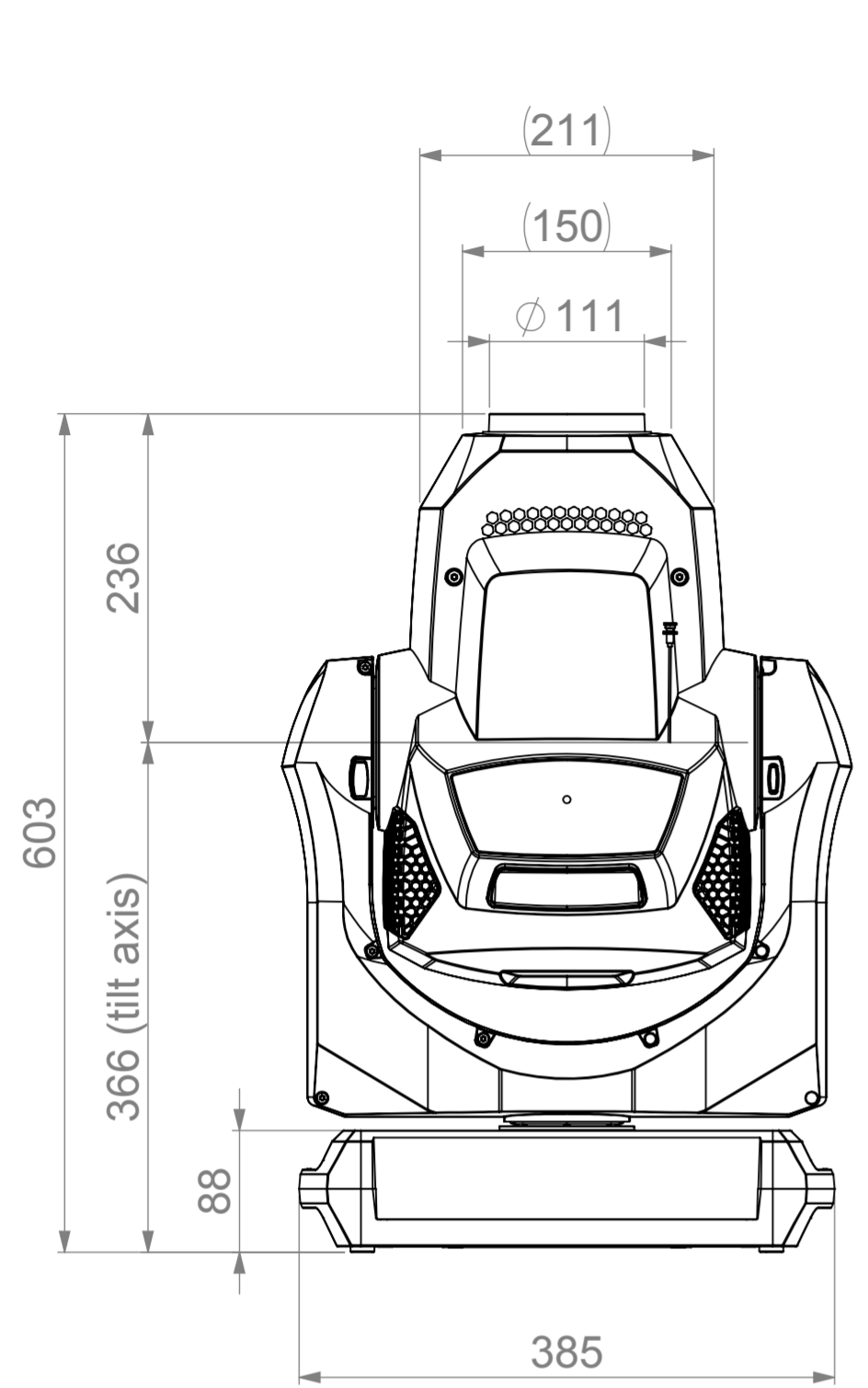
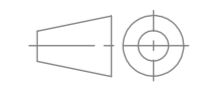



REVISION HISTORY

DATE	REV.	DESCRIPTION	BY
05.04.2019	C		ltousgaard



General Technical Specification apply to this item

© 2019 HARMAN Professional Denmark ApS PROPRIETARY AND CONFIDENTIAL PROPERTY OF HARMAN. DO NOT DISCLOSE, REPRODUCE, OR PUBLISH WITHOUT WRITTEN HARMAN APPROVAL.	Material	FIRST ANGLE PROJECTION 		HARMAN Professional Denmark ApS Olof Palmes Allé 44 DK 8200 Aarhus N	
	General linear tolerance			TITLE MAC Allure Profile/Wash PC	
ROHS RESTRICTION OF HAZARDOUS SUBSTANCES ALL MATERIALS USED IN THIS PART MUST BE ROHS COMPLIANT. SUPPLIER SHALL PROVIDE A CERTIFICATE OF ROHS COMPLIANCE WITH THE FIRST ARTICLE.	General angular tolerance	Surface treatment	NO. REV		
	General geometrical tolerance	Color	SIZE	SCALE	UNIT
	DIMENSIONS SHOWN ARE FOR REFERENCE AND INSPECTION ONLY. REFER TO CAD MODEL PROVIDED WITH THIS DRAWING FOR OVERALL DEFINITION OF PART GEOMETRY.		Project number	A2	1:5
			DO NOT SCALE DRAWING	SHEET	OF
			1	1	1