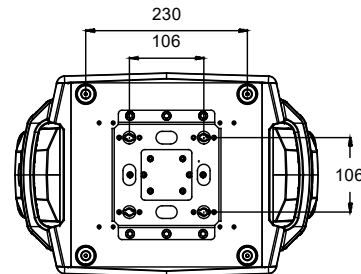
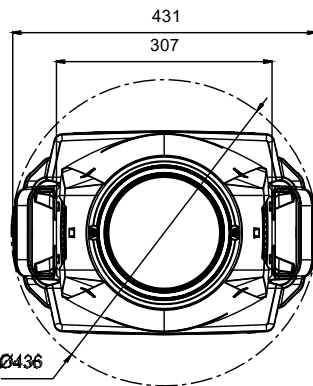
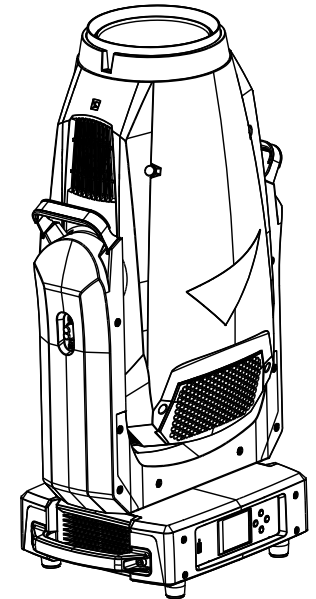
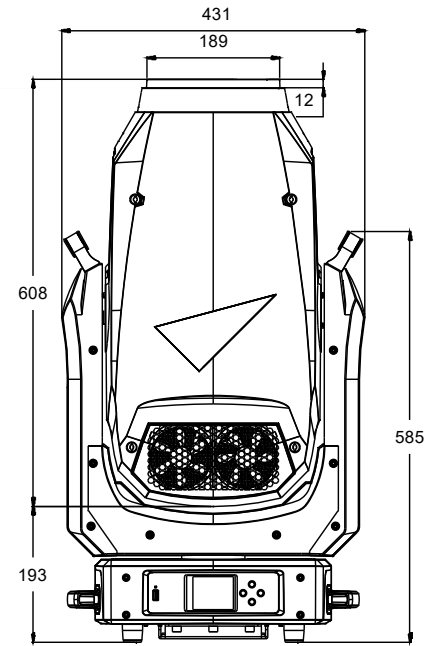
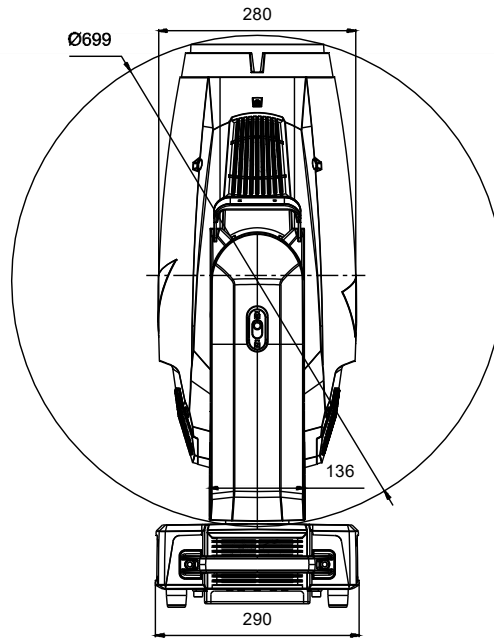
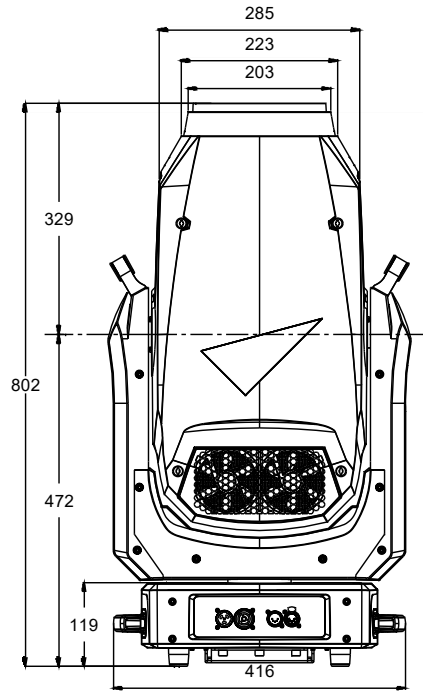
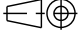



REVISION HISTORY

DATE	REV.	DESCRIPTION	BY
04.11.2019	A		BOCAI LAI



General Technical Specification apply to this item

© 2019 HARMAN Professional Denmark ApS PROPRIETARY AND CONFIDENTIAL PROPERTY OF HARMAN. DO NOT DISCLOSE, REPRODUCE, OR PUBLISH WITHOUT WRITTEN HARMAN APPROVAL.	Material:nylon+fiber	FIRST ANGLE PROJECTION 	 HARMAN Professional Denmark ApS Chief Palmes Allé 44 DK 8200 Aarhus N
	General linear tolerance: /		
<b>ROHS</b> RESTRICTION OF HAZARDOUS SUBSTANCES ALL MATERIALS USED IN THIS PART MUST BE ROHS COMPLIANT.	General angular tolerance: /	Color:black	TITLE: (Model in view ) ERA 800 Performance NO. _____ REV. A
SUPPLIER SHALL PROVIDE A CERTIFICATE OF ROHS COMPLIANCE WITH THE FIRST ARTICLE.	General geometrical tolerance: /	ERA 800 Performance	SIZE: A2 SCALE: 1:5 UNIT: mm DO NOT SCALE SHEET 1 OF 1 DRAWING