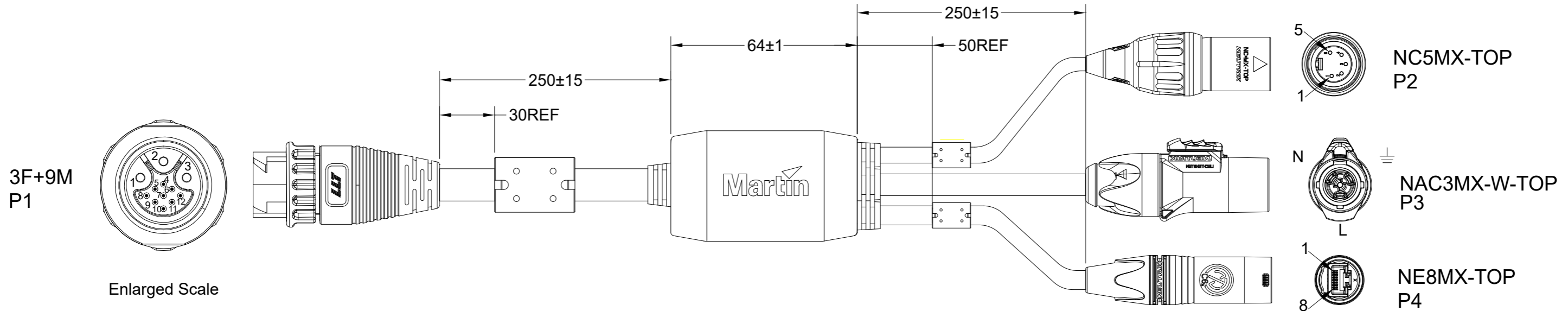
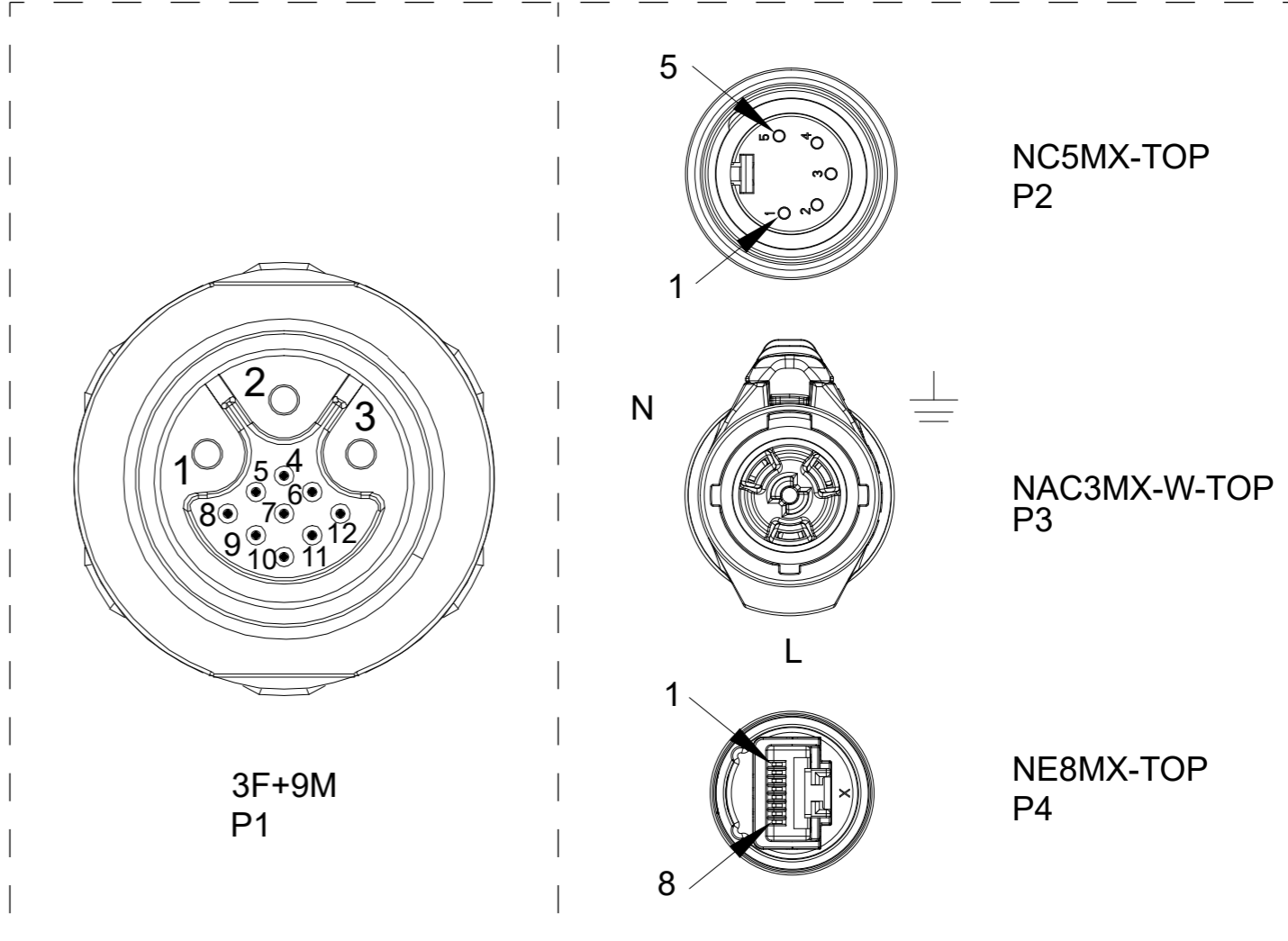


REVISION HISTORY			
DATE	REV.	DESCRIPTION	BY
12-02-2020	A	First release	RyanJiang
29-03-2022	B	Update	LTousgaard



PIN ASSIGNMENT								
Connector P1	Cable 1	Function	Cable 2	Connector P4	Cable 3	Connector P2	Cable 4	Connector P3
M25	Hybrid		Cat5e	EtherCON	DMX	XLR	SJT	PowerCON
12	Green	Ethernet RX-	Green	6	---	---	---	---
11	White/Green	Ethernet RX+	White/Green	3	---	---	---	---
9	Orange	Ethernet TX+	White/Orange	1	---	---	---	---
8	White/Orange	Ethernet TX-	Orange	2	---	---	---	---
7	White/Blue	DMX-	---	---	Orange	2	---	---
10	Drain/Shield	Ethernet Shield	Drain/Shield	Shell	---	---	---	---
6	White/Brown	DMX Common	---	---	Drain/Shield	1	---	---
5	Brown	DMX Common	---	---	Drain/Shield	1	---	---
4	Blue	DMX+	---	---	Green	3	---	---
3	Black	Live	---	---	---	---	Black	Live (L)
2	Green/yellow	Ground/Earth	---	---	---	---	Green	Earth (⚡)
1	WHITE	Neutral	---	---	---	---	White	Neutral (N)
---	---	NO Function	Blue	4	---	---	---	---
---	---	NO Function	White/Blue	5	---	---	---	---
---	---	NO Function	White/Brown	7	---	---	---	---
---	---	NO Function	Brown	8	---	---	---	---
---	---	NO Function	---	---	---	4	---	---
---	---	NO Function	---	---	---	5	---	---
---	---	NO Function	---	---	---	White	---	---
---	---	NO Function	---	---	---	Blue	---	---



NOTE:
 1. Operation Temp: Connector (-20°~+105°) / Cable (-15°~+75°);
 2. Waterproof Rating: IP66;
 3. Connection Style: Soldering (Pin&Wire);Ultrasonic Welding (Wire&Wire);
 4. Over-Mold Material: PVC;
 5. Fireproof Rating: UL94-V0;

© 2021 HARMAN Professional Denmark ApS PROPRIETARY AND CONFIDENTIAL PROPERTY OF HARMAN. DO NOT DISCLOSE, REPRODUCE, OR PUBLISH WITHOUT WRITTEN HARMAN APPROVAL.	Material	FIRST ANGLE PROJECTION		HARMAN Professional Denmark ApS Oluf Palmes Allé 44 DK 8200 Aarhus N
	General linear tolerance			
ROHS RESTRICTION OF HAZARDOUS SUBSTANCES ALL MATERIALS USED IN THIS PART MUST BE ROHS COMPLIANT. SUPPLIER SHALL PROVIDE A CERTIFICATE OF ROHS COMPLIANCE WITH THE FIRST ARTICLE.	General angular tolerance	Color	TITLE BREAKIN CABLE POWER-DMX-ETHERNET TO PDE	
	General geometrical tolerance	Project number	NO. MAR-91700000 REV B	
	DIMENSIONS SHOWN ARE FOR REFERENCE AND INSPECTION ONLY. REFER TO CAD MODEL PROVIDED WITH THIS DRAWING FOR OVERALL DEFINITION OF PART GEOMETRY.		SIZE A3 SCALE - UNIT mm DO NOT SCALE DRAWING SHEET OF 1 1	