

Alien 02 Spot Mounting Arm installation note

The mounting arm is used to attach an Alien 02 Spot luminaire to a flat surface.

Note that all the measurements in the diagrams are in expressed in millimeters (mm).

Refer to the *Alien 02 Spot* user manual for safety information.

Pre-requisites

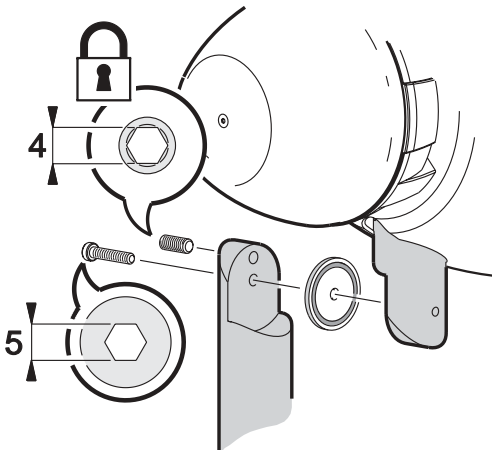
To attach the mounting arm to:

- The Alien 02 Spot luminaire you need 4 mm and 5 mm hex wrenches.
- A surface you need 3 units of M6 mounting hardware appropriate to the mounting surface and the weight of the future, and associated tools to install the hardware.

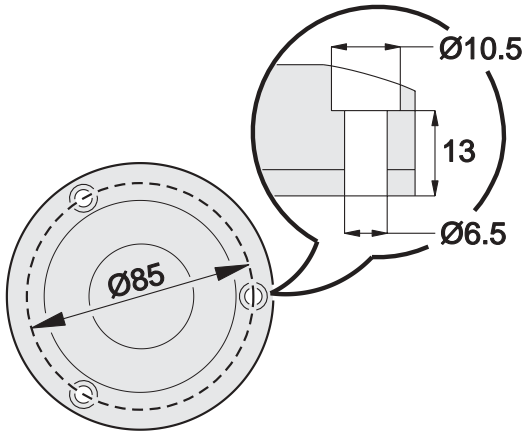
Installation

Note that these steps need not necessarily be performed in this order. You may find it easier to attach the mounting arm to the mounting surface before attaching the Alien 02 Spot luminaire.

- 1 Attach the Alien 02 Spot to the mounting arm using the supplied hardware and 4 mm and 5 mm hex wrenches. Do not over tighten the 4 mm locking bolt until the fixture is installed and pointing in the appropriate direction.



- 2 Attach the base of the arm to the required surface using M6 mounting hardware that is appropriate to the mounting surface and to the weight of the fixture.



- 3 Adjust the vertical and horizontal angles of the spot so that it is pointing in the correct direction. Tighten the 4 mm locking screws on the top of the arm (see the first illustration above) and on the base.

