

The VC-Dot™ Plastic Mounting Profiles enable the dots to be installed in an easy and reliable way. The profiles and covers are available in matte white, matte black or a customized color.

An assembly consists of following elements:

- VC-Dot Pixel String
- VC-Dot Plastic Mounting Profile
- VC-Dot Plastic Mounting Profile Cover

## CONSTRUCTION

Housing: Extruded plastic (ABS)  
Color: Matte black, Matte white or customized color

## ENVIRONMENT

Indoor usage only

## WEIGHT

VC-Dot 1 Plastic Mounting Profile: 125 g / m  
VC-Dot 1 Plastic Mounting Profile Cover: 83 g / m  
VC-Dot 4 Plastic Mounting Profile: 208 g / m  
VC-Dot 4 Plastic Mounting Profile Cover: 125 g / m  
VC-Dot 9 Plastic Mounting Profile: 250 g / m  
VC-Dot 9 Plastic Mounting Profile Cover: 125 g / m

## RELATED ITEMS

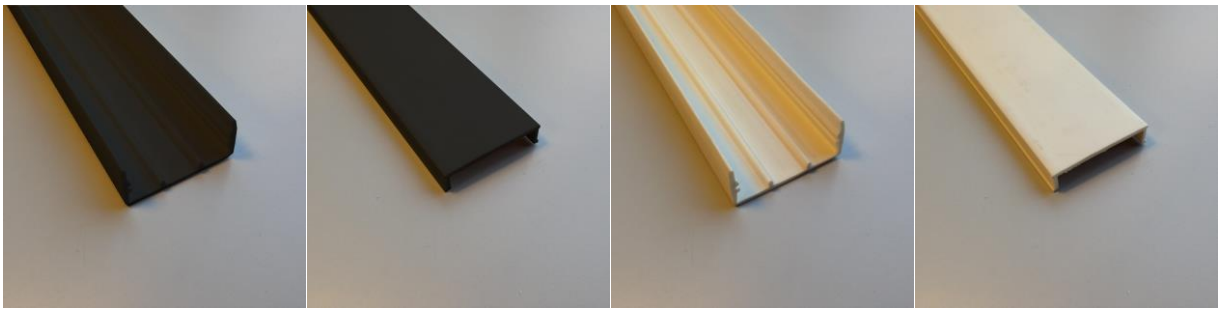
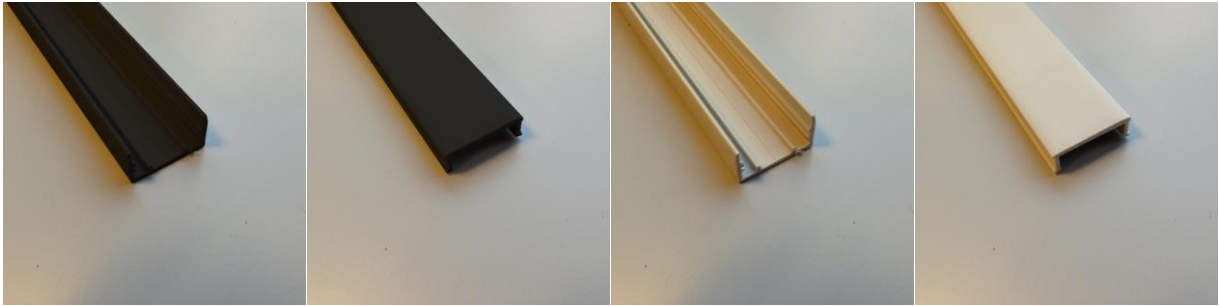
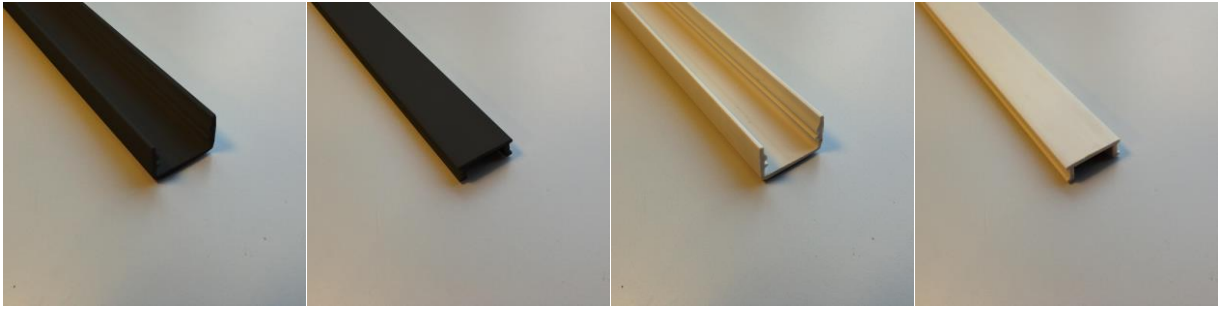
VC-Dot 1™ RGB, 100 mm (3.9 in.) pitch, 100 pcs., 2 m (6.6 ft.) lead-in	P/N 90357060
VC-Dot 1™ WW, 100 mm (3.9 in.) pitch, 100 pcs., 2 m (6.6 ft.) lead-in	P/N 90357090
VC-Dot 1™ MW, 100 mm (3.9 in.) pitch, 100 pcs., 2 m (6.6 ft.) lead-in	P/N 90357080
VC-Dot 1™ CW, 100 mm (3.9 in.) pitch, 100 pcs., 2 m (6.6 ft.) lead-in	P/N 90357070
VC-Dot 4™ RGB, 200 mm (7.9 in.) pitch, 64 pcs., 2 m (6.6 ft.) lead-in	P/N 90357100
VC-Dot 4™ WW, 200 mm (7.9 in.) pitch, 64 pcs., 2 m (6.6 ft.) lead-in	P/N 90357130
VC-Dot 4™ MW, 200 mm (7.9 in.) pitch, 64 pcs., 2 m (6.6 ft.) lead-in	P/N 90357120
VC-Dot 4™ CW, 200 mm (7.9 in.) pitch, 64 pcs., 2 m (6.6 ft.) lead-in	P/N 90357110
VC-Dot 9™ RGB, 400 mm (15.7 in.) pitch, 36 pcs., 2 m (6.6 ft.) lead-in	P/N 90357140
VC-Dot 9™ WW, 400 mm (15.7 in.) pitch, 36 pcs., 2 m (6.6 ft.) lead-in	P/N 90357050
VC-Dot 9™ MW, 400 mm (15.7 in.) pitch, 36 pcs., 2 m (6.6 ft.) lead-in	P/N 90357160
VC-Dot 9™ CW, 400 mm (15.7 in.) pitch, 36 pcs., 2 m (6.6 ft.) lead-in	P/N 90357150

## ORDERING INFORMATION

VC-Dot 1™ Plastic Mounting Profile, Black, 1.2 m (3.9 ft.)	P/N 91611410
VC-Dot 1™ Plastic Mounting Profile Cover, Black, 1.2 m (3.9 ft.)	P/N 91611420
VC-Dot 1™ Plastic Mounting Profile, White, 1.2 m (3.9 ft.)	P/N 91611430
VC-Dot 1™ Plastic Mounting Profile Cover, White, 1.2 m (3.9 ft.)	P/N 91611440
VC-Dot 4™ Plastic Mounting Profile, Black, 1.2 m (3.9 ft.)	P/N 91611450
VC-Dot 4™ Plastic Mounting Profile Cover, Black, 1.2 m (3.9 ft.)	P/N 91611470
VC-Dot 4™ Plastic Mounting Profile, White, 1.2 m (3.9 ft.)	P/N 91611460
VC-Dot 4™ Plastic Mounting Profile Cover, White, 1.2 m (3.9 ft.)	P/N 91611480
VC-Dot 9™ Plastic Mounting Profile, Black, 1.2 m (3.9 ft.)	P/N 91611490
VC-Dot 9™ Plastic Mounting Profile Cover, Black, 1.2 m (3.9 ft.)	P/N 91611510
VC-Dot 9™ Plastic Mounting Profile, White, 1.2 m (3.9 ft.)	P/N 91611500
VC-Dot 9™ Plastic Mounting Profile Cover, White, 1.2 m (3.9 ft.)	P/N 91611520

# Specifications

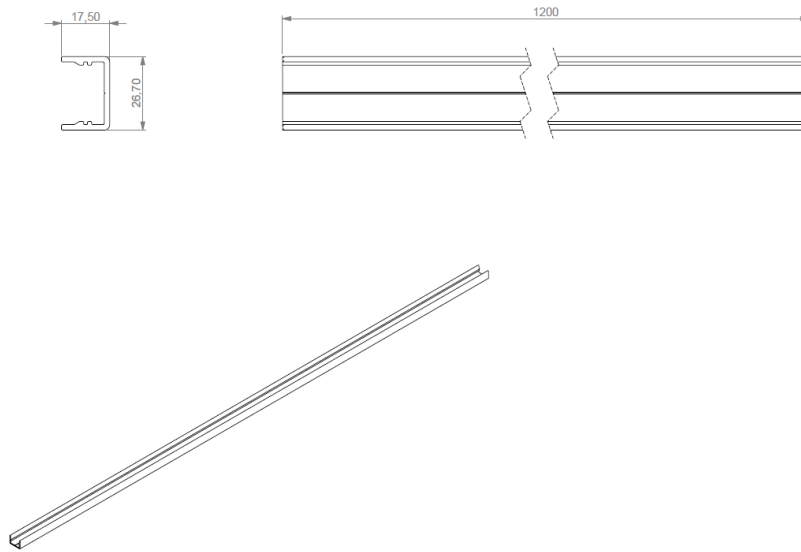
# VC-Dot™ Plastic Mounting Profiles



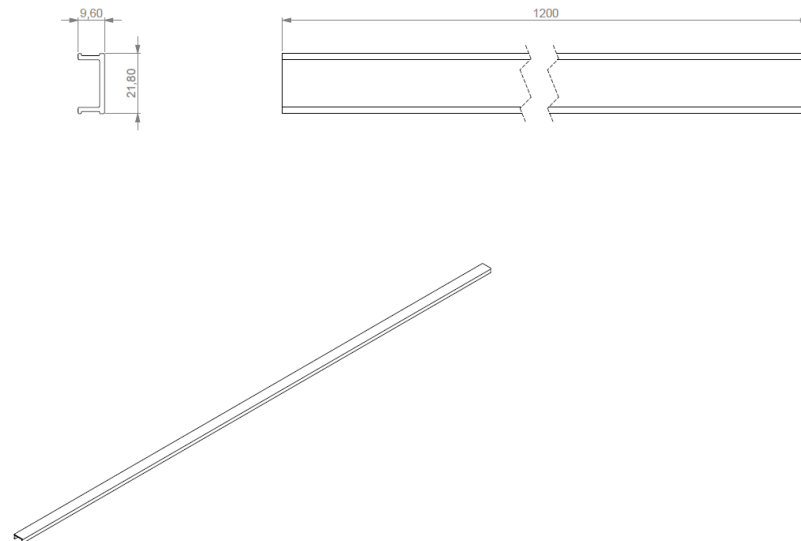
# Specifications

# VC-Dot™ Plastic Mounting Profiles

## VC-Dot 1™ Plastic Mounting Profile



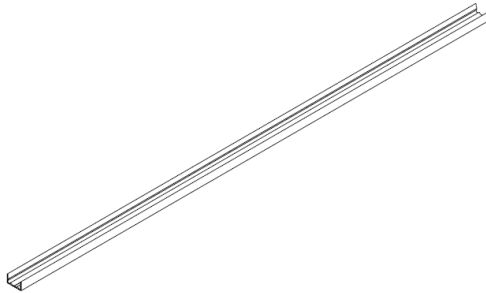
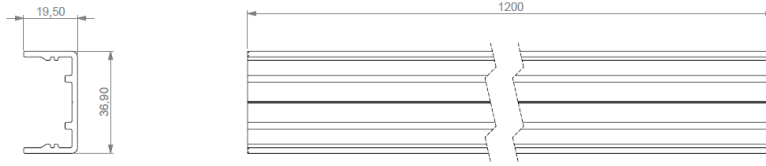
## VC-Dot 1™ Plastic Mounting Profile Cover



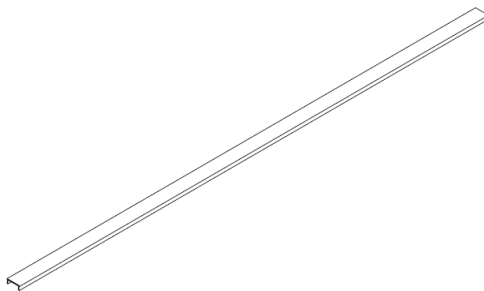
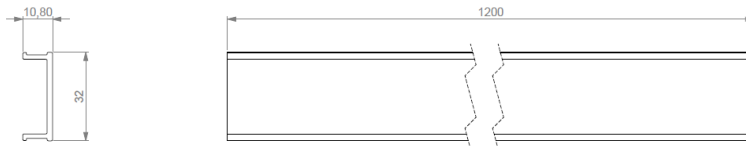
# Specifications

# VC-Dot™ Plastic Mounting Profiles

## VC-Dot 4™ Plastic Mounting Profile



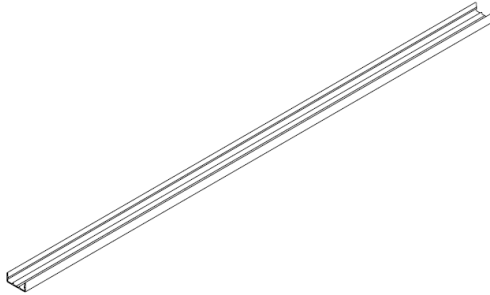
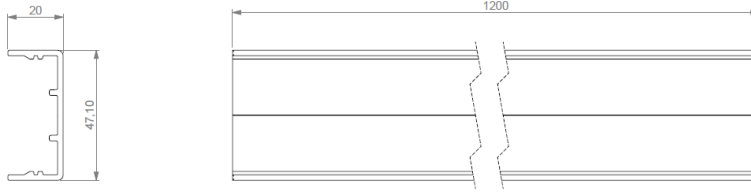
## VC-Dot 4™ Plastic Mounting Profile Cover



# Specifications

# VC-Dot™ Plastic Mounting Profiles

## VC-Dot 9™ Plastic Mounting Profile



## VC-Dot 9™ Plastic Mounting Profile Cover

