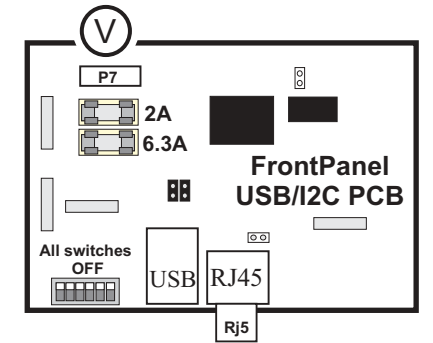
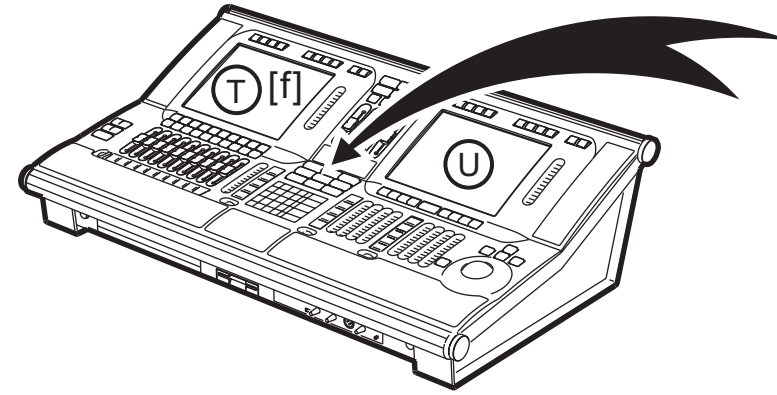
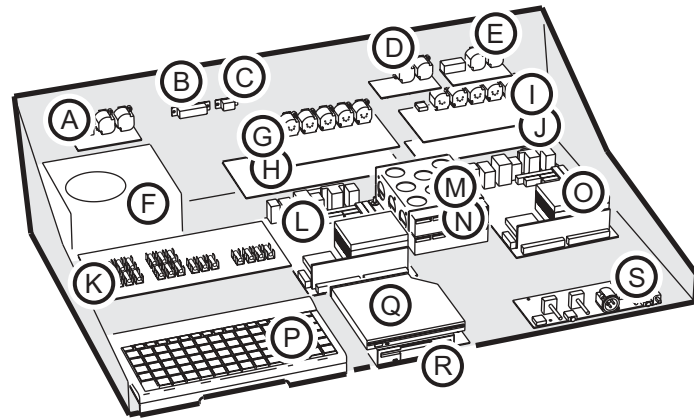


Bottom wiring



Flat Cables

F1:	(27)	IDE HardDrive Left Mainboard	L > N
F2:	(32)	IDE HardDrive Right Mainboard	O > M
F3:	(28)	IDE DVD	O > Q
F4:	(29)	Floppy Data	O > R
F5:	(21)	External Serial Cable	L > C
F6:	(22)	External Printer Cable	L > B

Sound

S1:	(24)	Sound SMPTE	H > J
S2:	(24)	Volume	S > J
S3: [a]	(24)	Volume	S > J
S4:	(30)	Sound In	O > J
S5: [b]	(30)	Sound Out	O > J

Power Cables

P1:		Power Supply	F > K
P2:	(13)	Power Left Mainboard (Master)	K > L
P3:	(14)	Power Right Mainboard (Client)	K > O
P4:	(17)	Power Sound PCBs	K > J > S
P5:	(15)	Power Harddrive Master + DVD	K > Q > N
P6:	(15)	Power Harddrive Client + Floppy	K > M > R
P7:	(10)	Power Frontpanel + USB/I2C PCB	K > V
P8:	(16)	Power DMX + SMPTE PCBs	K > H > G > I

RJ-45 wiring

Rj1: [c]	(20)	Wing #4	A > G
Rj2:	(20)	Wing #3	A > G
Rj3: [d]	(20)	Wing #2	E > I
Rj4:	(20)	Wing #1	E > I
Rj5:	(19)	USB (RJ45) Frontpanel	V > G
Rj6:	(20)	USB (RJ45) SMPTE	H > I
Rj7: [e]	(20)	Network	D > L
Rj8:	(20)	EtherDMX	D > O
Rj9:	(18)	COM +	L > O
Rj10:	(18)	COM +	L > O

USB Wiring

U1:		Keyboard	P > G
U2:	(31)	USB1 DMX 5-8	L > G
U3:	(9)	USB2 DMX 5-8	O > G
U4:	(9)	USB1 DMX 1-4	L > I
U5:	(31)	USB2 DMX 1-4	O > I
U6:	(23)	USB On Sound PCB	S > O
U7: [f]	(8)	USB Touch Panel left	L > T
U8:	(8)	USB Touch Panel right	O > U

VGA wiring

V1:	(26)	Ext. VGA left	A > L
V2:	(25)	Ext. VGA right	E > O

