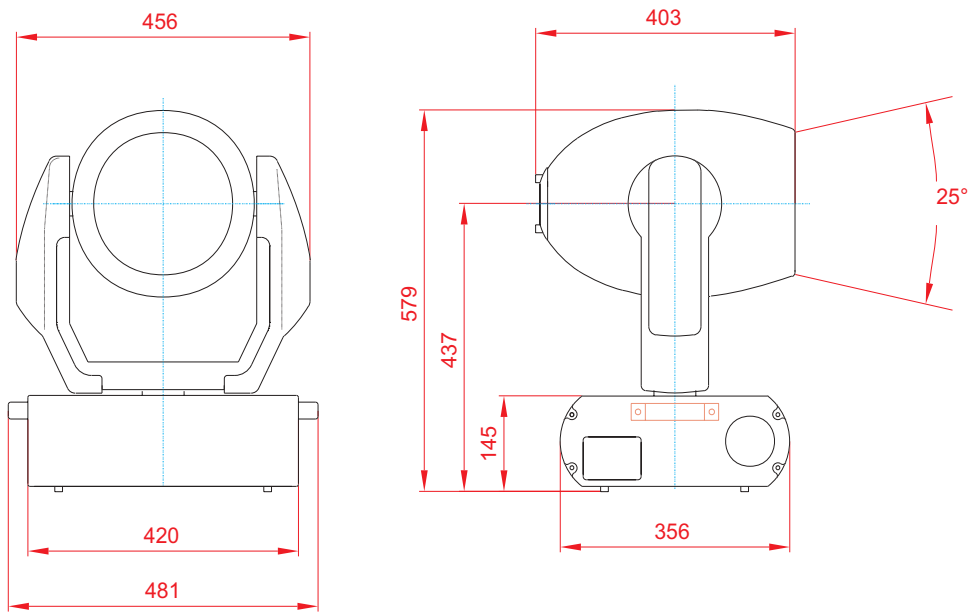


SPECIFICATIONS - MAC 600 NT



dimensions in millimeters

MEASUREMENTS

Dimensions (LxWxH) without clamps	.481 x 356 x 652 mm (18.9 x 14.0 x 25.7 in)
Minimum rigging distance, center to center	.457 mm (18 in)
Weight (without clamps), MAC 600 NT	.31.5 kg (69.3 lb)
Weight, without clamps, MAC 600 E NT	.25.4 kg (55.9 lb)

ELECTRICAL, MAC 600 NT

Wiring options	.200/230/245 V, 50 Hz; 208/227 V, 60 Hz
Power and current	.750 W, 3.9 A @ 230 V/50 Hz; 750 W, 4.2 A @ 208 V/60 Hz
Power factor (PF)	.0.85

ELECTRICAL, MAC 600 E NT

Transformer taps	.100/110/120/200/210/220/230/240 @ 50 - 60 Hz
Power and current	.690 W, 3.2 A @ 230 V / 50 Hz
Power factor (PF)	.0.94

FUSES

Primary fuse @ 200 - 250 V AC	.T 6.3 A, 250 V
Primary fuse @ 100 - 130 V AC (MAC 600 E NT only)	.T 10.0 A, 250 V
Fuse F601	.T 5.0 A, 250 V
Fuse F602	.T 4.0 A, 250 V
Fuse F603	.T 0.315 A, 250 V

COMMUNICATION

Protocol	.USITT DMX512 (1990)
DMX start code	.0
Recommended cable	.24 AWG (min.), low capacitance, 85-150 Ω shielded twisted pair
Connector type	.3-pin XLR male/female (pin 1: screen, pin 2: data -, pin 3: data +)

COMPATIBLE LAMPS

Osram HSR-575/2	.575 W, 85 lm/W, 1000 hr., 6000 K, P/N 97010200
Philips MSR-575/2	.575 W, 85 lm/W, 1000 hr., 7200 K, P/N 97010201
Philips MSD-575	.575 W, 75 lm/W, 2000 hr., 6000 K, P/N 97010202

THERMAL

Maximum ambient temperature	40° C (104° F)
Maximum surface temperature under normal conditions	140° C (284° F)

ACCESSORIES

18° "long front" with lens	91610005
65° floodlight diffuser on standard front	91610008
MPBB1 Uploader	90758410
G-clamp	91602003
Half-coupler clamp	91602005
Clamp adaptor with 1/4-turn fasteners	91602001
Outdoor Protection Dome	90525010
2 unit flight case	91510002