

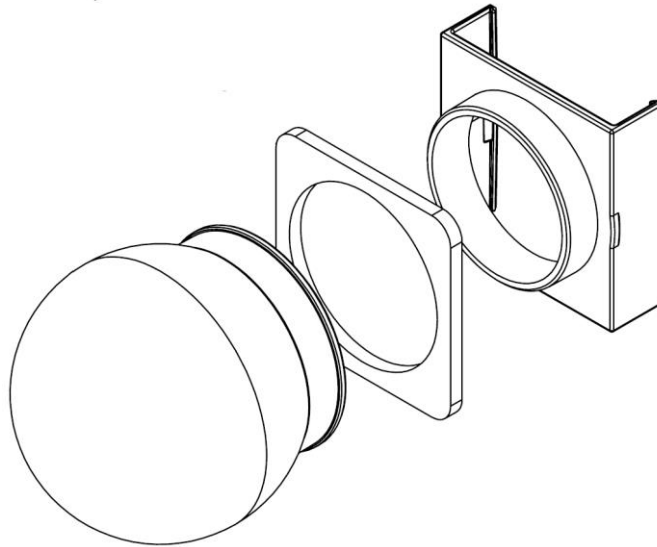
Specifications

VC-Dot 9™ Diffuser Sphere



The VC-Dot 9™ Diffuser Sphere can be attached to a VC-Dot 9 and create a 360 degree visible effect. The supplied mounting clip makes attachment to a VC-Dot 9 very easy. For discreet installations the mounting clip (and dot itself) can be mounted behind a flat surface (such as a ceiling), while the sphere itself is screwed on from the other (visible) side.

CONSTRUCTION	Material: Injected plastic Color: Translucent White	
ENVIRONMENT	Indoor usage only	
WEIGHT	30 g	
MOUNTING HOLE DIAMETER	M38	
RELATED ITEMS	VC-Dot 9™ RGB, 400 mm (15.7 in.) pitch, 36 pcs., 2 m (6.6 ft.) lead-in VC-Dot 9™ WW, 400 mm (15.7 in.) pitch, 36 pcs., 2 m (6.6 ft.) lead-in VC-Dot 9™ MW, 400 mm (15.7 in.) pitch, 36 pcs., 2 m (6.6 ft.) lead-in VC-Dot 9™ CW, 400 mm (15.7 in.) pitch, 36 pcs., 2 m (6.6 ft.) lead-in	P/N 90357140 P/N 90357050 P/N 90357160 P/N 90357150
ORDERING INFORMATION	VC-Dot 9™ Diffuser Spheres, set of 10	P/N 91611530



Specifications

VC-Dot 9™ Diffuser Sphere

VC-Dot 9™ Diffuser Sphere

