



The VC-Grid/Strip 25 Lens Array allows a completely different look to be created with a VC-Grid/Strip 25. The supplied mounting rib can be attached to the VC-Grid/Strip during installation, allowing the Lens Array itself to be added afterwards.

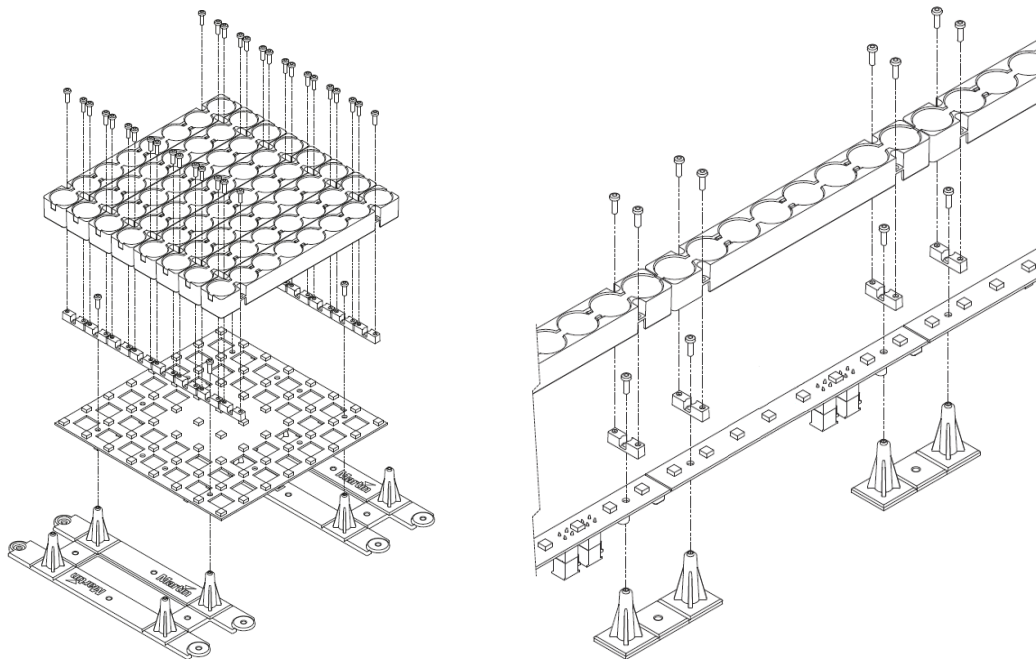
CONSTRUCTION Material: Injected plastic & PMMA
Color: Matt black

WEIGHT 57 g

PHOTOMETRIC DATA Half-peak angle: 21°

RELATED ITEMS	VC-Grid™ 8x8 25 RGB	P/N 90357010
	VC-Grid™ 8x8 25 WW	P/N 90357000
	VC-Grid™ 8x8 25 MW	P/N 90357030
	VC-Grid™ 8x8 25 CW	P/N 90357020
	VC-Strip™ 16x1 25 RGB	P/N 90357290
	VC-Strip™ 16x1 25 WW	P/N 90357280
	VC-Strip™ 16x1 25 MW	P/N 90357310
	VC-Strip™ 16x1 25 CW	P/N 90357300
	VC-Strip™ 8x1 25 RGB	P/N 90357320
	VC-Strip™ 8x1 25 WW	P/N 90357330
VC-Strip™ 8x1 25 MW	P/N 90357340	
VC-Strip™ 8x1 25 CW	P/N 90357350	

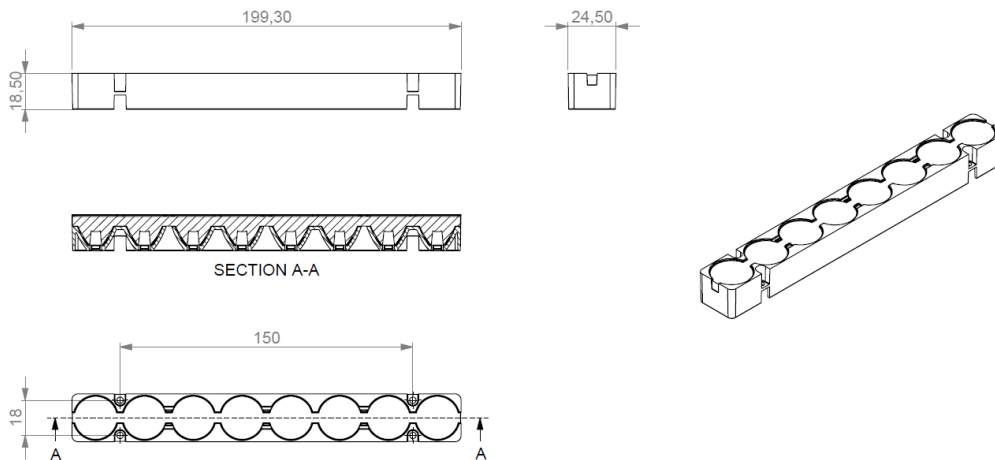
ORDERING INFORMATION VC-Grid/Strip 25™ Lens Arrays Narrow, set of 8 P/N 91611540



Specifications

VC-Grid/Strip 25™ Lens Array

VC-Grid/Strip 25™ Lens Array



VC-Grid/Strip 25™ Lens Array Mounting Rib

