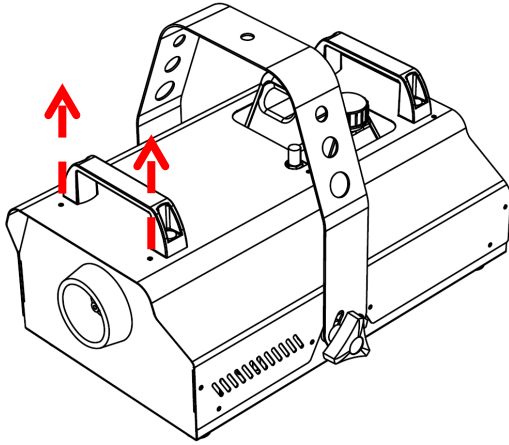


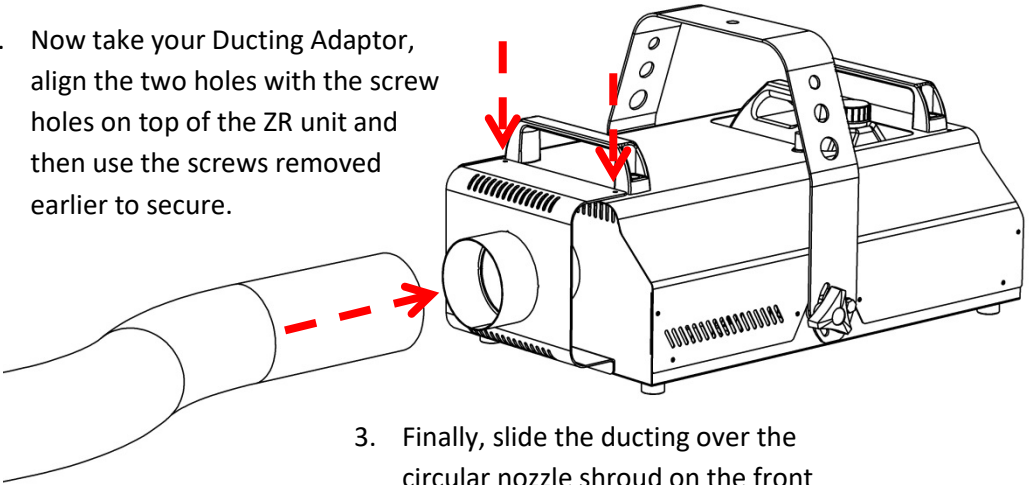
Instruction – Fitting Ducting Adaptor to JEM ZR Series products



1. In order to fit the Ducting Adaptor to your JEM ZR25™, JEM ZR35™ or JEM ZR45™ unit, you will first need to **remove the two front screws** from the top of your unit.

Do not discard these screws as you will use them in the next step!

2. Now take your Ducting Adaptor, align the two holes with the screw holes on top of the ZR unit and then use the screws removed earlier to secure.



3. Finally, slide the ducting over the circular nozzle shroud on the front of the Ducting Adaptor.

If required: Secure the ducting to the adaptor using a 4" Hose Clip (not included)