

ELP MANET^{8f}

LED STAGE AND STUDIO FRESNEL

SPEC SHEET



HIGHLIGHTS

- Over 13,000 Lumens of Output
- 6-Color Light Engine with Red, Green, Blue, Amber, Lime, and Cyan LEDs
- Fully Linear 1,850-12,500 K Color Temperature Control System
- Carefully designed 8-inch (200 mm) Fresnel Lens
- Wide Color Gamut
- Class-Leading Light Quality

OVERVIEW

The ELP MANET 8f from Martin Professional redefines static fixture lighting with precision beam control. Inspired by the Latin stage direction "it remains", it pays tribute to Shakespearean theater and timeless storytelling. Combining classic tungsten-style output with modern LED efficiency, it features a six-color LED light engine for a rich, refined palette and a TM-30 Rf of 95 and a CRI score of 98. A carefully designed 8-inch (200 mm) Fresnel lens, 9° to 50° zoom, and anti-reflective barn doors, deliver smooth, artifact-free fades. With ultra-quiet operation, intuitive controls, and wireless configuration via Martin's Companion App, ELP MANET 8f offers unmatched performance, flexibility, and artistry-ensuring every moment remains unforgettable.

KEY MESSAGES

PRECISION COLOR ACCURACY

The innovative six-color light engine featuring red, green, blue, amber, lime, and cyan LEDs, delivers a best-in-class TM-30 Rf of 95 and a CRI score of 98 for consistent, vibrant color from saturated primaries to delicate pastels across the full color-temperature spectrum.

SIGNATURE SOFT-EDGE FRESNEL LENS

A carefully designed 8-inch (200 mm) Fresnel lens produces a uniform wash with a classic soft edge while 13,000 lumens and a 9°-50° zoom range allow this fixture to excel in narrow throws and wide washes.

FULLY LINEAR COLOR-TEMPERATURE CONTROL

Precise adjustment from 1,850 K to 12,500 K in 50 K increments ensures seamless transitions between warm and cool whites as well as fully tracking the black body line via the onboard calibration system.

FLEXIBLE INSTALLATION & CONTROL

Smooth and precise manual zoom control via the onboard dual controls coupled with the optional pole operated yoke set allows for quick and easy focusing from stage to studio, intuitive menu and control options, including NFC compatibility with the Martin Companion Mobile app that simplifies setup and operation.

ELP MANET^{8f}

LED STAGE AND STUDIO FRESNEL

SPEC SHEET

FEATURES

- Over 13,000 Lumens of Output
- 6-Color Light Engine with Red, Green, Blue, Amber, Lime, and Cyan LEDs
- Fully Linear 1,850 - 12,500 K Color Temperature Control System
- Carefully designed 8-inch (200 mm) Fresnel Lens
- Wide Color Gamut
- Class-Leading Light Quality
- 9°-50° Manual Zoom Lens
- High-Resolution Low-End Dimming
- Anti-Reflective Barn Doors
- Flexible Mounting Options
- Intuitive Control Interface
- Simple RGB Control and Linear CTC Channel
- Ultra-Quiet Cooling System
- NFC interface, supporting configuration and diagnostics via Companion Mobile App



ORDERING INFORMATION

- ELP MANET 8f (w/ 4-leaf barn door and Gel frame in cardboard box, FSC carton): P/N MAR-90800020

RELATED ITEMS

- Martin Companion Cable (for firmware update over DMX): P/N 91616091
- Martin Companion Software (for firmware update over DMX and fixture setup/configuration via NFC):
Free download from www.martin.com, app store and play store

ACCESSORIES

- ELP MANET 8f Pole OP Yoke: P/N MAR-90800021

Power Input Cables

- Power input cable, H07RN-F, 2.5 mm², bare ends to TRUE1 NAC3FX-W TOP (female), 1.5 m (4.9 ft.): P/N 91611797
- Power input cable, SJ00W, 12 AWG, bare ends to TRUE1 NAC3FX-W TOP (female), 1.5 m (4.9 ft.): P/N 91610173

Power Linking Cables

- Power relay cable, H07RN-F, 2.5 mm², TRUE1 to TRUE1, 2.5 m (8.2 ft.): P/N 91611796
- Power relay cable, SJ00W, 12 AWG, TRUE1 to TRUE1, 2.5 m (8.2 ft.): P/N 91610172

Power Connectors

- Cable Connector, Neutrik PowerCON TRUE1 TOP Female: P/N 91611789HU
- Cable Connector, Neutrik PowerCON TRUE1 TOP Male: P/N 91611788HU

Installation Hardware

- G-clamp (suspension with fixture hanging vertically downwards only): P/N 91602003
- Omega bracket with 1/4 turn fasteners: P/N 91602001
- Safety cable, SWL 60 kg, BGV C1 / DGUV 17, black: P/N 91604006
- Safety cable, SWL 60 kg, BGV C1 / DGUV 17, silver: P/N 91604007

ELP MANET^{8f}

LED STAGE AND STUDIO FRESNEL

SPEC SHEET

TECHNICAL SPECIFICATIONS

DYNAMIC EFFECTS

Dimmer/shutter	0-100% continuous dimming, regular and random strobe, instant open and blackout
Dimming options	Choice of four dimming curves, smooth 16-bit Selectable Dimming Modes and Curves
Color mixing	RGBALC, independently variable 0-100%
Color temperature control	Variable 1,850-12,500K
Tint control	Variable green-magenta shift, Δuv -0.05 - +0.05
Virtual color wheel	48 color presets, continuous rotation & random color
LED frequency control	Variable LED PWM control

CONTROL & PROGRAMMING

5pin DMX and Power In/Out Connection	
Quick focus manual control via rotary encoder	
Control protocols	DMX, RDM
DMX modes	Compact, Basic, Direct
DMX channels	11, 17
16-bit controllable parameters	Dimming, color mixing
Setting and addressing	Display menu, RDM, NFC
Local user interface	Backlit LCD display
Fixture identification	User-settable ID number
DMX compliance	USITT DMX512-A
RDM compliance	ANSI/ESTA E1.20
DMX/RDM Transceiver	Galvanic-isolated RS-485
Firmware update	via DMX using Martin Companion

OPTICS

Front lens diameter	200 mm (7.87 in.)
Zoom range	1:5.6
Full zoom range at half peak (beam angle)	9° - 50°
Full zoom range at tenth peak (field angle)	17° - 66°
Light source	500W RGBALC COB LED
Max. LED engine power	500W
Minimum LED lifetime	>20,000 hours (to >70% luminous output)*

*Figure obtained under manufacturer's test conditions.

PHOTOMETRIC DATA

Light engine luminous output	15,500 lumens
Fixture luminous output wide	13,100 lm @6,500K white
Fixture luminous output narrow	5,600 lm @ 6,500K white
CCT	Variable 1,850K-12,500 (+/-200K)
CRI (Color Rendering Index) high output mode	≥90
CRI (Color Rendering Index) high quality mode	≥98
CQS (Color Quality Scale) high output mode	≥85
CQS (Color Quality Scale) high quality mode	≥95
TM-30 Rf (IES TM-30-15 Fidelity Index) high output mode	≥86
TM-30 Rf (IES TM-30-15 Fidelity Index) high quality mode	≥95
TM-30 Rg (IES TM-30-15 Gamut Index) high output mode	≥107
TM-30 Rg (IES TM-30-15 Gamut Index) high quality mode	≥104
TLCl (Television Lighting Consistency Index) high output mode	≥98
TLCl (Television Lighting Consistency Index) high quality mode	≥98
LED refresh rate	3600Hz w/ fine adjustment (+/- 2%)
Binning:	Tight color and flux binning
Calibration	Full gamut color calibration
Color modes	Extended color mode and calibrated color mode

* All Photometric Data measured in steady state (30 minutes warm-up time) at 25° C ambient. * All Photometric Data measured at 6,500 K white

CONSTRUCTION

Housing material	Steel/aluminum
Color	Matte black
Protection rating	IP20

INSTALLATION

Mounting points	1/4-turn points for 106mm (4.17 in.) center-to-center omega brackets, Single M12 threaded hole for rigging clamp, Two guide holes to support industrial standard 28mm Spigot accessory
Location	Indoor
Orientation	Any
Minimum distance to combustible materials	0.2 m (7.87 in.)
Minimum distance to illuminated surfaces	1.0 m (39.37 in.)

CONNECTIONS

AC mains power in/thru	Neutrik PowerCON TRUE1 TOP
DMX and RDM data in/thru	Neutrik 5-pin locking XLR TOP

ELECTRICAL

AC power	100-240 V AC nominal, 50/60 Hz
Power supply unit	Auto-ranging electronic switch-mode
Maximum total current at 100-120 V	5.3 A
Maximum total current at 200-240 V	2.2 A
Typical half-cycle RMS inrush current	
at 240 V, 50 Hz	12.68 A
Typical earth-leakage current	0.65 mA
Power Consumption	
Typical	530 W*
Idle	3.8 W*

*Measurements made at nominal voltage. Allow for a deviation of +/- 10%.

Typical: full output white, no effects moving, regulated fan speed

Hibernation: no output, fans stopped, wake-up procedure to re-use fixture

TYPICAL POWER AND CURRENT

100 V, 50 Hz	525 W, 5.26 A, PF 0.99
120 V, 60 Hz	520 W, 4.33 A, PF 0.99
208 V, 60 Hz	508 W, 2.45 A, PF 0.99
230 V, 50 Hz	506 W, 1.92 A, PF 0.99
240 V, 50 Hz	505 W, 2.11 A, PF 0.99

Measurements made at nominal voltage with all effects active and LEDs at full intensity. Allow for a deviation of +/- 10%.

PF = Power factor

THERMAL

Cooling	Forced air (temperature-regulated, low noise, user-definable levels)
Maximum ambient temperature (Ta max.)	40° C (104° F)
Minimum ambient temperature (Ta min.)	0° C (32° F)
Maximum surface temperature, steady state, at 40° C ambient	68° C (154.4° F)
Total heat dissipation (calculated, +/- 10%)	1,808 BTU/hr.

ACOUSTIC DATA

Sound Pressure Level (LpA) @ 1m (default regulated high fan mode, full output):	26.7dB(A)
Sound Pressure Level (LpA) @ 1m (regulated medium fan mode, full output):	21.1 dB(A)
Sound Pressure Level (LpA) @ 1m (regulated low fan mode, full output):	18.9 dB(A)

ELP MANET^{8f}

LED STAGE AND STUDIO FRESNEL

SPEC SHEET

TECHNICAL SPECIFICATIONS (CONT.)

ENVIRONMENTAL

RoHS	Compliant
REACH	Compliant
WEEE	Compliant
Proposition 65	Compliant
Efficiency	24.5 LM/W & 928.6 LM/kg

APPROVALS

Global CB Certification/IECEE	IEC 60598-2-17 (IEC 60598-1)
EU safety	EN 60598-2-17 (EN 60598-1), EN 62471, EN 62493
EU EMC	EN 55015; EN 55032; EN 55035; EN 61547; EN 61000-3-3
US safety	UL 1573
US EMC	FCC Part 15 Class B
Canadian safety	CSA C22.2 No. 166
Canadian EMC	ICES-003 Class B, ICES-005 Class B
Australia/NZ	RCM
United Kingdom	UKCA
Thailand	TISI 1955-2551
Korea	KS C 9832, KS C 9835

INCLUDED ITEMS

- Multi-language safety and installation manual
- Adjustable mounting bracket
- 4 leaf anti-reflective manual barn door system
- Color filter frame



All measurements in mm

HARMAN PROFESSIONAL INC. • 8500 BALBOA BOULEVARD • NORTHRIDGE • CA 91329 • USA • +1 818 893 8411

©2026 HARMAN Professional. All rights reserved. Martin® is a registered trademark of HARMAN Professional Inc. registered in the United States and/or other countries.

Features, specifications, and appearance are subject to change without notice. REV:20260113



ELP MANET^{8f}

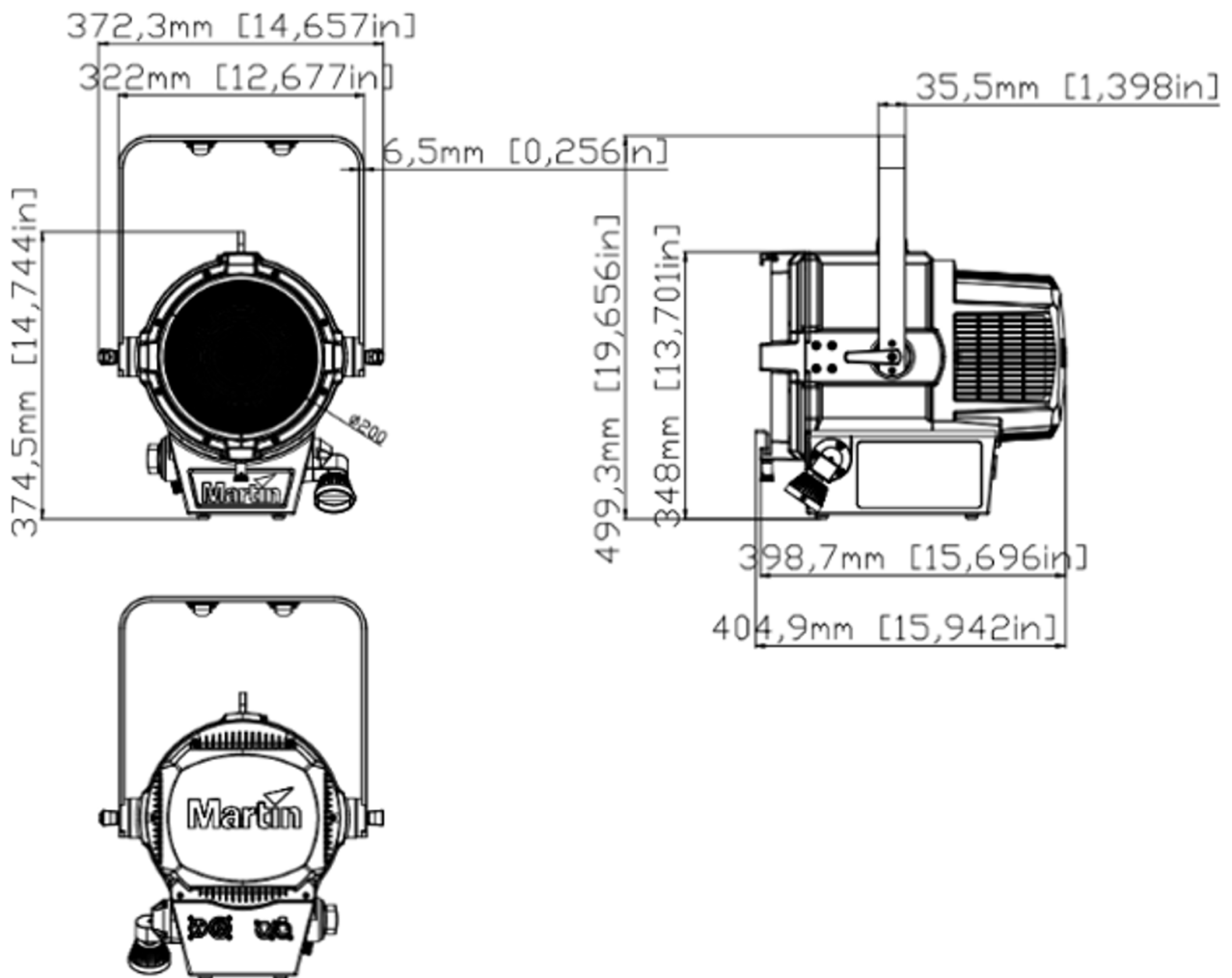
LED STAGE AND STUDIO FRESNEL

SPEC SHEET

DIMENSIONS (BODY & FIXED LENSES)

PHYSICAL

Width (max.)..... 372.3 mm [14.66 in.]
Height (max.) 499.30 mm [19.66 in.]
Depth (max.) 404.90 mm [15.94 in.]
Weight..... 14.0 kg [30.86 lb]



All measurements in mm

HARMAN PROFESSIONAL INC. • 8500 BALBOA BOULEVARD • NORTHRIDGE • CA 91329 • USA • +1 818 893 8411

©2026 HARMAN Professional. All rights reserved. Martin® is a registered trademark of HARMAN Professional Inc. registered in the United States and/or other countries.

Features, specifications, and appearance are subject to change without notice. REV:20260113

Martin[®]