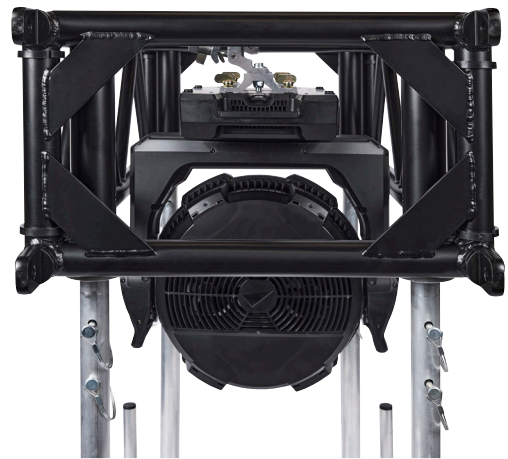


MAC Aura Raven XIP

OUTDOOR WASHLIGHT WITH IMMERSIVE VIDEO BACKDROP

SPEC SHEET



The **Martin MAC Aura Raven XIP** is a premium moving head fixture that combines wash, beam, eye-candy, and smart weatherproof functionality to lead as the biggest, brightest and boldest fixture of the MAC Aura family. Delivering class-leading lumen output and unparalleled performance indoors or outdoors, MAC Aura Raven XIP is perfect for lighting designers, rental companies, and installation customers needing a truly versatile workhorse for illuminating festival stages, theatrical performances, corporate events, and broadcast applications.

With the cleanest wash field in its class and exceptional optical performance, **MAC Aura Raven XIP's** industry-leading light engine delivers over 27,000 lumens of output and a high-intensity beam through its massive 343 mm [13.5 in] front lens. An array of 234 individual LEDs, positioned behind the front lens, creates an enhanced pixelated Aura backlight effect, adding an entirely new layer of visual effect possibilities.

Setting new performance and feature benchmarks for wash, beam, and

eye-candy fixtures, **MAC Aura Raven XIP** uses RGBL (Red, Green, Blue, Lime) light engine LEDs, significantly enhancing skin tones and overall quality of light. It also includes a dark lens, offering a very discreet look that seamlessly blends into more décors and applications.

A significantly enhanced belt-driven zoom system ensures extremely fast and near silent operation. Other firsts for the MAC Aura family include a Universal Connect Module slot; Companion Mobile app control; and yoke handles for easier transport and handling. Martin's P3 control also simplifies setup, configuration, and the mapping and mixing of DMX with video.

MAC Aura Raven XIP is perfect for rental companies and installation customers needing a versatile workhorse that can deliver 70% more brightness than the legendary Martin MAC Quantum Wash. It was also designed to generate higher ROI through lower maintenance requirements as an alternative to IP20-rated fixtures. For lighting designers, we built the fixture to be extremely versatile by combining a powerful wash light with incredible eye-candy effects that can easily be specified for theater, television, or corporate events, while also being outdoor-rated for festivals, concerts, and other events.

Unleash the power of light with the **MAC Aura Raven XIP**. Experience unparalleled performance, superior light quality, and cutting-edge features – experience the flagship **MAC Aura Raven XIP**.

HARMAN PROFESSIONAL INC. • 8500 BALBOA BOULEVARD • NORTHRIDGE • CA 91329 • USA • +1 818 893 8411

©2026 HARMAN Professional. All rights reserved. Martin® is a registered trademark of HARMAN Professional Inc. registered in the United States and/or other countries. Features, specifications, and appearance are subject to change without notice.

REV: 20260108

Martin[®]

MAC Aura Raven XIP

OUTDOOR WASHLIGHT WITH IMMERSIVE VIDEO BACKDROP

SPEC SHEET

FEATURE HIGHLIGHTS

CLASS-LEADING WASH PERFORMANCE & LUMEN OUTPUT

Designed for applications that demand intense illumination with over 27,000 lumens of output, the fixture delivers a smooth, even wash with a soft edge, free from color artifacts, brown edges, or hotspots. The optional BeamShaper accessory is available to cover specific applications, ensuring increased ROI.

BEAUTIFUL RGLB QUALITY OF LIGHT

Thanks to the RGLB (Red, Green, Blue, Lime) LED engine, MAC Aura Raven XIP offers the widest spectrum of light coverage of any MAC Aura fixture.

XIP SMART WEATHERPROOF ADVANTAGE

Thanks to integrated XIP technology, MAC Aura Raven XIP strikes the ideal balance between indoor and outdoor functionality. It combines the compact size, lightweight design, efficiency, sleek appearance, and low noise levels of an indoor fixture with the rugged durability of a heavy-duty, outdoor-rated fixture without sacrificing on size, weight, or performance.

IMMERSIVE AURA EFFECT

Featuring a stunning pixelated Aura backlight effect, powered by 234 LEDs and integrating a dark lens background, MAC Aura Raven XIP creates a captivating 'round video screen' appearance, adding dynamic visual impact to any setting with vivid, immersive lighting.

REFINED ELEGANCE

MAC Aura Raven XIP integrates an elegant, creative design that seamlessly blends into any environment, regardless of its size. With its sleek housing and dark lens, the fixture is not only visually subtle, but also operates with near-silent performance.

FEATURES

- **27,000 lumens** of output
- **Silent and extremely fast zoom system** with a range from 6 to 51°
- **RGLB (Red/Green/Blue/Lime) LED engine** providing higher light quality (CRI / TM-30 / TLCI)
- **Large 343 mm (13.5 in) diameter front lens**
- **Dark lens** offering a much more discreet look and higher contrast for the pixelated Aura backlight effect
- **Pixelated Aura Backlight Effect** with 234 RGB LEDs
- **Full pixel-control** over 37 main LEDs and 234 Aura backlight LEDs
- **DMX, Art-Net, sACN & Martin P3 control**
- **XIP smart weatherproof technology** for temporary outdoor use
- Most **compact and lightweight** fixture in its class
- **Yoke handles** for easy handling of the fixture, and easy, up-side-down flipping
- **Battery-powered display** for setup and configuration
- **NFC interface** supporting configuration and diagnostics via Companion Mobile App
- **Universal Connect Module slot** supporting third-party wireless modules
- **Optional BeamShaper module** that can be added and shapes the field of light being projected

MAC Aura Raven XIP

OUTDOOR WASHLIGHT WITH IMMERSIVE VIDEO BACKDROP

SPEC SHEET

INCLUDED ITEMS

- Two omega brackets with 1/4 turn fasteners for rigging clamp attachment
- SoftLens
- Multi-Language Safety and Installation Manual

RELATED ITEMS

- Martin Companion Cable (for firmware update over DMX): P/N 91616091
- Martin Companion Software (for firmware update over DMX/Ethernet and fixture setup/configuration via NFC): Free download from www.martin.com, app store and play store

ACCESSORIES

OPTICAL

- MAC Aura Raven XIP BeamShaper Module: P/N MAR-91614064HU

TRANSPORT AND STORAGE

- Flightcase for 2 x MAC Aura Raven XIP without SiP inserts: P/N MAR-91515064
- Additional SiP Foam Flightcase Insert for MAC Aura Raven XIP: P/N MAR-91611864HU

CONSUMABLES

- CR123A 3-volt lithium battery: P/N 05801011

SPARE PARTS

- Additional MAC Aura Raven XIP SoftLens: P/N 5145811-00

POWER INPUT CABLES

- Power Input Cable, H07RN-F, 2.5 mm², bare ends to TRUE1 NAC3FX-W TOP (female), 1.5 m (4.9 ft.) P/N 91611797
- Power Input Cable, SJOOW, 12 AWG, bare ends to TRUE1 NAC3FX-W TOP (female), 1.5 m (4.9 ft.) P/N 91610173

POWER DAISY CHAIN CABLES

- Power Relay Cable, H07RN-F, 2.5 mm², TRUE1 to TRUE1, 2.5 m (8.2 ft.): P/N 91611796
- Power Relay Cable, SJOOW, 12 AWG, TRUE1 to TRUE1, 2.5 m (8.2 ft.): P/N 91610172

POWER CONNECTORS

- Cable Connector, Neutrik powerCON TRUE1 TOP Female: P/N 91611789HU
- Cable Connector, Neutrik PowerCON TRUE1 TOP Male: P/N 91611788HU

INSTALLATION HARDWARE

- G-clamp (suspension with fixture hanging vertically downwards only): P/N 91602003
- Half-coupler Clamp: P/N 91602005
- Quick Trigger Clamp (suspension with fixture hanging vertically downwards only): P/N 91602007
- Safety Cable, SWL 60 kg, BGV C1 / DGUV 17, black: P/N 91604006
- Safety Cable, SWL 60 kg, BGV C1 / DGUV 17, silver: P/N 91604007

VERIFIED THIRD-PARTY ACCESSORIES

BEAM CONTROL

- MAC Aura Raven XIP Top Hat: P/N City Theatrical 2825
- MAC Aura Raven XIP Hexcel Louver: P/N City Theatrical 2824
- MAC Aura Raven XIP Concentric Ring: P/N City Theatrical 2823

UNIVERSAL CONNECT MODULE

- Multiverse Connect Module 2.4GHz: P/N City Theatrical 5914
- Multiverse Connect Module 900MHz: P/N City Theatrical 5915

ORDERING INFORMATION

- MAC Aura Raven XIP in EPS (in cardboard box, polystyrene packaging): P/N MAR-90250400HU
- MAC Aura Raven XIP in SiP (in cardboard box with SiP foam flight case insert): P/N MAR-90250405HU
- MAC Aura Raven XIP white in EPS (in cardboard box, polystyrene packaging): P/N MAR-90250410HU

MAC Aura Raven XIP

OUTDOOR WASHLIGHT WITH IMMERSIVE VIDEO BACKDROP

SPEC SHEET

TECHNICAL SPECIFICATIONS

DYNAMIC EFFECTS

Beam Dimmer/Shutter:	0 - 100% continuous dimming, regular and random strobe, instant open and blackout
Beam Dimming Options:	Choice of four dimming curves
Beam Color Mixing:	RGB(L), independently variable 0 - 100%
Beam Color Temperature Control:	Variable 2,000 – 12,850 K
Beam Tint Control:	Variable green-magenta shift Δuv -0.05 – +0.05
Beam Virtual Color Wheel:	48 color presets, continuous rotation & random color
Zoom:	Motorized with 1:5.3 zoom ratio
Pan:	Motorized 540°
Tilt:	Motorized 250°
Beam PixelMapping:	Individual RGB control of each of the 37 Beam pixels
Beam P3 Mix:	Videomapping of fixture with variable crossfade between DMX control and video control
Aura Dimmer/Shutter:	0 – 100% continuous dimming, regular and random strobe effects, instant open and blackout
Aura Dimming Options:	Choice of four dimming curves
Aura Color Mixing:	RGB, independently variable 0 - 100%
Aura Color Temperature Control:	Variable 2,000 – 12,850 K
Aura Tint Control:	Variable green-magenta shift Δuv -0.05 – +0.05
Aura Virtual Color Wheel:	48 color presets, continuous rotation & random color
Aura PixelMapping:	Individual RGB control of each of the 234 Aura pixels
Aura P3 Mix:	Videomapping of fixture with variable crossfade between DMX control and video control
Pre-programmed Effects:	Two ranges of FX on Beam, Aura or Combination; independent or synchronized/combined; featuring foreground color, background color, speed and direction control
LED Frequency Control:	Variable LED PWM control

CONTROL AND PROGRAMMING

Control Protocols:	DMX, RDM, Art-Net, RDM over Art-Net, sACN and Martin P3
Protocol Detection:	Automatic
DMX Modes:	Compact, Basic, Extended, Ludicrous, Plaid & Compact Direct
DMX Channels:	22, 38, 149, 266, 851 & 22
Multi-Universe Overflow:	Yes, in all DMX Modes
16-bit Controllable Parameters:	Beam & Aura Dimming, Beam Color Mixing, Zoom, BeamShaper Indexing, Pan and Tilt
Setting and Addressing:	Display Menu, NFC, RDM, RDM over Art-Net or Martin P3
Local User Interface:	Backlit LCD Display with battery-powered operation and integrated NFC antenna
Fixture Identification:	User-settable ID number
DMX Compliance:	USITT DMX512-A

RDM Compliance:	ANSI/ESTA E1.20
Art-Net Compliance:	Art-Net 1, 2, 3 and 4; including RDM over Art-Net
sACN Compliance:	ANSI E1.31 - 2018
Martin P3 Compliance:	P3 System Controller Software 6.2.0 or newer
DMX/RDM Transceiver:	Galvanic-isolated RS-485
DMX/RDM Daisy-Chain Limit:	32 fixtures
Ethernet Transceiver:	10/100Mbit (with fail-safe bypass)
Ethernet Daisy-Chain Limit Recommendation:	50 fixtures
Firmware Update:	Via USB type C memory device, via DMX using Martin Companion or via Ethernet using Martin Companion / P3 System Controller

OPTICS

Front Lens Diameter:	343 mm (13.5 in.)
Zoom Range:	1:5.3
Full Zoom Range at Half Peak (Beam Angle):	6.6° - 35.3°
Full Zoom Range at Tenth Peak (Field Angle):	9.9° - 51.0°
Beam Light Source:	37 x 40 W RGBL LED
Aura Light Source:	234 x 0.25 W RGB LED
Max. Total Beam LED Engine Power:	830 W
Max. Total Aura LED Engine Power:	70 W
Minimum LED lifetime:	> 50,000 hours (to > 70% luminous output)*

*Figure obtained under manufacturer's test conditions

PHOTOMETRIC DATA

Light Engine Luminous Output:	39,000 lumens
Fixture Luminous Output Wide:	27,000 lumens
Fixture Luminous Output Narrow:	23,000 lumens
Peak Luminous Intensity Narrow:	1,900,000 cd
CCT:	Variable 2,000 – 12,850 K (+/- 200 K)
CRI (Color Rendering Index):	≥ 82
CQS (Color Quality Scale):	≥ 89
TM-30 Rf (IES TM-30-15 Fidelity Index):	≥ 84
TM-30 Rg (IES TM-30-15 Gamut Index):	≥ 110
TLCI (Television Lighting Consistency Index):	≥ 84
Beam LED Refresh Rate:	2,400 Hz with fine adjustment (+/- 2%) and 19,200 Hz mode (DMX controllable)
Backlight LED Refresh Rate:	62,500 Hz
Binning:	Tight color and flux binning
Calibration:	Full Gamut Color Calibration of Beam and Aura
Color Modes:	Direct Color Mode, Extended Gamut Mode and Calibrated Color Mode

* All Photometric Data measured in steady state (30 minutes warm-up time) at 25°C ambient

* All Photometric Data measured at 6500 K white

MAC Aura Raven XIP

OUTDOOR WASHLIGHT WITH IMMERSIVE VIDEO BACKDROP

SPEC SHEET

TECHNICAL SPECIFICATIONS (Cont.)

CONSTRUCTION

Housing: High-impact flame-retardant thermo-plastic
Color: Black
Protection Rating: IP54

INSTALLATION

Mounting Points: 4 pairs of 1/4-turn points for 106 mm (4.17 in.) center-to-center omega brackets
Location: Indoor or Temporary Outdoor use
Orientation: Any, except with display facing upwards in outdoor application
Minimum distance to combustible materials: 0.2 m (7.9 in.)
Minimum distance to illuminated surfaces: 2.5 m (98.4 in.)

CONNECTIONS

AC mains power in/thru: Neutrik powerCON TRUE1 TOP
DMX and RDM data in/thru: Neutrik 5-pin locking XLR TOP
Ethernet (Art-Net, sACN and Martin P3) in/thru, including fail-safe bypass: Neutrik etherCON TOP
Firmware from flash memory: USB 2.0 type C port
Accessory Plug-In: Universal Connect Module Slot

ELECTRICAL

AC power: 100-240 V AC nominal, 50/60 Hz
Power Supply Unit: Auto-ranging electronic switch mode
Typical half-cycle RMS inrush current at 230 V, 50 Hz: 17 A
Typical earth-leakage current: 0.7 mA
Power Factor: 0.99 @ 100 V / 120 V / 208 V / 230 V, 0.98 @ 240 V
Max current draw: 11.3 A @ 100 V / 120 V, 5.6 A @ 208 V, 4.8 A @ 230 V / 240 V
Typical current draw: 9.8 A @ 100 V, 8.1 A @ 120 V, 4.6 A @ 208 V, 4.2 A @ 230 V, 4.0 A @ 240 V *

POWER CONSUMPTION

Maximum: 1120 W
Typical: 1020 W *
Idle: 135 W *
Hibernation: 6 W *

* Measurements made at nominal voltage. Allow for a deviation of +/- 10%.

Typical: full output white, no effects moving, regulated fan speed.

Idle: no output, no effects moving, regulated fan speed.

Hibernation: no output, motors de-energized, fans stopped, wake-up procedure to re-use fixture.

THERMAL

Cooling: Forced air (temperature regulated, low noise, user-definable levels)

Maximum Ambient Temperature (Ta max): 40° C (104° F)

Minimum Ambient Temperature (Ta min): -10° C (14° F) – Warm up condition may apply

Maximum surface temperature, steady state, at 40° C ambient: 80° C (176° F)

Total heat dissipation (calculated, +/- 10%): 3478 BTU/hr.

ACOUSTIC DATA

Sound Pressure Level (LpA) @ 1 m (regulated fan mode, full output): 35.5 dB(A)

Sound Pressure Level (LpA) @ 1 m (constant fan mode ultra low): 23.6 dB(A)

ENVIRONMENTAL

RoHS: Compliant
REACH: Compliant
WEEE: Compliant
Proposition 65: Compliant
Packaging: FSC Certified cardboard outer packaging & Recycled EPS inner packaging

Efficacy (max output): 26.4 lm/W
LWR*: 937 lm/kg (425 lm/lbs.)

* LWR = Lumen-to-Weight Ratio

APPROVALS

Global CB Certification/IECEE: IEC 60598-2-17 (IEC 60598-1)
EU safety: EN 60598-2-17 (EN 60598-1), EN 62471, EN 62493
EU EMC: EN 55015; EN 55032; EN 55035; EN 61547; EN 61000-3-3
US safety: UL 1573
US EMC: FCC Part 15 Class B
Canadian safety: CSA C22.2 No. 166
Canadian EMC: ICES-003 Class B, ICES-005 Class B
Australia/NZ: RCM
United Kingdom: UKCA
Thailand: TISI 1955-2551
Korea: KS C 9832, KS C 9835



MAC Aura Raven XIP

OUTDOOR WASHLIGHT WITH IMMERSIVE VIDEO BACKDROP

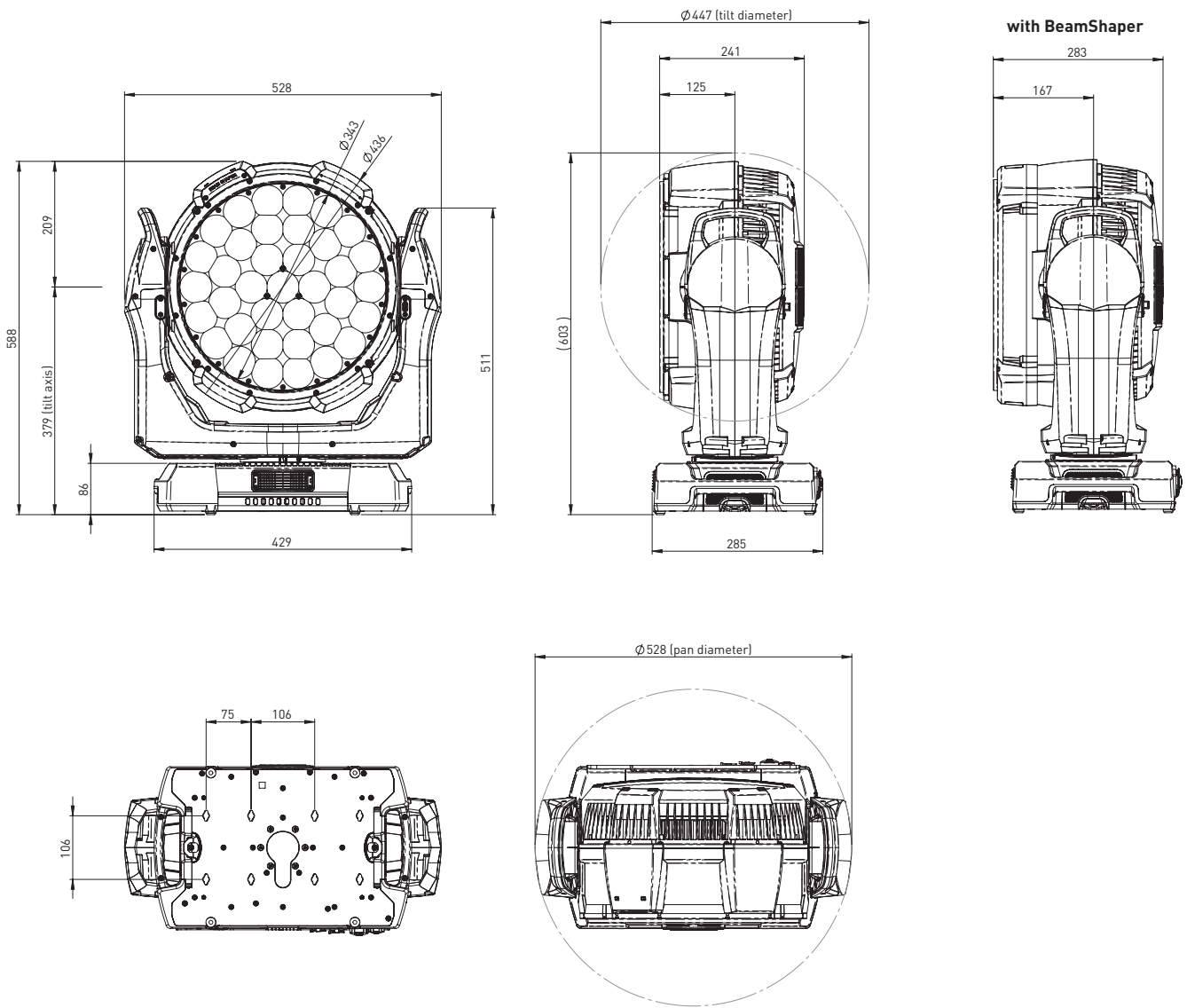
SPEC SHEET

DIMENSIONS

PHYSICAL

Width (across yoke): 528 mm (20.8 in.)
 Width (base): 429 mm (16.9 in.)
 Height (head forward): 588 mm (23.1 in.)
 Height (maximum): 603 mm (23.7 in.)

Depth (head): 241 mm (9.5 in.)
 Depth (base): 285 mm (11.2 in.)
 Minimum center-to-center distance
 in side-by-side installation: 540 mm (21 in.)
 Weight: 28.8 kg (63.5 lbs.)



All dimensions are in mm