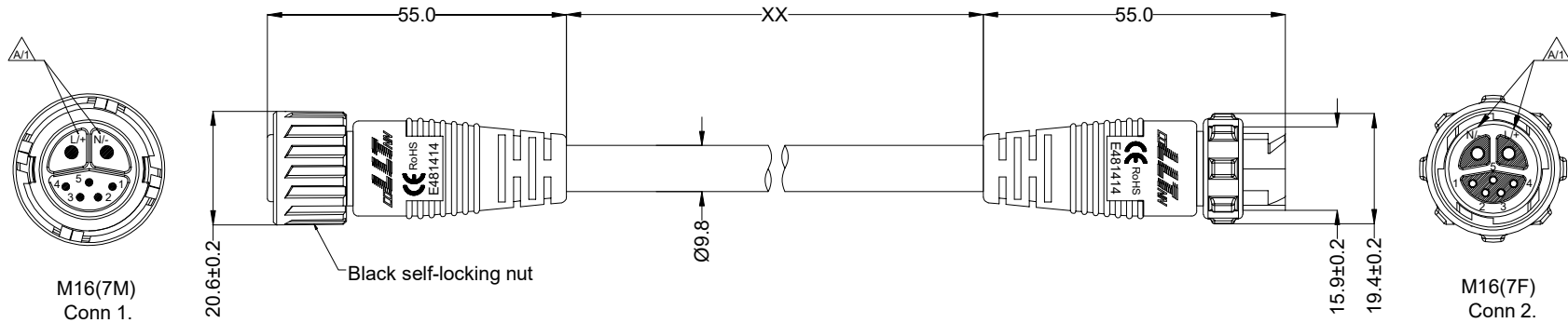


REVISION HISTORY

DATE	REV.	DESCRIPTION	BY
29-May-2023	A	First release	JL/DS
04-Jul-2024	A/1	Update Power Pin Identifier.	JL/DS
30-Dec-2025	A/2	Update the frame and add spring material.	JL/DS
03-Feb-2026	A/3	Update cable LSZH to be independent	JL/DS

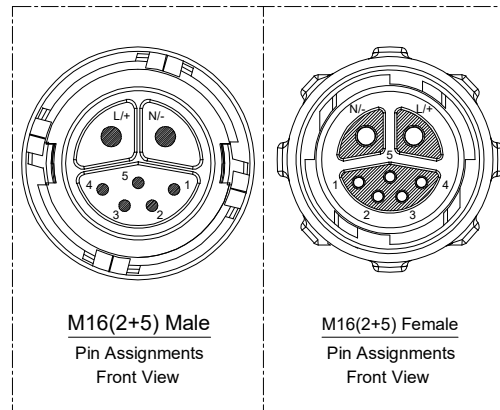


Drawing applies to:

- MAR-91700100 DC + Ethernet Cable DCE-DCE 1m,Weight:165grams
- MAR-91700101 DC + Ethernet Cable DCE-DCE 2.5m,Weight:359grams
- MAR-91700102 DC + Ethernet Cable DCE-DCE 5m,Weight:681grams
- MAR-91700103 DC + Ethernet Cable DCE-DCE 10m,Weight:1325grams
- MAR-91700104 DC + Ethernet Cable DCE-DCE 25m,Weight:3259grams
- MAR-91700105 DC + Ethernet Cable 100m(No Connectors),Weight:12890grams
- MAR-91700107 Field-installable Connector DCE Male,Weight:17grams
- MAR-91700108 Field-installable Connector DCE Female,Weight:18grams

NOTE:

1. Operation Temperature: Connector (-30°C~105°C)/ Cable(-30°C~80°C)
2. Waterproof Rating: IP67
3. Connection Style(Pin&Wire): Soldering
4. Over-mold Material: Nylon
5. Fireproof Rating: UL94V-0
6. Connector Contact: Power Pin Ø1.5mm,Signal Pin Ø0.8mm
7. Contact & Coating: Brass With Gold Plated
8. Sealing: Silica Gel O-ring
9. Spring: 304 stainless steel
10. Current Rating: Power Pin 10A,Signal Pin 3A
11. Voltage Rating: DC 48V
12. Hot-Pluggable(According to UL1977): 48V,15A,250 Cycles
13. Cable:UL21388 Type,UL758 Certificate
14. Cable Minimum Bending Radius:12*D



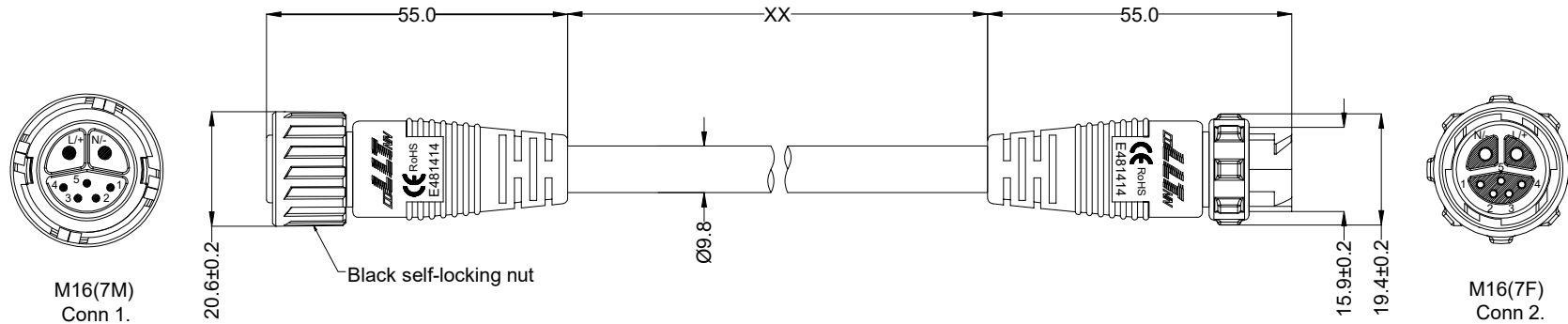
P1	Function		M16 Cable Color	P1
L/+	Power	Vcc(48v)	Red(15AWG,1.65mm ²)	L/+
N/-	Power	GND	Black(15AWG,1.65mm ²)	N/-
1	Data	Data TX +	White/Orange(24AWG,0.2mm ²)	1
2	Data	Data TX -	Orange(24AWG,0.2mm ²)	2
3	Data	Data RX +	White/Green(24AWG,0.2mm ²)	3
4	Data	Data RX -	Green(24AWG,0.2mm ²)	4
5	Data	Data Shield	Data Shield	5

PIN OUT

<p>ROHS RESTRICTION OF HAZARDOUS SUBSTANCES ALL MATERIALS USED IN THIS PART MUST BE ROHS COMPLIANT. SUPPLIER SHALL PROVIDE A CERTIFICATE OF ROHS COMPLIANCE WITH THE FIRST ARTICLE.</p>	<p>DIMENSIONS SHOWN ARE FOR REFERENCE AND INSPECTION ONLY. REFER TO CAD MODEL PROVIDED WITH THIS DRAWING FOR OVERALL DEFINITION OF PART GEOMETRY.</p>		<p>FIRST ANGLE PROJECTION</p>		<p>Martin HARMAN Professional Denmark ApS Olof Palmes Allé 44 DK 8200 Aarhus N</p>		
	<p>Material</p>	<p>Surface treatment</p>		<p>TITLE DC + Ethernet Cable DCE-DCE</p>			
<p>2025 © HARMAN INTERNATIONAL INDUSTRIES, INCORPORATED. ALL RIGHTS RESERVED. DO NOT USE, DISCLOSE, SELL, REPRODUCE, PUBLISH OR MODIFY WITHOUT AUTHORIZED WRITTEN HARMAN PERMISSION.</p>	<p>Weight</p>	<p>Color</p>		<p>NO. MAR-917001 X X REV A</p>			
<p>General linear tolerance</p>	<p>General angular tolerance</p>		<p>SIZE A4</p>	<p>SCALE 1:1</p>	<p>UNIT mm</p>	<p>DO NOT SCALE DRAWING</p>	<p>SHEET OF 1 1</p>

REVISION HISTORY

DATE	REV.	DESCRIPTION	BY
03-Feb-2026	A	First release	JL/DS

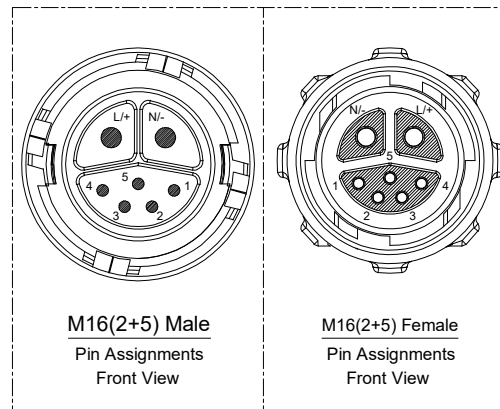


Drawing applies to:

- MAR-91401916 DC + Ethernet Cable LSZH DCE-DCE 90M,Weight:10116grams
- MAR-91401942 DC + Ethernet Cable LSZH DCE-DCE 55M,Weight:6196grams
- MAR-91401943 DC + Ethernet Cable LSZH DCE-DCE 20M,Weight:2276grams
- MAR-91700106 DC + Ethernet Cable LSZH 100m ,Weight:11200grams
- MAR-91700107 Field-installable Connector DCE Male,Weight:17grams
- MAR-91700108 Field-installable Connector DCE Female,Weight:18grams

NOTE:

1. Operation Temperature: Connector (-30°C~105°C)/ Cable(-20°C~80°C)
2. Waterproof Rating: IP67
3. Connection Style(Pin&Wire): Soldering
4. Over-mold Material: Nylon
5. Fireproof Rating: UL94V-0
6. Connector Contact: Power Pin Ø1.5mm,Signal Pin Ø0.8mm
7. Contact & Coating: Brass With Gold Plated
8. Sealing: Silica Gel O-ring
9. Spring: 304 stainless steel
10. Current Rating: Power Pin 10A,Signal Pin 3A
11. Voltage Rating: DC 48V
12. Hot-Pluggable(According to UL1977): 48V,15A,250 Cycles
13. Cable:UL21307 Type,UL758 Certificate
14. Cable Minimum Bending Radius:12*D

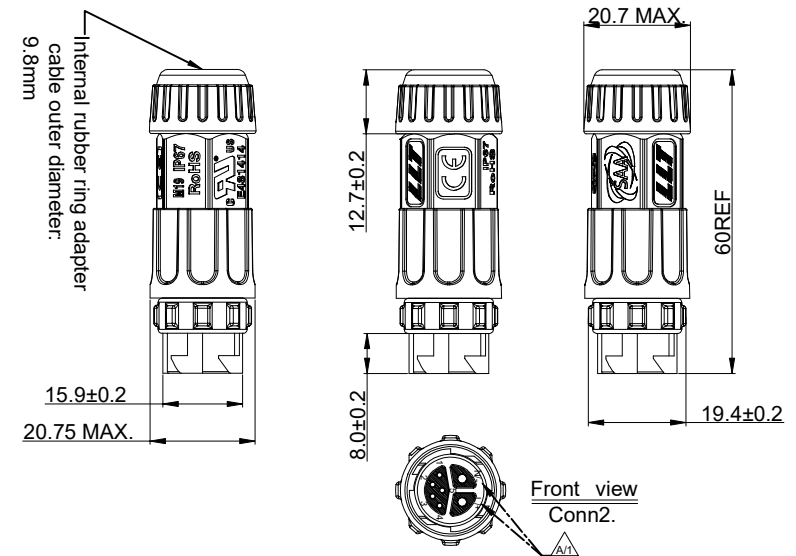
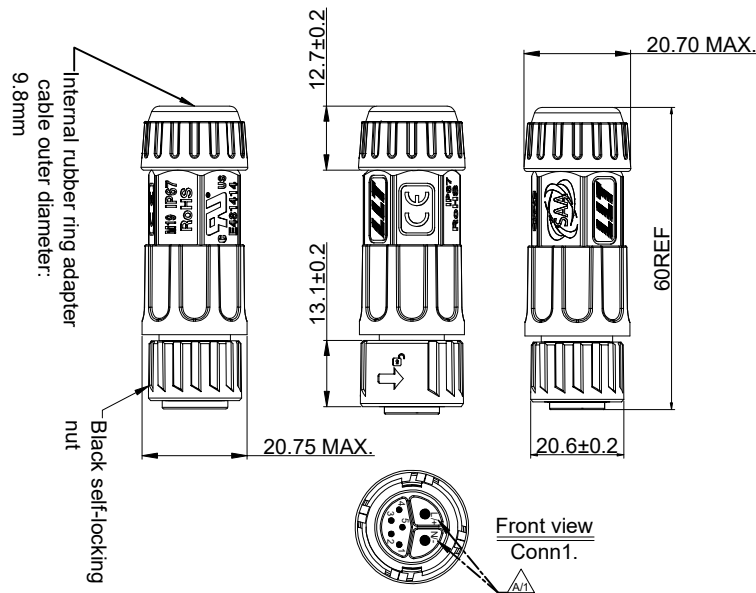


P1	Function		M16 Cable Color	P1
L/+	Power	Vcc(48v)	Red(15AWG,1.65mm ²)	L/+
N/-	Power	GND	Black(15AWG,1.65mm ²)	N/-
1	Data	Data TX +	White/Orange(24AWG,0.2mm ²)	1
2	Data	Data TX -	Orange(24AWG,0.2mm ²)	2
3	Data	Data RX +	White/Green(24AWG,0.2mm ²)	3
4	Data	Data RX -	Green(24AWG,0.2mm ²)	4
5	Data	Data Shield	Data Shield	5
PIN OUT				

<p>ROHS RESTRICTION OF HAZARDOUS SUBSTANCES ALL MATERIALS USED IN THIS PART MUST BE ROHS COMPLIANT. SUPPLIER SHALL PROVIDE A CERTIFICATE OF ROHS COMPLIANCE WITH THE FIRST ARTICLE.</p>	<p>DIMENSIONS SHOWN ARE FOR REFERENCE AND INSPECTION ONLY. REFER TO CAD MODEL PROVIDED WITH THIS DRAWING FOR OVERALL DEFINITION OF PART GEOMETRY.</p>		<p>FIRST ANGLE PROJECTION</p>	<p>Martin HARMAN Professional Denmark ApS Olof Palmes Allé 44 DK 8200 Aarhus N</p>			
	Material	Surface treatment	TITLE				
<p>2025 © HARMAN INTERNATIONAL INDUSTRIES, INCORPORATED. ALL RIGHTS RESERVED. DO NOT USE, DISCLOSE, SELL, REPRODUCE, PUBLISH OR MODIFY WITHOUT AUTHORIZED WRITTEN HARMAN PERMISSION.</p>	Weight	Color	<p>DC + Ethernet Cable LSZH DCE-DCE</p>				
General linear tolerance	General angular tolerance	NO. MAR-914019 X X MAR-917001 X X	<p>REV A</p>				
		SIZE A4	SCALE 1:1	UNIT mm	DO NOT SCALE DRAWING	SHEET 1	OF 1

REVISION HISTORY

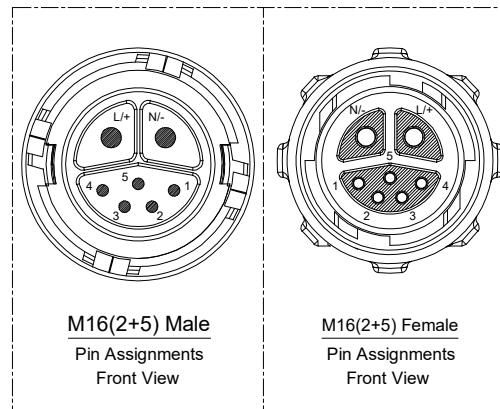
DATE	REV.	DESCRIPTION	BY
29-May-2023	A	First release.	JL/DS
04-Jul-2024	A/1	Update Power Pin Identifier.	JL/DS
30-Dec-2025	A/2	Update the frame and add spring material.	JL/DS



Drawing applies to:
 MAR-91700107 Field-installable Connector DCE Male,Weight:17grams
 MAR-91700108 Field-installable Connector DCE Female,Weight:18grams

Technical Specs:
 Current Rating: 10A(Power Pin),3A(Data Pin)
 Voltage Rating: 48V/48V DC
 Pcontact Resistance: ≤20 mΩ
 Insulation Resistance: ≥20MΩ
 Dielectric Strength: Min 600VRMS
 Mechanical Life: Min 1500 Cycles
 Operation Temperature: -30°C To +105°C
 Waterproof Grade: IP67

Material:
 Contact: Brass, Gold-plated
 Contact Plastic: Nylon,UL94V-0
 Glue Filling: Epoxy Resin
 Sealing:Silica Gel O-ring
 Spring: 304 stainless steel



P1	Function		M16 Cable Color	P1
L/+	Power	Vcc(48v)	Red(15AWG,1.65mm ²)	L/+
N/-	Power	GND	Black(15AWG,1.65mm ²)	N/-
1	Data	Data TX +	White/Orange(24AWG,0.2mm ²)	1
2	Data	Data TX -	Orange(24AWG,0.2mm ²)	2
3	Data	Data RX +	White/Green(24AWG,0.2mm ²)	3
4	Data	Data RX -	Green(24AWG,0.2mm ²)	4
5	Data	Data Shield	Data Shield	5

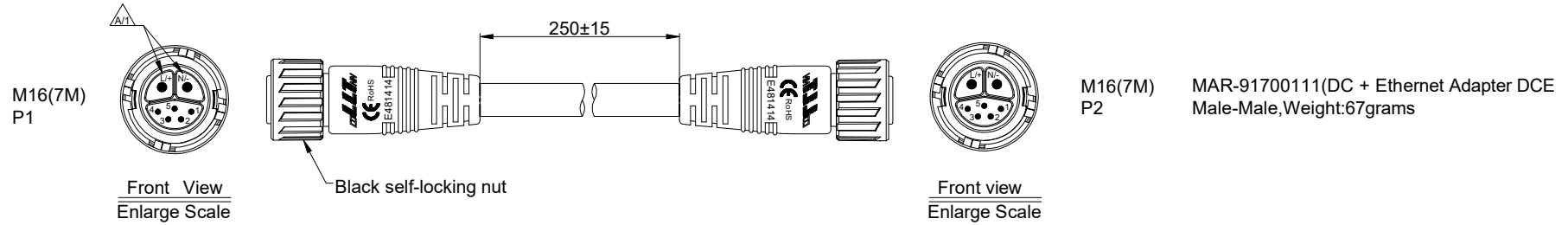
PIN OUT



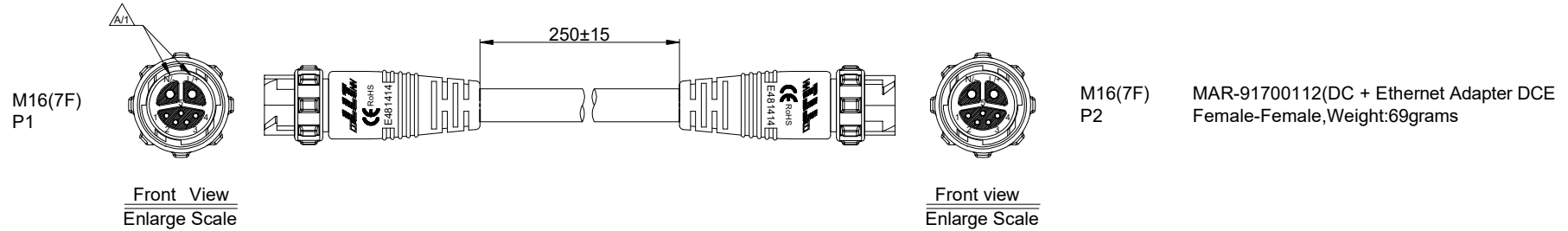
<p>ROHS RESTRICTION OF HAZARDOUS SUBSTANCES ALL MATERIALS USED IN THIS PART MUST BE ROHS COMPLIANT. SUPPLIER SHALL PROVIDE A CERTIFICATE OF ROHS COMPLIANCE WITH THE FIRST ARTICLE.</p>	DIMENSIONS SHOWN ARE FOR REFERENCE AND INSPECTION ONLY. REFER TO CAD MODEL PROVIDED WITH THIS DRAWING FOR OVERALL DEFINITION OF PART GEOMETRY.		FIRST ANGLE PROJECTION						HARMAN Professional Denmark ApS Olof Palmes Allé 44 DK 8200 Aarhus N	
	Material	Surface treatment		TITLE DC + Ethernet Cable DCE-DCE		NO. MAR-917001 X X		REV A		SHEET OF 1 1
2025 © HARMAN INTERNATIONAL INDUSTRIES, INCORPORATED. ALL RIGHTS RESERVED. DO NOT USE, DISCLOSE, SELL, REPRODUCE, PUBLISH OR MODIFY WITHOUT AUTHORIZED WRITTEN HARMAN PERMISSION.	Weight	Color		SIZE A4	SCALE 1:1	UNIT mm	DO NOT SCALE DRAWING		SHEET OF 1 1	
General linear tolerance	General angular tolerance		Color		NO. MAR-917001 X X		REV A		SHEET OF 1 1	

REVISION HISTORY

DATE	REV.	DESCRIPTION	BY
29-May-2023	A	First release	JL/DS
04-Jul-2024	A/1	Update Power Pin Identifier.	JL/DS
30-Dec-2025	A/2	Update the frame and add spring material.	JL/DS



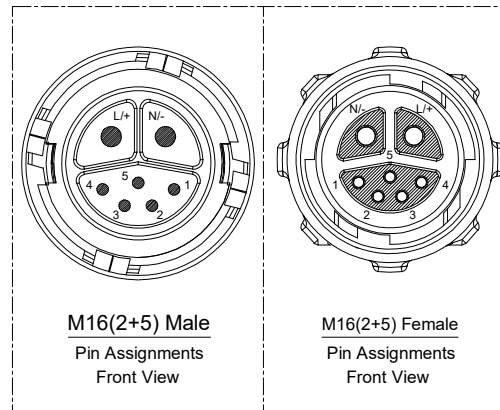
MAR-91700111(DC + Ethernet Adapter DCE Male-Male,Weight:67grams)



MAR-91700112(DC + Ethernet Adapter DCE Female-Female,Weight:69grams)

NOTE:

1. Operation Temperature: Connector (-30°C~105°C)/ Cable (-30°C~80°C)
2. Waterproof Rating: IP67
3. Connection Style(Pin&Wire): Soldering
4. Over-mold Material: Nylon
5. Fireproof Rating: UL94V-0
6. Connector Contact: Power Pin Ø1.5mm,Signal Pin Ø0.8mm
7. Contact & Coating: Brass With Gold Plated
8. Sealing: Silica Gel O-ring
9. Spring: 304 stainless steel
10. Current Rating: Power Pin 10A,Signal Pin 3A
11. Voltage Rating: DC 48V
12. Hot-Pluggable(According to UL1977): 48V,15A,250 Cycles
13. Cable:UL21388 Type,UL758 Certificate
14. Cable Minimum Bending Radius:12*D



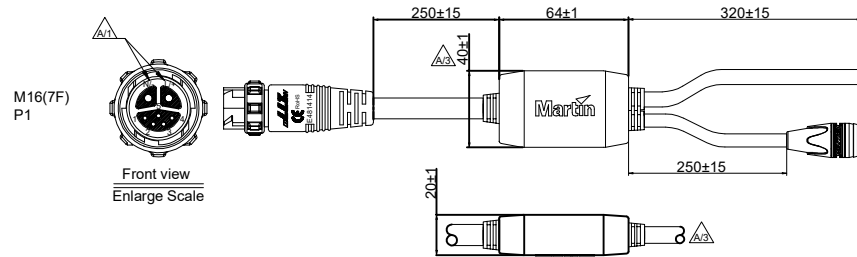
P1	Function		M16 Cable Color	P1
L/+	Power	Vcc(48v)	Red(15AWG,1.65mm ²)	L/+
N/-	Power	GND	Black(15AWG,1.65mm ²)	N/-
1	Data	Data TX +	White/Orange(24AWG,0.2mm ²)	1
2	Data	Data TX -	Orange(24AWG,0.2mm ²)	2
3	Data	Data RX +	White/Green(24AWG,0.2mm ²)	3
4	Data	Data RX -	Green(24AWG,0.2mm ²)	4
5	Data	Data Shield	Data Shield	5

PIN OUT

<p>ROHS</p> <p>RESTRICTION OF HAZARDOUS SUBSTANCES ALL MATERIALS USED IN THIS PART MUST BE ROHS COMPLIANT. SUPPLIER SHALL PROVIDE A CERTIFICATE OF ROHS COMPLIANCE WITH THE FIRST ARTICLE.</p>	<p>DIMENSIONS SHOWN ARE FOR REFERENCE AND INSPECTION ONLY. REFER TO CAD MODEL PROVIDED WITH THIS DRAWING FOR OVERALL DEFINITION OF PART GEOMETRY.</p>		<p>FIRST ANGLE PROJECTION</p>		<p>Martin</p> <p>HARMAN Professional Denmark ApS Olof Palmes Allé 44 DK 8200 Aarhus N</p>			
	<p>Material</p>		<p>Surface treatment</p>		<p>TITLE DC + Ethernet Adapter DCE Male-Male DC + Ethernet Adapter DCE Female-Female</p>			
<p>2025 © HARMAN INTERNATIONAL INDUSTRIES, INCORPORATED. ALL RIGHTS RESERVED. DO NOT USE, DISCLOSE, SELL, REPRODUCE, PUBLISH OR MODIFY WITHOUT AUTHORIZED WRITTEN HARMAN PERMISSION.</p>		<p>Weight</p>		<p>Color</p>		<p>NO. MAR-917001 X X REV A</p>		
<p>General linear tolerance</p>		<p>General angular tolerance</p>		<p>SIZE A4</p>	<p>SCALE 1:1</p>	<p>UNIT mm</p>	<p>DO NOT SCALE DRAWING</p>	<p>SHEET OF 1 1</p>

REVISION HISTORY

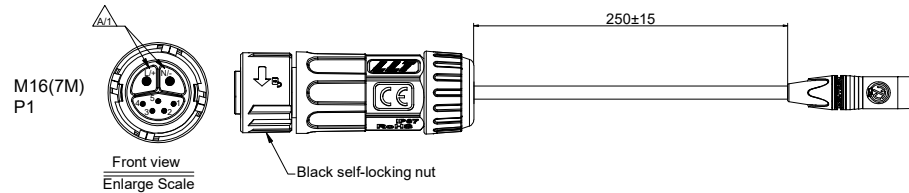
DATE	REV.	DESCRIPTION	BY
29-May-2023	A	First release.	JL/DS
04-Jul-2024	A/1	Update Power Pin Identifier.	JL/DS
30-Dec-2025	A/2	Update the frame and add spring material.	JL/DS
04-Feb-2026	A/3	Add SR view and dimension annotation.	JL/DS



P2

NE8MX-TOP
P3

MAR-91700113(DC + Ethernet Adapter Ether+Wires to DCE)
Weight:191grams



NE8MX-TOP
P2

MAR-91700114(DC + Ethernet Adapter DCE to Wire Tails)
Weight:67grams

NOTE:

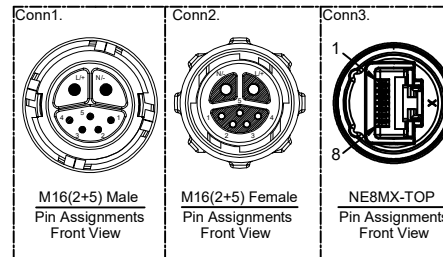
1. Operation Temperature: Connector (-30°C~105°C) / Cable(-20°C~80°C)
2. Waterproof Rating: IP65
3. Connection Style(Pin&Wire): Soldering
4. P1 Over-mold Material: Nylon
5. SR Over-mold Material: PVC
6. Fireproof Rating: UL94V-0
7. Connector Contact: Power Pin Ø1.5mm,Signal Pin Ø0.8mm
8. Contact & Coating: Brass With Gold Plated
9. Sealing: Silica Gel O-ring
10. Spring: 304 stainless steel
11. Current Rating: Power Pin 10A,Signal Pin 3A
12. Voltage Rating: DC 48V
13. Hot-Pluggable(According to UL1977): 48V,15A,250 Cycles
14. Cable 1:UL21388 Type,UL758 Certificate,Cable Minimum Bending Radius:12*D,Operation Temperature -30°C~80°C
15. Cable 2:SJTW Power Cable,Cable Minimum Bending Radius:12*D,Operation Temperature -40°C~80°C
16. Cable 3:CAT.5e Ethernet Cable,CAT.5e Minimum Bending Radius:8*D,Operation Temperature -20°C~80°C

P1	Function	Cable Color	P2
L/+	Power	Vcc(48v)	---
N/-	Power	GND	---
1	Data	Data TX +	White/Orange (24AWG,0.2mm²)
2	Data	Data TX -	Orange (24AWG,0.2mm²)
3	Data	Data RX +	White/Green (24AWG,0.2mm²)
4	Data	Data RX -	Green (24AWG,0.2mm²)
5	Data	Data Shield	Data Shield (24AWG,0.2mm²)
---	---	NO Function	Blue (24AWG,0.2mm²)
---	---	NO Function	White/Blue (24AWG,0.2mm²)
---	---	NO Function	White/Brown (24AWG,0.2mm²)
---	---	NO Function	Brown (24AWG,0.2mm²)

PIN OUT(MAR-91700114)

P1	Function	Cable Color	P2	P3
L/+	Power	Vcc(48v)	Red (15AWG,1.65mm²)	CUT
N/-	Power	GND	Black (15AWG,1.65mm²)	CUT
1	Data	Ethernet TX +	White/Orange (24AWG,0.2mm²)	---
2	Data	Ethernet TX -	Orange (24AWG,0.2mm²)	---
3	Data	Ethernet RX +	White/Green (24AWG,0.2mm²)	---
4	Data	Ethernet RX -	Green (24AWG,0.2mm²)	---
5	Data	Ethernet Shield	Data Shield (24AWG,0.2mm²)	Shell
---	---	NO Function	Blue (24AWG,0.2mm²)	---
---	---	NO Function	White/Blue (24AWG,0.2mm²)	---
---	---	NO Function	White/Brown (24AWG,0.2mm²)	---
---	---	NO Function	Brown (24AWG,0.2mm²)	---

PIN OUT(MAR-91700113)



<p>ROHS RESTRICTION OF HAZARDOUS SUBSTANCES ALL MATERIALS USED IN THIS PART MUST BE ROHS COMPLIANT. SUPPLIER SHALL PROVIDE A CERTIFICATE OF ROHS COMPLIANCE WITH THE FIRST ARTICLE.</p>		<p>DIMENSIONS SHOWN ARE FOR REFERENCE AND INSPECTION ONLY. REFER TO CAD MODEL PROVIDED WITH THIS DRAWING FOR OVERALL DEFINITION OF PART GEOMETRY.</p>		<p>FIRST ANGLE PROJECTION</p>		<p>Martin HARMAN Professional Denmark ApS Clot Palmes Alle 44 DK 8200 Aarhus N</p>	
<p>2025 © HARMAN INTERNATIONAL INDUSTRIES, INCORPORATED. ALL RIGHTS RESERVED. DO NOT USE, DISCLOSE, SELL, REPRODUCE, PUBLISH OR MODIFY WITHOUT AUTHORIZED WRITTEN HARMAN PERMISSION.</p>		<p>Material</p>		<p>Surface treatment</p>		<p>TITLE DC + Ethernet Adapter Ether+Wires to DCE DC + Ethernet Adapter DCE to Wire Tails</p>	
<p>Weight</p>		<p>Color</p>		<p>NO MAR-917001 X X</p>		<p>REV A</p>	
<p>General linear tolerance</p>		<p>General angular tolerance</p>		<p>SIZE A3</p>		<p>SCALE 1:1</p>	
				<p>UNIT mm</p>		<p>DO NOT SCALE DRAWING</p>	
						<p>SHEET OF 1 1</p>	