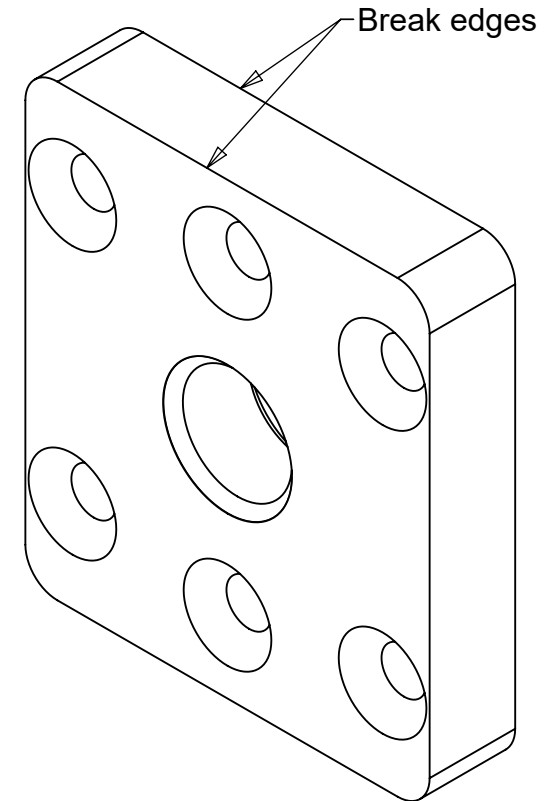
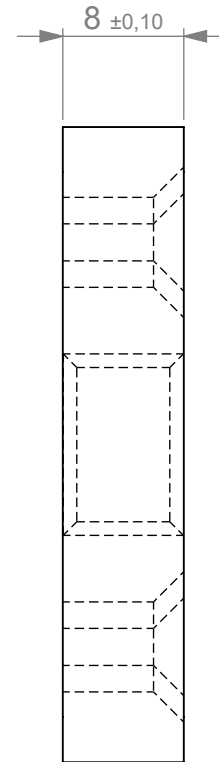
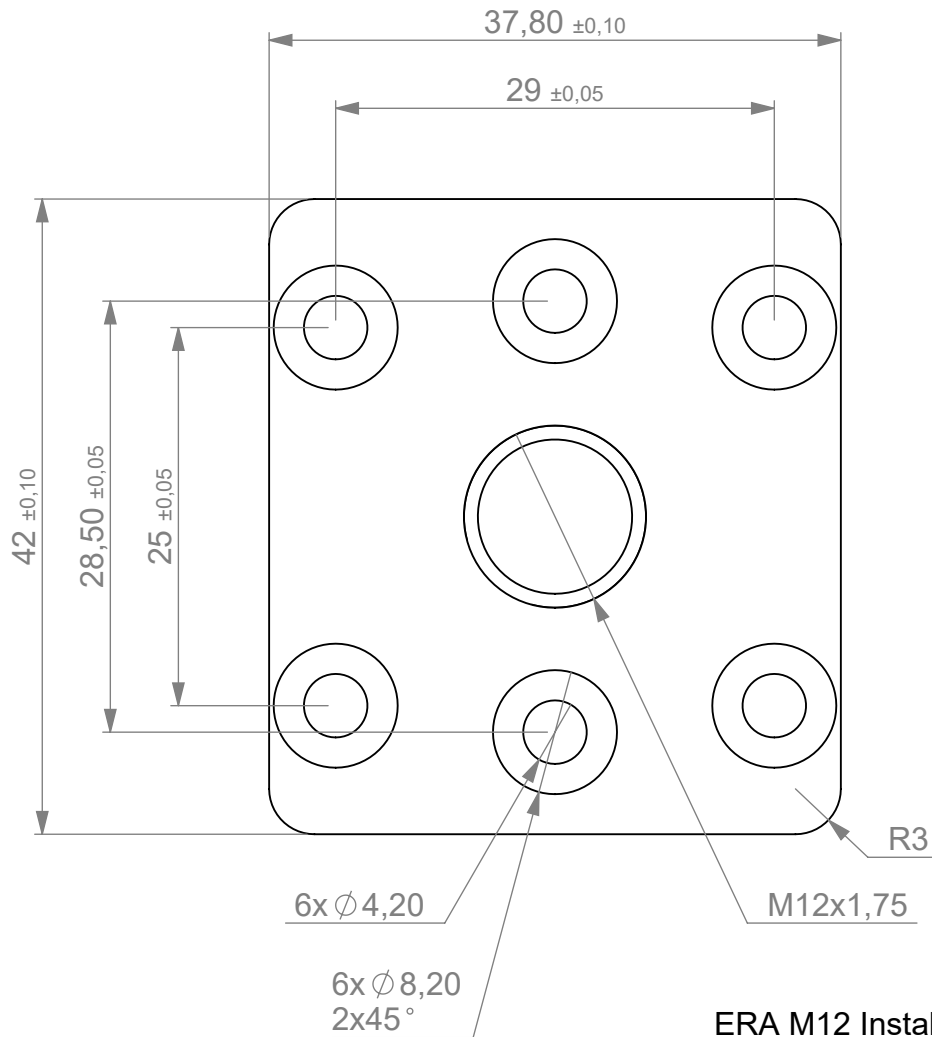




REVISION HISTORY

DATE	REV.	DESCRIPTION	BY
13/01/2025	A	First release	rd_lto



ERA M12 Installation kit:
4x Brackets
24x countersunk M4 screws with protective coating for salt mist C5 high

© 2024 HARMAN Professional Denmark ApS PROPRIETARY AND CONFIDENTIAL PROPERTY OF HARMAN. DO NOT DISCLOSE, REPRODUCE, OR PUBLISH WITHOUT WRITTEN HARMAN APPROVAL.	Material St. Steel W 1.4301 / AISI 304	FIRST ANGLE PROJECTION 	 HARMAN Professional Denmark ApS Olof Palmes Allé 44 DK 8200 Aarhus N					
	General linear tolerance			TITLE (Model in view 5151935-00) ERA M12 INSTALLATION KIT				
ROHS RESTRICTION OF HAZARDOUS SUBSTANCES ALL MATERIALS USED IN THIS PART MUST BE ROHS COMPLIANT. SUPPLIER SHALL PROVIDE A CERTIFICATE OF ROHS COMPLIANCE WITH THE FIRST ARTICLE.	General angular tolerance	Surface treatment	NO.	REV A				
	General geometrical tolerance	Color	Project number	SIZE A4	SCALE 2:1	UNIT mm	DO NOT SCALE DRAWING	SHEET OF 1 1
DIMENSIONS SHOWN ARE FOR REFERENCE AND INSPECTION ONLY. REFER TO CAD MODEL PROVIDED WITH THIS DRAWING FOR OVERALL DEFINITION OF PART GEOMETRY.								