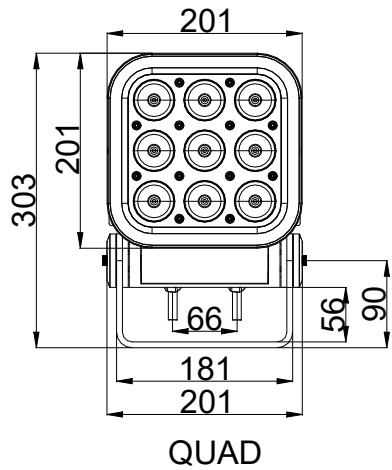
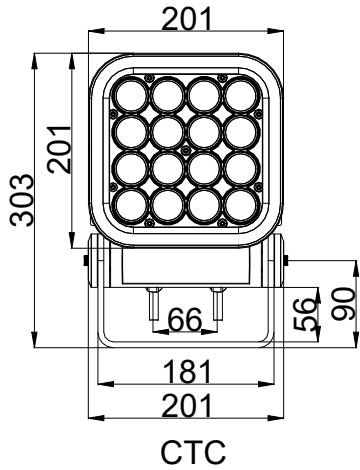


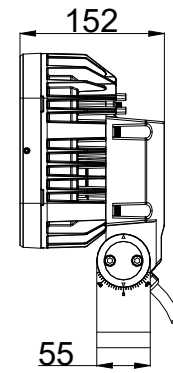
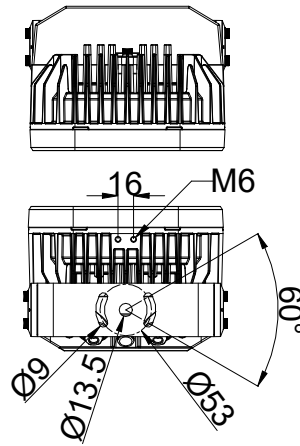
REVISION HISTORY			
DATE	REV.	DESCRIPTION	BY



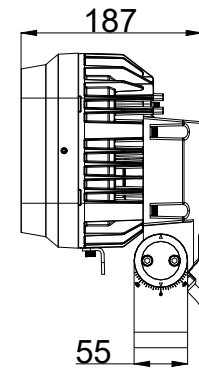
QUAD



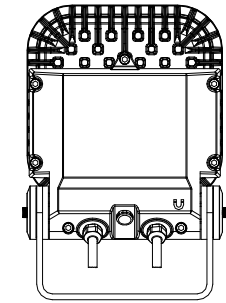
CTC



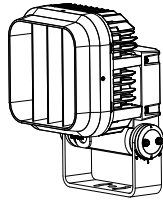
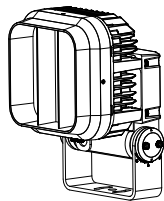
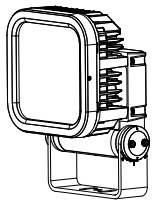
Without Baffle snout



With baffle snout and optional attachment plate for safety wire



Pre-mounted power and DMX In/Out cables: 2-meter lengths



Without Baffle snout

With QUAD Baffle snout

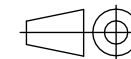
With CTC Baffle snout

MAR-90590002	EXTERIOR WASH PRO M QUAD, EU, ALU
MAR-90590006	EXTERIOR WASH PRO M QUAD, US, ALU
MAR-90590010	EXTERIOR WASH PRO M CTC, EU, ALU
MAR-90590014	EXTERIOR WASH PRO M CTC, US, ALU
MAR-90590102	EXTERIOR WASH PRO M QUAD, EU, WHITE
MAR-90590106	EXTERIOR WASH PRO M CTC EU WHITE

© 2023 HARMAN Professional Denmark ApS
 PROPRIETARY AND CONFIDENTIAL PROPERTY OF
 HARMAN. DO NOT DISCLOSE, REPRODUCE, OR
 PUBLISH WITHOUT WRITTEN HARMAN APPROVAL.

ROHS
 RESTRICTION OF HAZARDOUS SUBSTANCES
 ALL MATERIALS USED IN THIS PART MUST BE
 ROHS COMPLIANT.
 SUPPLIER SHALL PROVIDE A CERTIFICATE OF
 ROHS COMPLIANCE WITH THE FIRST ARTICLE.

Material	FIRST ANGLE PROJECTION
General linear tolerance	Surface treatment
General angular tolerance	
General geometrical tolerance	
DIMENSIONS SHOWN ARE FOR REFERENCE AND INSPECTION ONLY. REFER TO CAD MODEL PROVIDED WITH THIS DRAWING FOR OVERALL DEFINITION OF PART GEOMETRY.	Color
	Project number



Martin

HARMAN Professional
 Denmark ApS
 Oluf Palmes Allé 44
 DK 8200 Aarhus N

TITLE (Model in view)

EXTERIOR WASH PRO M

NO. See above

REV B

SIZE	SCALE	UNIT	DO NOT SCALE DRAWING	SHEET OF
A4	1:8	mm	DO NOT SCALE DRAWING	1 1