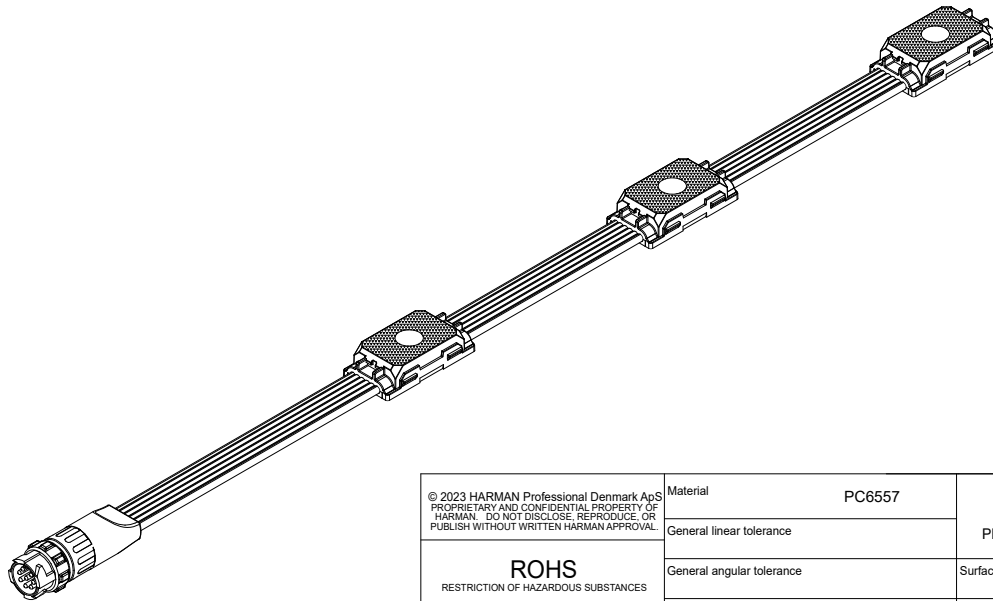
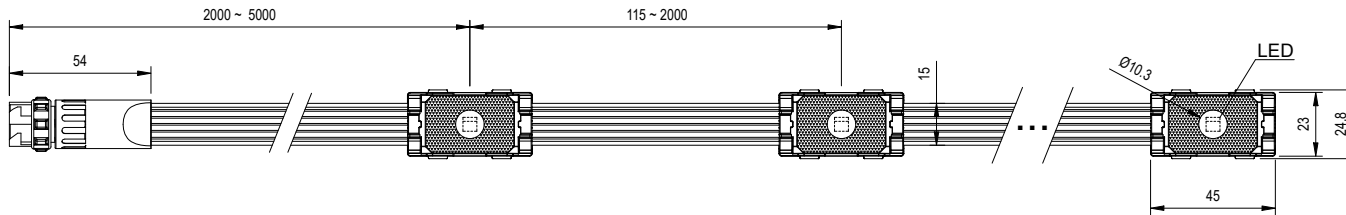


INPUT



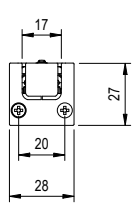
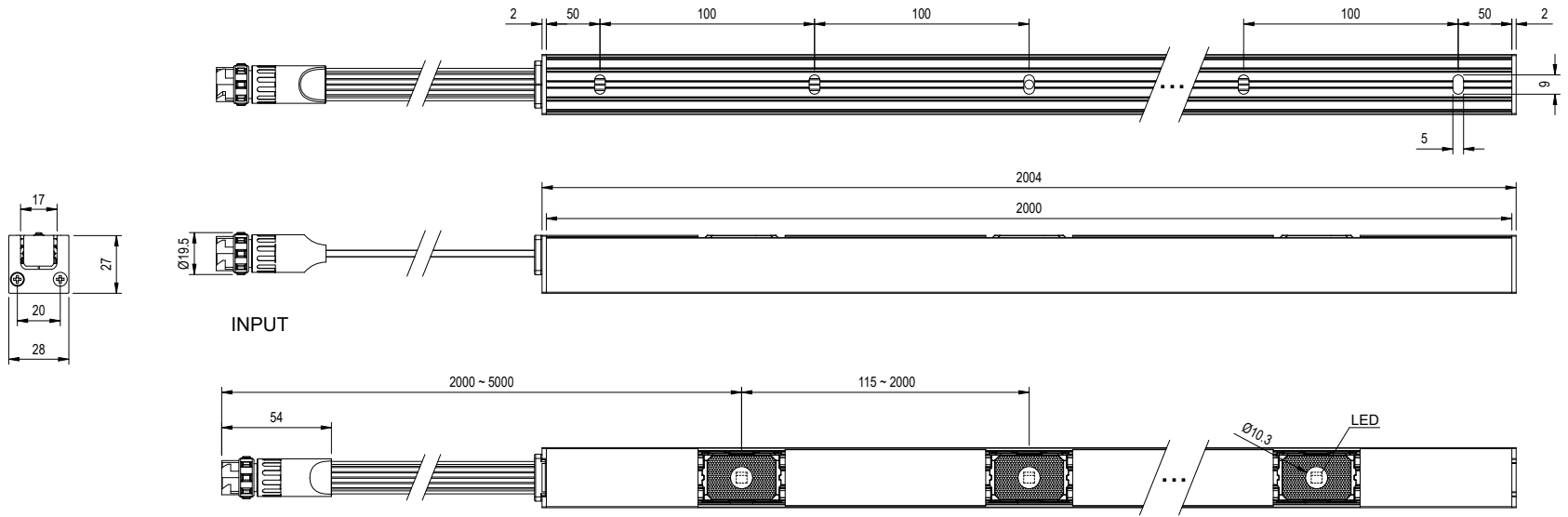
© 2023 HARMAN Professional Denmark ApS
 PROPRIETARY AND CONFIDENTIAL PROPERTY OF
 HARMAN. DO NOT DISCLOSE, REPRODUCE, OR
 PUBLISH WITHOUT WRITTEN HARMAN APPROVAL.

ROHS
 RESTRICTION OF HAZARDOUS SUBSTANCES
 ALL MATERIALS USED IN THIS PART MUST BE
 ROHS COMPLIANT.
 SUPPLIER SHALL PROVIDE A CERTIFICATE OF
 ROHS COMPLIANCE WITH THE FIRST ARTICLE.

| | |
|--|--------|
| Material | PC6557 |
| General linear tolerance | |
| General angular tolerance | |
| General geometrical tolerance | |
| DIMENSIONS SHOWN ARE FOR REFERENCE AND INSPECTION ONLY. REFER TO CAD MODEL PROVIDED WITH THIS DRAWING FOR OVERALL DEFINITION OF PART GEOMETRY. | |

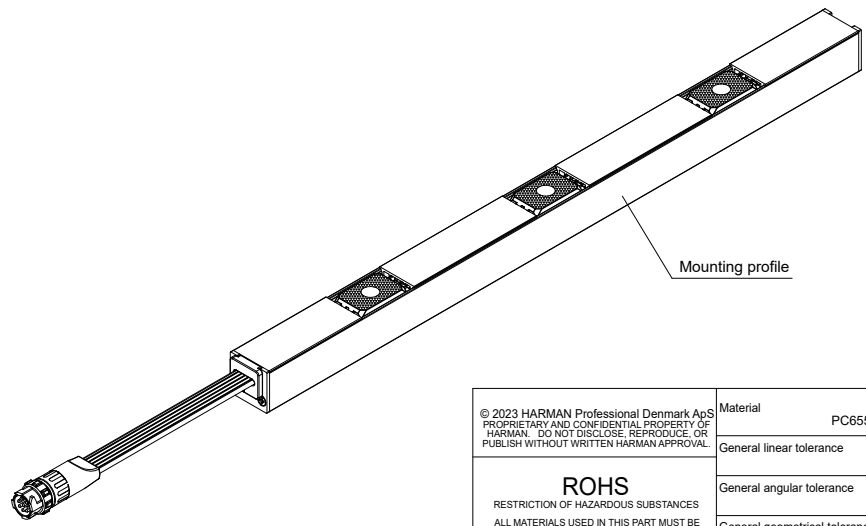
| | |
|------------------------|-------|
| FIRST ANGLE PROJECTION | |
| Surface treatment | |
| Color | Black |
| Project number | |

| | | | |
|-------------------------|-------|---|----------|
| | | HARMAN Professional Denmark ApS Olof Palmes Allé 44 DK 8200 Aarhus N | |
| TITLE (Model in view) | | | |
| Exterior Dot-1 Pro | | NO. | REV A |
| SIZE | SCALE | UNIT | SHEET OF |
| A4 | 1:8 | mm | N/A 1/5 |

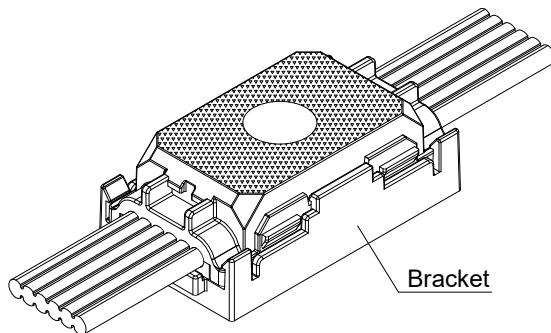
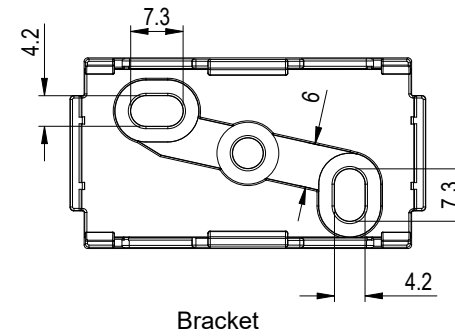
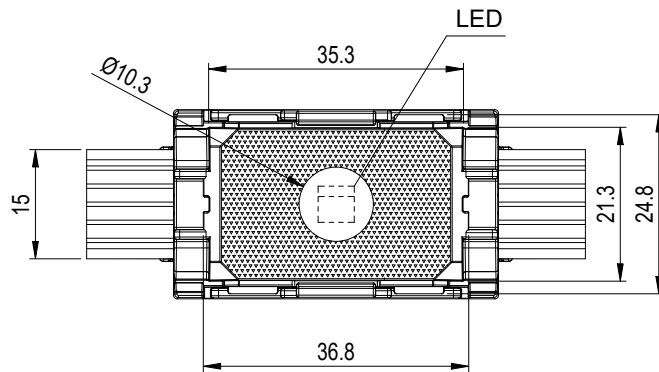
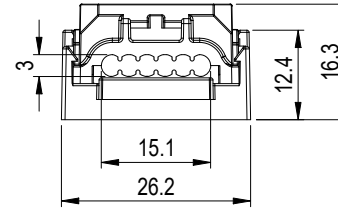
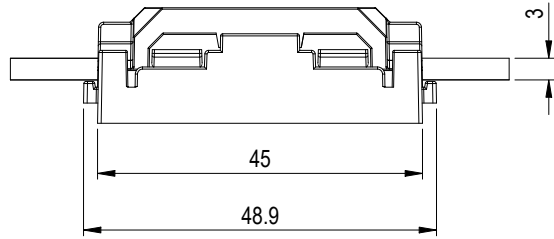


INPUT

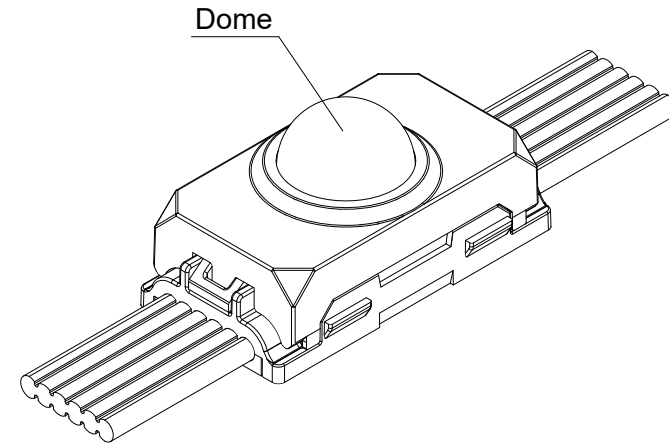
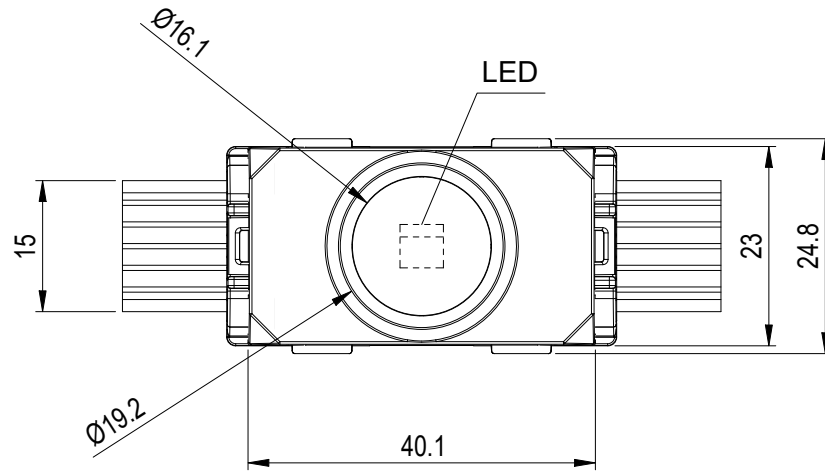
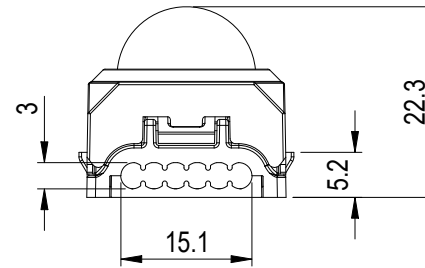
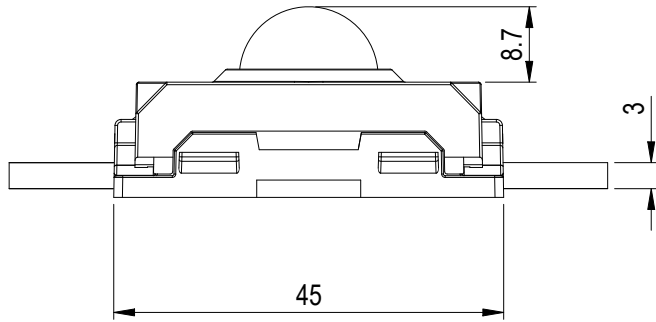
Mounting profile

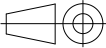



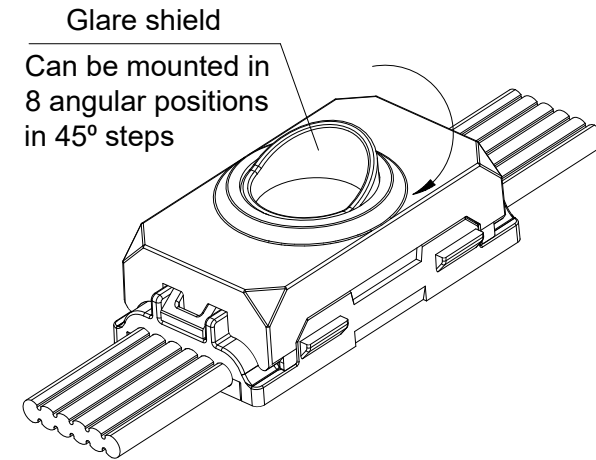
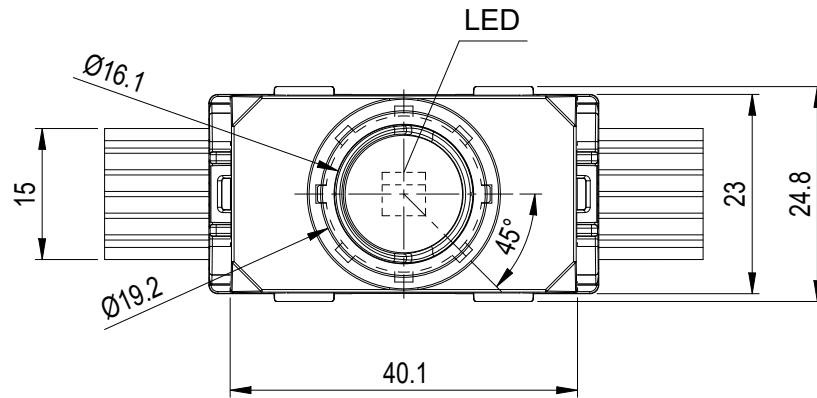
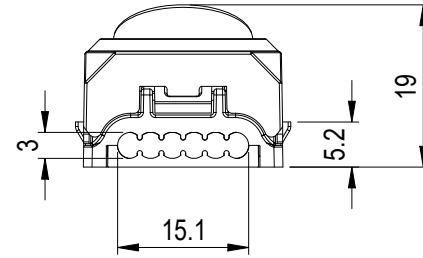
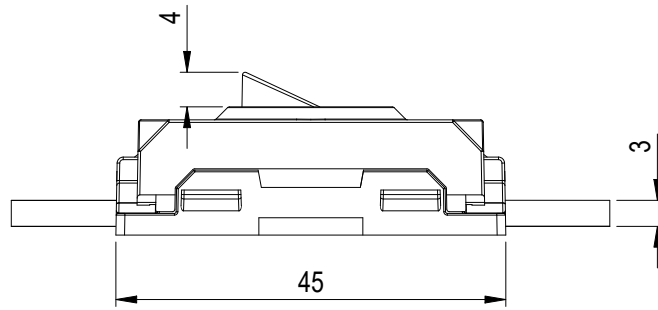
| | | | | | | |
|---|--|---|--|--|---|------------|
| <p>© 2023 HARMAN Professional Denmark ApS PROPRIETARY AND CONFIDENTIAL PROPERTY OF HARMAN. DO NOT DISCLOSE, REPRODUCE, OR PUBLISH WITHOUT WRITTEN HARMAN APPROVAL.</p> <p>ROHS RESTRICTION OF HAZARDOUS SUBSTANCES ALL MATERIALS USED IN THIS PART MUST BE ROHS COMPLIANT. SUPPLIER SHALL PROVIDE A CERTIFICATE OF ROHS COMPLIANCE WITH THE FIRST ARTICLE.</p> | <p>Material PC6557+Aluminium6063-T5</p> | <p>FIRST ANGLE PROJECTION</p> | <p>HARMAN Professional Denmark ApS Olof Palmes Allé 44 DK 8200 Aarhus N</p> | | | |
| | <p>General linear tolerance</p> | | | <p>Surface treatment Anodic Oxidation</p> | <p>TITLE (Model in view) Exterior Dot-1 Pro installed in the mounting profile</p> | |
| | <p>General angular tolerance</p> | <p>Color Gray+Silver</p> | <p>NO.</p> | <p>REV A</p> | | |
| | <p>General geometrical tolerance</p> | <p>Project number</p> | <p>SIZE A4</p> | <p>SCALE 1:8</p> | <p>UNIT mm</p> | <p>N/A</p> |
| <p>DIMENSIONS SHOWN ARE FOR REFERENCE AND INSPECTION ONLY. REFER TO CAD MODEL PROVIDED WITH THIS DRAWING FOR OVERALL DEFINITION OF PART GEOMETRY.</p> | | | | | | |

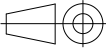



| | | | | | | | |
|---|-------------------------------|--------|---|---|--|----------|------|
| <p>© 2023 HARMAN Professional Denmark ApS PROPRIETARY AND CONFIDENTIAL PROPERTY OF HARMAN. DO NOT DISCLOSE, REPRODUCE, OR PUBLISH WITHOUT WRITTEN HARMAN APPROVAL.</p> <p>ROHS RESTRICTION OF HAZARDOUS SUBSTANCES ALL MATERIALS USED IN THIS PART MUST BE ROHS COMPLIANT.</p> <p>SUPPLIER SHALL PROVIDE A CERTIFICATE OF ROHS COMPLIANCE WITH THE FIRST ARTICLE.</p> | Material | PC6557 | <p>FIRST ANGLE PROJECTION</p> | <p>Martin</p> <p>TITLE (Model in view)</p> <p>Exterior Dot-1 Pro installed with mounting bracket</p> | <p>HARMAN Professional Denmark ApS Olof Palmes Allé 44 DK 8200 Aarhus N</p> | | |
| | General linear tolerance | | | | Surface treatment | NO. | REV |
| | General angular tolerance | | Color | Black | SIZE | SCALE | UNIT |
| | General geometrical tolerance | | Project number | | A4 | 1:8 | mm |
| <p>DIMENSIONS SHOWN ARE FOR REFERENCE AND INSPECTION ONLY. REFER TO CAD MODEL PROVIDED WITH THIS DRAWING FOR OVERALL DEFINITION OF PART GEOMETRY.</p> | | | | N/A | | SHEET OF | 3/5 |



| | | | | | | | | |
|--|-------------------------------|-------------------|--|---|---|---|-----|----------|
| © 2023 HARMAN Professional Denmark ApS PROPRIETARY AND CONFIDENTIAL PROPERTY OF HARMAN. DO NOT DISCLOSE, REPRODUCE, OR PUBLISH WITHOUT WRITTEN HARMAN APPROVAL. ROHS RESTRICTION OF HAZARDOUS SUBSTANCES ALL MATERIALS USED IN THIS PART MUST BE ROHS COMPLIANT. SUPPLIER SHALL PROVIDE A CERTIFICATE OF ROHS COMPLIANCE WITH THE FIRST ARTICLE. | Material | PC6557 | FIRST ANGLE PROJECTION  |  | HARMAN Professional Denmark ApS Olof Palmes Allé 44 DK 8200 Aarhus N | | | |
| | General linear tolerance | | | | TITLE (Model in view) | Exterior Dot-1 Pro installed with mounting bracket and dome | | |
| | General angular tolerance | Surface treatment | | NO. | REV A | | | |
| | General geometrical tolerance | Color | Gray+Milk white | SIZE | SCALE | UNIT | N/A | SHEET OF |
| DIMENSIONS SHOWN ARE FOR REFERENCE AND INSPECTION ONLY. REFER TO CAD MODEL PROVIDED WITH THIS DRAWING FOR OVERALL DEFINITION OF PART GEOMETRY. | | Project number | A4 | 1:8 | mm | | 4/5 | |



| | | | | | | | | | |
|--|-------------------------------|-------------------|--|---|---|---|------|-----|----------|
| © 2023 HARMAN Professional Denmark ApS PROPRIETARY AND CONFIDENTIAL PROPERTY OF HARMAN. DO NOT DISCLOSE, REPRODUCE, OR PUBLISH WITHOUT WRITTEN HARMAN APPROVAL. ROHS RESTRICTION OF HAZARDOUS SUBSTANCES ALL MATERIALS USED IN THIS PART MUST BE ROHS COMPLIANT. SUPPLIER SHALL PROVIDE A CERTIFICATE OF ROHS COMPLIANCE WITH THE FIRST ARTICLE. | Material | PC6557 | FIRST ANGLE PROJECTION  |  | HARMAN Professional Denmark ApS Olof Palmes Allé 44 DK 8200 Aarhus N | | | | |
| | General linear tolerance | | | | TITLE (Model in view) | Exterior Dot-1 Pro installed with mounting bracket and glare shield | | | |
| | General angular tolerance | Surface treatment | | NO. | REV A | | | | |
| | General geometrical tolerance | Color | Gray | Project number | SIZE | SCALE | UNIT | N/A | SHEET OF |
| DIMENSIONS SHOWN ARE FOR REFERENCE AND INSPECTION ONLY. REFER TO CAD MODEL PROVIDED WITH THIS DRAWING FOR OVERALL DEFINITION OF PART GEOMETRY. | | | | A4 | 1:8 | mm | | | |