

MAC Ultra Wash

User Guide and Safety/Installation Manual



Martin[®]

User Documentation update information

Any important changes in the MAC Ultra Wash User Guide are listed below.

Revision G

Covers fixture firmware 2.3.x. Added Compact DMX Mode.

Revision F

User documentation restructure (multi-language Safety/Installation Manual, single-language combined User and Safety/Installation Manuals).

Revision E

Covers update to firmware v.2.0.0. Added Extended Gamut Color Mode and new calibration options.

Revision D

Covers features in MAC Ultra Wash firmware version 1.6.0 such as Color Mode. Added drawing explaining DMX values and pan/tilt/zoom positions.

Revision C

Covers MAC Ultra Wash firmware version 1.5.0. Added info on cold start behavior. Keylight calibration available in control panel and via RDM. Added note on CMY flag speed limitations when using P3 control. Added pre-programmed FX (controllable via DMX). Some changes in control menu options.

Revision B

Covers MAC Ultra Wash firmware version 1.2.0. Added PWM frequency adjustment, details of cold start vs. steady state output level. Minor corrections including corrections to followspot functionality.

Revision A

First version released. Covers MAC Ultra Wash firmware version 1.0.0.

©2020-2026 HARMAN PROFESSIONAL DENMARK ApS. All rights reserved. Features, specifications and appearance are subject to change without notice. HARMAN PROFESSIONAL DENMARK ApS and all affiliated companies disclaim liability for any injury, damage, direct or indirect loss, consequential or economic loss or any other loss occasioned by the use of, inability to use or reliance on the information contained in this document. Martin is a registered trademark of HARMAN PROFESSIONAL DENMARK ApS registered in the United States and/or other countries.

HARMAN PROFESSIONAL DENMARK ApS, Olof Palmes Allé 44, 8200 Aarhus N, Denmark
HARMAN PROFESSIONAL SOLUTIONS U.S., 8500 Balboa Blvd., Northridge CA 91325, USA

www.martin.com

Contents

Introduction	4
Operating the fixture	4
Effects	6
Shutter and strobe effects	6
Dimming	6
Color mixing	6
Color temperature control	6
Color wheel	6
Frost	7
Iris	7
Zoom and focus / edge control	7
Hyperzoom	7
Pan and tilt	7
LED PWM frequency control	8
Pre-programmed FX	8
Control panel	9
Control options	11
DMX	11
P3 video	12
RDM	12
Fixture setup	15
Fixture ID	15
Personality	15
Managing fixture settings	18
Fixture information readouts	19
Temperatures	19
DMX signal monitoring	19
Test sequences	19
Manual control	20
Service	20
Adjusting settings via DMX	21
Resetting	21
Illuminating the display	21
Control menu setting overrides	21
Adjusting calibration offsets via DMX	21
Adjusting keylight calibration via DMX	22
DMX protocols	23
Basic Mode	23
Compact Mode	27
FX: pre-programmed effects	28
Control panel menus	31
Service and display messages	37
Warning messages	37
Error messages	38
Control orientation reference	41
Pan and tilt control	41
Zoom control	42

Introduction



Warning! Before installing, operating or servicing the MAC Ultra Wash lighting fixture, read the latest version of the fixture's Safety and Installation Manual, paying particular attention to the Safety Precautions section. The Safety and Installation Manual is supplied with the fixture and included at the end of this User Guide. The latest version is also available for download from the MAC Ultra Wash area of the Martin® website at www.martin.com.

Thank you for selecting a MAC Ultra Wash moving head lighting fixture from Martin®.

This User Guide is a supplement to the Safety and Installation Manual. This User Guide contains information that is mainly of interest for lighting designers and operators, whereas the Safety and Installation Manual contains important information for all users, especially installers and technicians.

We recommend that you check the Martin website regularly for updated documentation, because we publish revised versions each time we can improve the quality of the information we provide and each time we release new firmware with changes or new features. Each time we revise this guide we list any important changes on page 2 so that you can keep track of updates.

The MAC Ultra Wash moving-head spotlight offers the following features:

- Bright 1150 W light engine
- Fixture output of 63 500 lumens
- High-contrast, flat-field optics
- Exceptionally low noise
- Full-range dimming with four dimming curve options
- Electronic shutter effect with variable speed regular and random strobe
- CMY color mixing
- Continuously variable Color Temperature Control from 6000 to 2850 K
- 6-slot color wheel including spectral enhancement filter for added color choice and split color effects
- Iris with continuous adjustment and pulse effects
- Frost effect for smooth wash effects
- 1:7 fast-action zoom with 1:10 Hyperzoom feature
- Motorized focus that adjusts softness of beam edge with zoom/focus tracking option
- 540° of pan and 268° of tilt with user-settable pan and tilt limits
- Basic and Compact DMX Modes
- Wide range of pre-programmed dynamic FX
- Followspot functionality with integrated handles
- Standard DMX, Art-Net and sACN control, RDM monitoring and setup
- Integration with Martin P3 system controllers for video mapping of intensity, color or both
- Variable crossfading between DMX and video control
- Martin P3 system controllers feature remote setup, patching and monitoring
- Backlit graphic display
- Disposable lithium battery allowing fixture setup without mains power

Operating the fixture

Before applying power to or operating the MAC Ultra Wash:

- Read the 'Safety Information' section of the fixture's Safety and Installation Manual that is supplied with the fixture, included at the end of this User Guide and available for download from the Martin website at www.martin.com.
- Check that the installation is safe and secure.
- If the fixture is moved from a cold to a warm environment, remove it from its flightcase or packaging and give it at least two hours to acclimatize before applying power. This will help to avoid damage due to condensation.
- Check that the fixture is in perfect condition. Do not apply power to a fixture that is obviously damaged, or you may create a safety risk and make the damage worse.

- Check that the base is fastened securely so that the torque reaction when the head moves will not cause the base to move.
- Check that the head tilt lock is released.
- Be prepared for the head to move suddenly. Check that there will be no risk of collision with persons or objects.
- Be prepared for the fixture to light up suddenly. Check that no-one is looking at the fixture from close range.

The fixture does not have an On/Off switch. To apply power to the fixture, connect the power input cable to a source of AC power that is within the range 200-240 V (nominal), 50/60 Hz. The fixture's Neutrik powerCON TRUE1 TOP connectors can also be connected live or under load.

Note that whenever power is applied to the fixture, it will reset all effects and functions to their home positions and the fixture head will move. This process takes several seconds.

Note also that when the fixture starts up from cold, luminous output is approximately 15% higher than the fixture's specified output. Output will decrease to the specified level when the fixture reaches its steady state temperature after approximately 5 minutes (in Fan Regulated mode).

Cold startup behavior

The fixture behaves as follows when starting up from cold:

- Luminous output at cold startup can be up to approximately 15% higher than the steady state output. Output reaches the specified level when the fixture reaches its steady state temperature after approximately 5 minutes (in Fan Regulated mode).
- Power to effects motors is increased until the internal temperature reaches 20°. For a short period this will result in slightly more noise from CMY and other mechanical effects.
- The FAST mode in EFFECTS SPEED is only available when the fixture has warmed up. EFFECTS SPEED is set to NORMAL during warmup.

Effects

This section gives details of the effects available in the MAC Ultra Wash. See the DMX protocol table on page 23 for a list of channels and commands used to control the effects via DMX.

Where fine control is available, the main control channel sets the first 8 bits (the most significant byte or MSB), and the fine channels set the second 8 bits (the least significant byte or LSB) of the 16-bit control byte. In other words, the fine channel works within the position set by the coarse channel.

Shutter and strobe effects

The fixture's electronic shutter effect provides instant blackout and snap open as well as regular or random strobe and pulse effects with variable speed from approx. 1 Hz to 20 Hz.

Dimming

Smooth 0-100% overall dimming is available with 16-bit control resolution. Four dimming curves are available (see Figure 3 on page 16).

Color mixing

The fixture features dichroic CMY color filters, with 16-bit continuous color mixing available on six DMX channels.

Color temperature control

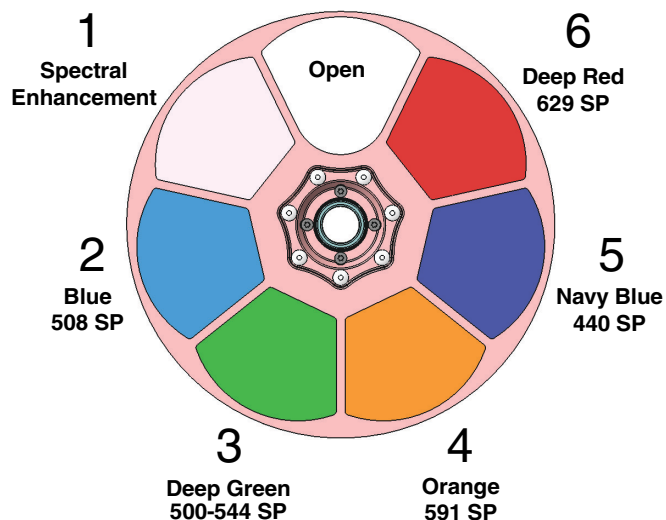
16-bit color temperature control is available on two dedicated CTO channels. You can adjust the fixture's color temperature smoothly and continuously from 6000 K to 2850 K.

Color wheel

The fixture provides a color wheel that lets you select from six dichroic color filters plus open (see Figure 1).

The color wheel can be scrolled continuously with variable speed and direction.

All color filters are interchangeable.



Wheel seen from LED side

Figure 1: Color wheel

Frost

The fixture has a frost effect that can be inserted into the beam to increase the smoothness of the washlight projection.

The frost effect slightly reduces the zoom range available. With the frost effect applied it is possible to achieve a beam (half-peak) angle of approximately 8° - 38°.

Iris

The iris can be varied continuously to smoothly reduce the diameter of the beam.

Opening and closing pulse effects with variable speed are also available.

Zoom and focus / edge control

Adjusting focus lets you vary the softness of the edge of the projected beam and wash field. Note that there will always be some degree of softness at the edge of the beam.

The MAC Ultra Wash's zoom lens varies the beam angle from 7° to 47° (half peak). Wide zoom angles allow a more clearly defined beam edge on projection surfaces close to the fixture. At narrower zoom angles, a more clearly defined edge is only possible further from the fixture.

Applying the frost effect limits the zoom angle slightly (see "Frost" section above).

Zoom/focus linking

Focus varies with zoom angle, but focus can be linked to zoom so that it automatically adjusts to match changes in zoom angle.

Linked zoom/focus works within 3 distance ranges: close, medium and long-range. The ranges are as follows (figures are approximate):

- Close (5 - 10 meters / 16.5 - 33 ft.)
- Medium (10 - 20 meters / 33 - 66 ft.)
- Long (20 meters - infinity / 66 ft. - ∞)

To link zoom and focus, select a distance range using the Control/Settings DMX channel or **FOCUS TRACKING** in the control panel **PERSONALITY** menu. Then adjust focus to obtain the required degree of softness in the wash field and at the beam edge. Linking is now enabled and focus will auto-adjust to match changes in zoom angle.

Hyperzoom

The MAC Ultra Wash features a Hyperzoom function that deploys the iris to extend the zoom range and achieve narrower beam angles. When Hyperzoom is enabled using the Control/Settings DMX channel, the fixture gradually closes the iris to tighten the beam as you zoom towards Narrow on the Zoom DMX channel.

When Hyperzoom is enabled and zoom is set to narrow, the usable range of the iris that is available on the Iris DMX channel is reduced.

Pan and tilt

The MAC Ultra Wash offers 540° of pan and 268° of tilt.

See the pan/tilt orientation reference drawings at the end of this user manual for a guide to the direction of pan and tilt movement.

16-bit pan and tilt control are available. In each case, the second (LSB) DMX channel adjusts the position set on the first (MSB) channel.

It is possible to set limits for the pan and tilt range (see details on page 15).

LED PWM frequency control

The PWM frequency of the MAC Ultra's LEDs has been chosen carefully to avoid flickering on camera. In some rare situations – for example when using cameras with non-standard settings – it may be necessary to adjust the LED PWM frequency manually.

From firmware version 1.2.0, you can adjust the PWM frequency via DMX by sending value 255 on either the FX1 Selection or the FX2 Selection channel. Once activated, the corresponding FX Speed and Direction channel will control the LED PWM frequency. Note that this change is not stored permanently in the fixture, so you have to keep the FX Selection and FX Speed/Direction channels at the chosen values in order to keep the LED PWM frequency at the corresponding custom value.

You can adjust PWM frequency as follows:

DMX value sent on FX Speed and Direction channel	LED PWM frequency
0 - 127	Adjustment in steps from 2400 to 3000 Hz
128	Default PWM frequency (3000 Hz)
129 - 254	No function
255	High-speed PWM Frequency Mode (24 000 Hz)

Table 1. PWM frequency adjustment values

High-speed PWM Frequency Mode drives the LEDs at 24 000 Hz. This frequency greatly reduces electronic switching noise but it gives slightly faster cut-off at the low end of the dimming range.

The default PWM frequency is 3000 Hz.

Pre-programmed FX

From firmware version 1.5.0 the MAC Ultra Wash offers a range of pre-programmed effect macros that we simply call FX. See a full description under “Compact Mode” on page 27.

FX give instant access to complex dynamic effects with no need for time-consuming programming at the controller.

Control panel

You can configure individual fixture settings (such as the fixture's DMX address), read out data, execute service operations and view error messages using the fixture's backlit graphic display and control panel.

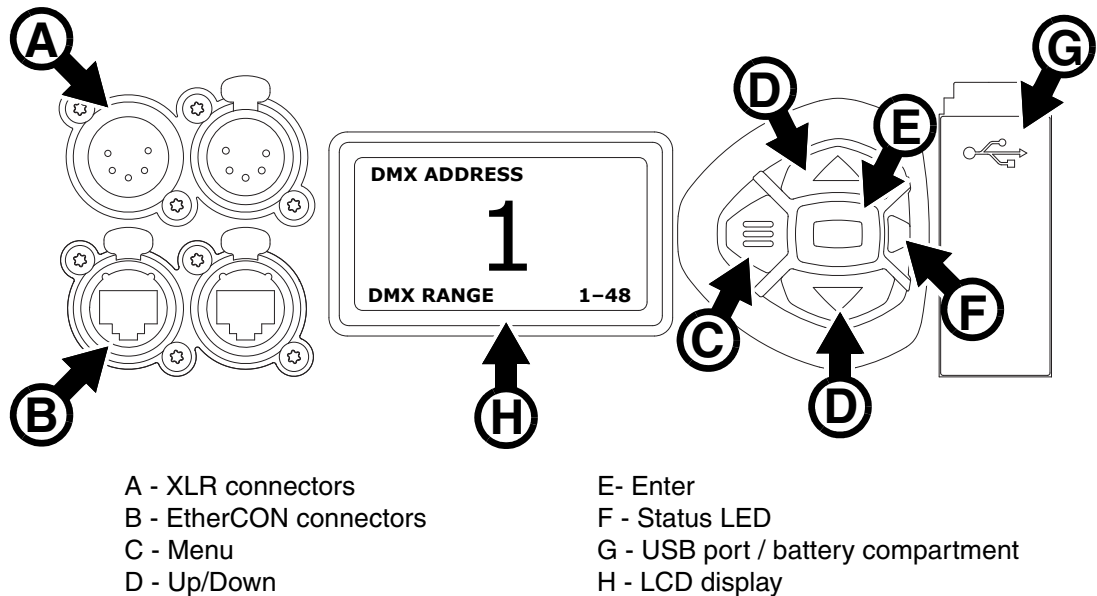


Figure 2: Display and control panel

When the MAC Ultra Wash is powered on, it first boots and resets, then it displays its DMX address (or its fixture ID number, if one has been set) and any status messages (see page 37) in the display **H**.

The display can be set to automatically rotate to match standing or hanging fixture orientation in the **PERSONALITY** → **DISPLAY** menu or the Shortcuts menu (see "Shortcuts" on page 10).

Using the control panel

- Press the MENU button **C** or Enter button **E** to access the menus.
- Use the UP and DOWN buttons **D** to scroll up and down menus.
- Press the ENTER button **E** to enter a menu or make a selection.
- The currently selected item in a menu is indicated by a star ✱.
- Press the MENU button **C** to step backwards through the menus.

Status LED

The LED **F** next to the control buttons indicates fixture status by showing a color and DMX status by flashing or lighting constantly:

- **GREEN**: All parameters normal.
- **AMBER**: Warning (service interval exceeded, for example).
If **ERROR MODE** is set to **Normal**, the warning message will be shown in the display. If **ERROR MODE** is set to **Silent**, the display must be activated by pressing the Enter button **E** to display the warning message.
- **RED**: Error detected.
 - If **ERROR MODE** is set to **NORMAL**, the error message will be shown in the display.
 - If **ERROR MODE** is set to **SILENT**, display the error message by entering the menus and going to **SERVICE** → **ERROR LIST**.

- **FLASHING:** No DMX signal detected.
- **CONSTANT:** Valid DMX signal detected.

The status LED remains active even if the display enters sleep mode.

Battery power

Warning! The fixture's lithium battery is not rechargeable. Do not try to recharge it. If the battery is discharged, obtain a replacement from your Martin supplier.

The MAC Ultra Wash contains a CR123A 3-volt lithium battery in a compartment **G** next to the control panel. The battery gives access to the most important functions in the control panel when the fixture is not connected to AC power. The following functions are available on battery power:

- DMX address
- Fixture ID
- Personality settings (pan/tilt, cooling, fan clean mode, dimming curve, DMX reset, parameter shortcuts, all display settings, error mode)
- Default settings
- Information (Power On Hours and Power Cycles counters, Software version)
- Error list

To activate the display when the fixture is not connected to power, press the MENU button **C**. Press again to enter the menus. The display extinguishes after 10 seconds with no user input and the control panel is de-activated after 1 minute with no user input. Press the MENU button **C** again to re-activate.

Shortcuts

If you hold the MENU button **C** pressed in for 2 - 3 seconds, a shortcut menu with the most important commands appears. Select a command with the UP and DOWN buttons **D** and press the ENTER button **E** to activate, or press the MENU button **C** again to cancel.

- **RESET ALL** resets the whole fixture
- **ROTATE DISPLAY** rotates the MAC Ultra Wash display 180°
- **FOLLOWSPOT TOGGLE** puts the fixture into / takes the fixture out of Followspot Mode (see 'FOLLOWPOT MODE' on page 16)
- **TOGGLE HOLD POSITION** uses the pan and tilt motors to hold the head in its current position – a feature that is designed to be used in Followspot Mode when the operator wants to hold the head in a static position for a period.

Settings stored permanently

The following settings are stored permanently in the fixture memory and are not affected by powering the MAC Ultra Wash off and on or by updating the fixture software:

- DMX address
- Fixture ID
- Personality settings (pan/tilt, cooling, dimming curve, DMX reset, effect shortcuts, display settings, error mode, etc.)
- Resettable and non-resettable counters
- Service settings (adjustment, calibration)

These settings can be returned to factory defaults using the control menus or via DMX.

Activating service mode

Holding the MENU and ENTER buttons **C** and **E** both pressed in while powering the fixture on puts the fixture into service mode, in which pan and tilt are disabled and a **SERV** warning appears in the display. Service mode removes the risk of unexpected head movement during service adjustments.

To take the fixture out of SERVICE mode, power the fixture off, then reapply power and allow the fixture to start normally.

Control options

You can control the MAC Ultra Wash using DMX and/or Martin P3 protocol. The fixture auto-senses the type of data that it is receiving and will respond correctly with no need for manual protocol selection.

The following options are available:

- DMX control over standard DMX cable connected to the fixture's 5-pin XLR connectors.
- DMX control using Art-Net over Ethernet cable connected to the fixture's etherCON connectors.
- DMX control using streaming ACN over Ethernet cable connected to the fixture's etherCON connectors.
- DMX control over DMX cable and P3 video data over Ethernet cable.
- P3 video data with embedded DMX commands over Ethernet cable. If you connect DMX / Art-Net / sACN to the P3 system controller, the controller can merge the DMX commands into the P3 signal and send them to the fixture over Ethernet.

The P3 Mix DMX channel lets you choose how the fixture should behave if it receives both DMX data and P3 video data. You can use the P3 video pixel data to control the intensity and/or the color of the fixture's output with real-time control.

Fail-safe connection

The MAC Ultra Wash has a fail-safe network connection. If the fixture loses power or if you shut it down, it will continue to relay an Ethernet signal, and the Art-Net / sACN / P3 signal to the other networked fixtures in the daisy chain will not be interrupted.

Data rate

Any Ethernet switch used to relay Art-Net, streaming ACN or P3 data to the MAC Ultra Wash must be capable of running at 10/100 Mbps speed, as the fixture does not support Gigabit Ethernet data rates.

DMX

The MAC Ultra Wash accepts a DMX-512A data signal.

DMX setup

The DMX address, also known as the start channel, is the first channel used to receive instructions from the controller. For independent control, each fixture must be assigned its own control channels. If you give two fixtures of the same type the same address, they will behave identically. Address sharing can be useful for diagnostic purposes and symmetrical control, particularly when combined with the inverse pan and tilt options.

DMX addressing is limited to make it impossible to set the DMX address so high that you are left without enough control channels for the fixture.

To set the fixture's DMX address:

1. Press Menu to open the main menu. Scroll to **DMX SETUP**.
2. Press Enter to enter the **DMX ADDRESS** menu, then scroll to the desired address and press Enter to save.
3. Press Menu to exit.

DMX modes

The **CONTROL MODE** menu lets you set the MAC Ultra Wash to one of the two DMX operating modes, Basic or Compact:

- Basic mode offers 8-bit control of strobe, color wheel, frost, iris and FX plus 16-bit control of dimmer, CMY color mixing, color temperature control, zoom, focus, pan and tilt.
- Compact mode includes all the functionality of Basic mode but with P3 Mix and FX control options removed to give a smaller DMX channel footprint of 23 channels.

To set the fixture's DMX mode:

1. Press Enter to enter the main menu.
2. Scroll to **CONTROL MODE**, then press Enter. Scroll to select either **BASIC** or **COMPACT**, then press Enter to save.
3. Press Menu to exit.

P3 video

The MAC Ultra Wash accepts video data using Martin's proprietary P3 video protocol that has been a well-established standard in the industry for over 10 years. It lets you send a video signal from a media server or other video source to P3-compliant creative LED fixtures and moving heads over Ethernet cable using Martin's reliable P3 data protocol.

The intuitive graphic user interface in Martin P3 controllers lets you visualize and set up a custom installation that can contain a huge number of fixtures in any kind of physical arrangement within a few minutes. Device identification is automatic. You can arrange devices on the monitor using drag-and-drop. Latency from video input to output on fixtures is extremely low, while there is no latency between fixtures as they are fully synchronized via the P3 protocol. If you use P3 you do not need to worry about IP addresses, as P3 does not use IP addresses or IP communication.

The P3 protocol will supply both DMX data and video pixel data to fixtures over a network cable. On the MAC Ultra Wash you can use the video pixel data to control the intensity and/or the color of the fixture's output with real-time control using the P3 Mix DMX channel.

RDM

The MAC Ultra Wash can communicate over standard DMX cable and over Art-Net and sACN Ethernet links using RDM (Remote Device Management) in accordance with ESTA's *American National Standard E1.20-2006*.

RDM is a bi-directional communications protocol for use in DMX512 control systems, it is the open standard for DMX512 device configuration and status monitoring.

The RDM protocol allows data packets to be inserted into a DMX512 data stream without affecting existing non-RDM equipment. It allows a console or dedicated RDM controller to send commands to and receive messages from specific fixtures.

Note that a firmware update can sometimes expand a fixture's RDM functionality. If this happens, the firmware release notes will give details.

RDM ID

Each fixture has a factory-set RDM UID (unique identification number) that makes it addressable and identifiable in RDM systems. The number can be found in the control panel **INFORMATION** menu under **RDM UID**.

Supported RDM PIDs

The fixture supports the standard RDM PIDs (Parameter IDs) required by ESTA plus manufacturer-specific PIDs that give a range of configuration options.

See the following tables.

Standard RDM Parameter IDs

GET allowed	SET allowed	RDM parameter IDs	Notes
Network Management			
		DISC_UNIQUE_BRANCH	
		DISC_MUTE	
		DISC_UN_MUTE	
Status Collection			
✓		QUEUED_MESSAGE	
✓		STATUS_MESSAGES	
✓		STATUS_ID_DESCRIPTION	
	✓	CLEAR_STATUS_ID	
RDM Information			
✓		SUPPORTED_PARAMETERS	
✓		PARAMETER_DESCRIPTION	
Product information			
✓		DEVICE_INFO	
✓		DEVICE_MODEL_DESCRIPTION	
✓		MANUFACTURER_LABEL	
✓	✓	DEVICE_LABEL	
✓	✓	FACTORY_DEFAULTS	
✓		SOFTWARE_VERSION_LABEL	
DMX Setup			
✓	✓	DMX_PERSONALITY	
✓		DMX_PERSONALITY_DESCRIPTION	
✓	✓	DMX_START_ADDRESS	
✓		SLOT DESCRIPTION	
Sensors			
✓		SENSOR_DEFINITION	
✓		SENSOR_VALUE	
Usage information			
✓		DEVICE_HOURS	
✓		LAMP_HOURS	
✓		DEVICE_POWER_CYCLES	
Display settings			
✓	✓	DISPLAY_INVERT	
✓	✓	DISPLAY_LEVEL	
Configuration			
✓	✓	PAN_INVERT	
✓	✓	TILT_INVERT	
Network configuration			
✓		LIST_INTERFACES	
✓		INTERFACE_LABEL	
✓		INTERFACE_HARDWARE_ADDRESS_TYPE1	
✓		IPV4_DHCP_MODE	
✓		IPV4_CURRENT_ADDRESS	
✓	✓	IPV4_STATIC_ADDRESS	
	✓	INTERFACE_APPLY_CONFIGURATION	

Control			
✓	✓	IDENTIFY_DEVICE	
	✓	RESET_DEVICE	
✓	✓	PERFORM_SELFTEST	
✓		SELF_TEST_DESCRIPTION	

Manufacturer-specific RDM Parameter IDs

GET allowed	SET allowed	RDM parameter IDs (slot 21-22)	Notes
		DMX protocol	
✓	✓	DMX_RESET_ENABLE	
		Fixture behavior	
✓	✓	EFFECT_SPEED	
✓	✓	EFFECT_SHORTCUT_ENABLE	
✓	✓	DISPLAY_ERRORS_ENABLE	
✓	✓	DIMMER_CURVE	
✓	✓	COLOR_MODE	Calibrated / Raw / Extended
✓	✓	VIDEO_TRACKING	
✓	✓	FOCUS_TRACKING	
✓	✓	DISPLAY_AUTO_OFF	
✓	✓	HIBERNATION_MODE	
✓	✓	TUNGSTEN_MODE	
✓	✓	KEYLIGHT_CALIBRATION	Automatic - Manual - Off
		Pan/tilt	
✓	✓	PAN_TILT_SPEED	Fast - Smooth - Standard
✓	✓	PAN_TILT_LIMITATION_ENABLE	
✓	✓	PAN_LIMITATION_MINIMUM	
✓	✓	PAN_LIMITATION_MAXIMUM	
✓	✓	TILT_LIMITATION_MINIMUM	
✓	✓	TILT_LIMITATION_MAXIMUM	
	✓	PAN_TILT_LIMITATION_RESET	
		Fixture cooling	
✓	✓	FAN_MODE	
✓	✓	FAN_CLEAN	
		Fixture information	
✓	✓	FIXTURE_ID	
✓		SERIAL_NUMBER	

Fixture setup

The onboard control panel lets you configure the fixture using a range of fixture settings. Note that many of these settings are also available on the Control / settings DMX channel (see “Adjusting settings via DMX” on page 21).

Fixture ID

The fixture lets you set a four-digit ID number to ease identification of the fixtures in an installation. When a fixture is powered on for the first time, it displays its DMX address by default. As soon as you set an ID number other than **0** in **FIXTURE ID**, the fixture will display this ID number by default, and indicate **FIXTURE ID** in the display.

Personality

The **PERSONALITY** menu provides several options that let you customize the fixture for different applications:

- The **PAN/TILT** menu offers the following options:

- **PAN INVERSE** and **TILT INVERSE** let you invert the direction of pan and tilt movement. This can be a fast way of setting symmetrical action in multiple fixtures with no need to reprogram cues.
- **FOLLOWSPOT MODE** disables the pan and tilt motors so that you can move the head manually using the integrated handles on the back of the head.

Warning! *The head becomes hot during use. Make sure that it is impossible for operators to burn themselves.*

Note that:

- * If you enable followspot mode in the **PERSONALITY** menu (or by sending a command from the DMX controller on the Control/Settings channel), the fixture starts in **HOLD POSITION** mode (see below) to prevent the head from sinking under gravity. The followspot operator must release the head with a **TOGGLE HOLD POSITION** command (see below) before the head can be moved freely.

Be prepared for the head to move slightly when you enable followspot mode and the head begins to hold its position.

- * When you disable followspot mode, the fixture resets pan and tilt – be prepared for the head to move without warning. After the pan and tilt reset the head returns to its original position.
- * In followspot mode, the pan and tilt motors are completely disabled to give the smoothest head movement with maximum freedom, but you must support the head constantly while in followspot mode (unless you apply **TOGGLE HOLD POSITION** in the shortcuts menu as described below). If you let go of the handles, the head will sink under gravity to a tilt down position.

- Using the shortcuts menu that opens if you hold the MENU button pressed in for 2 - 3 seconds (see “Shortcuts” on page 10), a followspot operator can quickly put the fixture into followspot mode and also use the **TOGGLE HOLD POSITION** feature. Applying **TOGGLE HOLD POSITION** while the fixture is in followspot mode uses the pan and tilt motors to hold the head in its current position. This menu item lets the followspot operator quickly toggle between free head movement and static head position.
- **LIMIT PAN/TILT** lets you define minimum and maximum limits for pan and tilt angles so that you can install fixtures close to obstacles (such as other fixtures or trusses) with no risk of collision, so that the beam will only hit a certain area of a stage or set, or so that you can avoid the fixture shining into the eyes of the audience.

PAN MIN and **TILT MIN** set minimum limits for pan and tilt, and **PAN MAX** and **TILT MAX** likewise set maximum limits. The fixture’s pan and tilt movement will remain in a ‘safe zone’ within the limits that you set.

- To set the limits using the control panel menus, go into the **LIMIT PAN/TILT** menu and enter the minimum and maximum limits for pan and tilt as the 16-bit values that you would use to move pan and tilt to those positions via DMX. The range of values available is -32767 to 32768.
- To set the limits via DMX, move the head using the pan and tilt DMX channels to the position where you want to set minimum pan and tilt limits, then enable *Pan minimum* and *Tilt minimum* limits on the

Control/Settings DMX channel, sending values for at least 1 second to activate them. Use the same method to set the maximum pan and tilt limits.

Note that when you power the fixture off, the head may move under its own weight to a position that is outside its pan and tilt limits.

RESET PAN/TILT LIMITS sets the fixture to default pan and tilt limits that are suitable for mounting the fixture in a GT Pre-Rig truss using standard Martin half-coupler rigging clamps. If you install the fixture in this type of pre-rig truss, you only need to execute a **RESET PAN/TILT LIMITS** command and set **LIMIT ENABLE** to **ON** to avoid the risk of head collisions.

- The **SPEED** menu gives you two movement speed options:
 - **PAN/TILT SPEED** lets you set pan and tilt movement to **STANDARD** (suitable for general use) **FAST** (optimized for speed) or **SMOOTH** (optimized for smooth movement – useful for slow movements in long-throw applications). If you are using the MAC Ultra Wash with a followspot system we recommend that you set PAN/TILT SPEED to FAST. This will give the best response, acceleration and overall speed.
 - **EFFECT SPEED** lets you set all the fixture's effects to **STANDARD** (suitable for general use), **FOLLOW P/T** (effects speed follows the speed set for pan/tilt), **FAST** (optimized for speed) or **SLOW** (optimized for smooth movement – useful for slow, gradual effects changes).
- **DIMMER CURVE** provides four dimming options (see Figure 3):
 - **LINEAR** – (optically linear) the increase in light intensity appears to be linear as DMX value is increased.
 - **SQUARE LAW** – light intensity control is finer at low levels and coarser at high levels.
 - **INV SQUARE LAW** – light intensity control is coarser at low levels and finer at high levels.
 - **S-CURVE** – light intensity control is finer at low levels and high levels and coarser at medium levels. This curve emulates the RMS voltage dimming characteristics of an incandescent lamp.

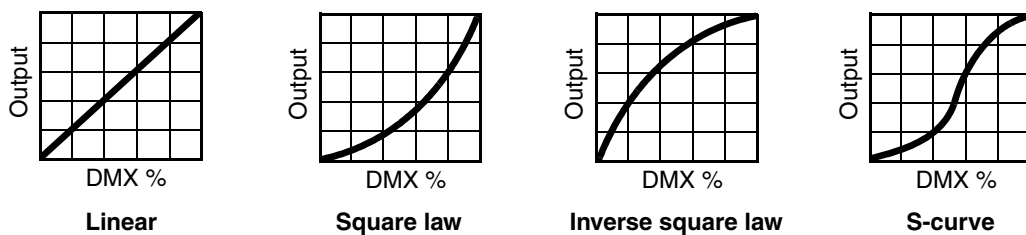


Figure 3: Dimming curve options

- **TUNGSTEN EMULATOR** gives the warm appearance and warm shift dimming characteristics of a tungsten lamp fixture.
- **COLOR MODE** provides different modes of CMY flag operation:
 - Raw Mode, the default setting, gives direct control of the CMY flags as in all previous software versions.
 - Calibrated Mode provides calibration of the CMY flags. Calibrated Mode may be useful if you notice slight differences in color performance across multiple fixtures. Note that the colors obtained through CMY color mixing in Calibrated Mode may differ significantly from the colors obtained in Raw Mode. Multiple fixtures in the same installation should normally ALL be set to either Raw, Calibrated or Extended Gamut Mode in order to ensure the most consistent color behavior.
 - Extended Gamut Mode (available from fixture software version 2.0.0.) gives improved color consistency across multiple fixtures but is also optimized for color saturation. Calibrated Mode (see above) provides calibrated colors throughout the entire spectrum at the expense of slightly less saturated deep colors, but Extended Gamut Mode provides a combination of calibrated mixed colors and saturated deep colors.

NB: See note under "Service" on page 20 regarding the need for original (or matching) internal modules inside the fixture when using Calibrated Mode.

- **FOCUS TRACKING** sets focus to automatically adjust to match the fixture's zoom angle. You can enable or disable focus tracking, and you can optimize this feature to give the best performance at far, medium or near projection distances.
- **VIDEO TRACKING** optimizes performance if the MAC Ultra Wash is used with a video source. In normal use, the fixture processes the signal it receives, tracking (or smoothing out) changes in values in order to ensure smooth fading between colors and/or intensities. This signal processing takes fractions

of a second and is normally invisible, but if the fixture is used to display video the processing can interfere with video response times. If you enable video tracking, the fixture does not 'smooth out' input but instead snaps instantly when a value changes.

If you enable video tracking, some lack of smoothness may be visible when dimming slowly via DMX at low intensity levels.

When running in P3 Mixed Mode, where the video signal controls both the intensity and color of the output, you may notice that on very fast video content the CMY flags are unable to follow the fast changes while intensity is able to follow them. This may lead to white flashes with specific types of content. If you want to use very fast video content, we recommend that you use P3 Video Mode and control color via DMX instead of via P3.

For best results, we recommend that you enable video tracking when using video as a source and disable it (the default setting) during DMX control.

- **DMX RESET** lets you reduce the risk of accidentally sending a reset command via DMX that might cause an unwanted blackout and/or unwanted light output in the middle of a show, for example, that will take several seconds to recover from.
- **EFFECT SHORTCUTS** determines whether the color wheel takes the shortest path between two positions (shortcuts enabled), crossing the open position if necessary, or always avoid the open position (shortcuts disabled).
- **COOLING MODE** lets you select between five cooling fan options:
 - **CONSTANT FAN FULL** optimizes cooling fan operation for the lowest possible temperature by setting cooling fans to run constantly at full speed. Light output intensity is reduced if necessary to prevent the fixture from exceeding its maximum operating temperature during full speed fan operation.
 - **CONSTANT FAN MEDIUM** sets cooling fans to run constantly at medium speed. Light output intensity is reduced if necessary to prevent the fixture from exceeding its maximum operating temperature during medium speed fan operation.
 - **CONSTANT FAN LOW** sets cooling fans to run constantly at low speed. Light output intensity is reduced if necessary to prevent the fixture from exceeding its maximum operating temperature during low speed fan operation.
 - **CONSTANT FAN ULOW (ULTRALOW)** optimizes cooling fan operation for the lowest possible noise by setting cooling fans to run constantly at ultra-low speed. Light output intensity is reduced if necessary to prevent the fixture from exceeding its maximum operating temperature during ultra-low speed fan operation.
 - **REGULATED FANS** adjusts cooling fan operation to balance the fixture's noise and light output characteristics. Cooling fans are set to the lowest speed possible and then increased as fixture operating temperature rises. If the fixture reaches maximum operating temperature and full-speed fan operation is not enough to control fixture temperature, light output intensity is limited to keep the fixture within its operating temperature range.

Because the MAC Ultra Wash adjusts the maximum possible output intensity level as a function of fixture temperature, the choice of cooling mode will affect the maximum intensity level available. The exact level will vary depending on factors such as ambient temperature, airflow in the installation etc., but to give an approximate indication, you can expect to obtain the following intensity levels in the fixture's different cooling modes relative to the CONSTANT FAN FULL mode:

- REGULATED FANS: 93%
 - CONSTANT FAN ULOW: 72%
 - CONSTANT FAN LOW: 96%
 - CONSTANT FAN MEDIUM: 99%
 - CONSTANT FAN FULL: 100%
- **KEYLIGHT CALIBRATION** is achieved by adding a small amount of CMY to the spectral enhancement filter and/or the CTO filter in order to give the most consistent white in multiple fixtures. Values for the amount of cyan, magenta and yellow added are set at the factory, and the calibration data is stored in the fixture. Replacing either of these filters with a new item may result in a slight shift in color temperature or spectral enhancement characteristics compared to other fixtures, but the keylight calibration function lets you recalibrate the fixture and eliminate any inconsistency.
- In firmware version 1.5.0, keylight calibration can be toggled between Automatic, Manual and Disabled via the standard user control menus, the DMX Control and Settings channel, RDM or P3.

- **AUTOMATIC** uses the keylight calibration values programmed during the original calibration process at the factory.
- **MANUAL** uses the custom keylight calibration values programmed on the Control / Settings DMX channel (see “Adjusting keylight calibration via DMX” on page 22).
- **DISABLED** disables all factory and custom calibration adjustments for the spectral enhancement filter and CTO filter – no CMY is added to the output when using one of these filters.
- **DISPLAY** offers the following options for the LCD display:
 - **DISPLAY SLEEP** sets the fixture display to black out a certain period after the last key press on the fixture’s control panel. If ERROR MODE (see below) is set to NORMAL, the display will light up again if the fixtures detects and error.
 - **DISPLAY INTENSITY** lets you adjust the brightness of the display backlighting by setting the intensity to a level from 10% to 100%.
 - **DISPLAY ROTATION** rotates the display manually through 180° so that it can be read easily no matter how the fixture is oriented.
 - **TEMPERATURE UNIT** lets you choose whether the fixture should display all temperature readings in Celsius or Fahrenheit.
- **ERROR MODE** enables or disables error warnings.
 - If set to **NORMAL**, the display is activated and lights up if the fixture needs to report an error.
 - If set to **SILENT**, the fixture does not light the display with error warnings but error messages can still be read when the display is activated manually.

In both **NORMAL** and **SILENT** modes, the status LED lights amber to indicate a warning and red to indicate an error.
- **HIBERNATION MODE** sets light output intensity to zero and disables effect deployment and pan/tilt movement. The main purpose of the mode is to protect the fixture from the intake of airborne material such as dust and confetti and to provide an option for situations where noise is critical. The small reduction in power consumption obtained in Hibernation Mode is not the main purpose of this mode. When you bring the fixture out of hibernation mode, it performs a full reset.
- **SCENE CAPTURE** lets you capture all the DMX values that the fixture is currently receiving and save them as a scene. If you enable **PLAYBACK**, the fixture will show that scene every time it is powered on or you carry out a reset.
 - If the fixture receives a DMX control signal during playback, it will immediately stop showing its saved scene. If the fixture is powered off and on again or if the fixture is reset, it will again show its saved scene.
 - To stop the fixture showing its saved scene at each power cycle or reset, set **PLAYBACK** to **DISABLE** in the **SCENE CAPTURE** menu or on the DMX Control / Settings channel.

Managing fixture settings

Factory default settings

FACTORY DEFAULT lets you reload the fixture’s factory default settings. Effect calibration settings are not affected, so any changes you have made to zoom, pan and tilt offsets will be kept.

Custom settings

The custom configuration function **CUSTOM 1 - CUSTOM 3** allows you to save and recall up to three sets of fixture settings. These include all the settings in the **PERSONALITY** menu as well as the fixture’s DMX address.

Fixture information readouts

The following fixture information can be called up in the display:

- **POWER ON TIME** provides two counters, one user-resettable, one non-resettable, that display the total number of hours the fixture has been powered on since manufacture.
- **POWER ON CYCLES** provides two counters, one user-resettable, one non-resettable, that display the total number of power on/off cycles since manufacture.
- **SW VERSION** displays the currently installed firmware (fixture software) version.
- **RDM UID** displays the fixture's factory-set unique ID for identification in RDM systems.
- **FAN SPEEDS** provides separate status readouts from the fixture's cooling fans.

Temperatures

The **TEMPERATURES** menu provides separate temperature readouts for each of the fixture's PCBs. You can choose to see the current readout or the minimum and maximum temperature levels since the fixture was last powered on.

DMX signal monitoring

The MAC Ultra Wash provides data on the DMX signal it is receiving in the **DMX LIVE** menu. This information can be useful for troubleshooting control problems.

- **RATE** displays the DMX refresh rate in packets per second. Values lower than 10 or higher than 44 may result in erratic performance, especially when using tracking control.
- **QUALITY** displays the quality of the received DMX data as a percentage of usable packets from the data received. Values much below 100 indicate interference, poor connections, or other problems with the serial data link that are the most common cause of control problems.
- **START CODE** displays the DMX start code. Packets with a start code other than 0 may cause irregular performance.

The **DMX LIVE** menu lets you scroll through all the fixture's DMX channels and display the DMX values from 0 - 255 that are being received on each channel.

Test sequences

The **FIXTURE TEST** menu lets you test:

- all the fixture's effects
- dimming functionality
- each individual mechanical effect, or
- pan and tilt only.

Before you run a test, prepare for the head to move and the fixture to light up suddenly without warning.

To run a test:

- In the **FIXTURE TEST** menu, scroll to **TEST ALL**, **TEST LEDS**, **TEST EFFECTS** or **TEST PAN/TILT** and press ENTER.
- In the **TEST EFFECTS** menu, scroll to the effect you want to test and press ENTER to start a test sequence for that effect.
- In the **TEST PAN/TILT** menu, choose **PAN** or **TILT**, make sure that the fixture base is held securely and that there is no danger of the fixture falling over or head colliding, then press ENTER to start the test sequence.
- Press MENU to stop the test sequence.

Manual control

The **MANUAL CONTROL** menu lets you reset the fixture and operate it without a DMX controller.

To execute commands in the **MANUAL CONTROL** menu, select the effect that you want to control, then enter a value from 0 to 255 for 8-bit commands or 0 to 65536 for 16-bit commands to apply that command. The menu items and values available correspond to the commands listed in the DMX protocol in this User Manual.

When you exit the **MANUAL CONTROL** menu, the fixture will keep its effect positions and settings until you enter a new menu. When you do this, the fixture will revert to default positions and settings. The fixture will also revert to default positions and settings if you exit and then re-enter **MANUAL CONTROL**.

also revert to default positions and settings if you exit and then re-enter **MANUAL CONTROL**.

Service

Servicing the fixture and the contents of the **SERVICE** menu are also covered in the MAC Ultra Wash Safety and Installation Manual supplied with fixtures and available for download from the product pages on the Martin website at www.martin.com.

Pan/tilt auto-calibration

From firmware v. 2.0.0, you can auto-calibrate pan and tilt in the SERVICE → ADJUST menu.

Important! Pan and tilt move through their full movement range during auto-calibration. Make sure that the fixture is secure and that there is space around the head for full pan and tilt movement before you carry out this function.

Module and fixture calibration

Fixtures are calibrated at the factory when the light engine, CMY module and effect module (color wheel effects module) are installed. We therefore recommend that you keep the original modules with the fixture if you disassemble the fixture for service. If you swap modules from one fixture to another, the fixtures may need to be recalibrated in order to maintain consistent color characteristics across different fixtures. A small label indicating the type and serial number of the original fixture is fixed to each module at the factory to help you keep modules together with their original fixture.

If you have replaced a module or a CMY flag and you notice a difference in color output compared with other MAC Ultra Wash fixtures, firmware v. 2.0.0 and later lets you choose from various options for deciding which source of calibration data the fixture will use in the SERVICE → COLOR CAL DATA menu. You can set the fixture to select a source of calibration data automatically, use the data stored on the main board or light engine board, or you can choose from one of five default calibration data settings, using the setting that gives the best color match across fixtures.

Calibrated Mode requires original internal modules

For the Calibrated Color Mode to function properly when running (and when uploading) firmware version 1.6.0 or later, the original main board, the original light engine and the original CMY module must be installed together in the same fixture. If there is a possibility that one or more of these modules has been replaced, we recommend that a qualified service technician with service documentation from Martin Professional opens the fixture to check. There is no specific serial number label on the main board module (UI PCBA), but the light engine module and CMY module are labeled with serial numbers that should be identical with the serial number located on the bottom of the fixture base if they are the original modules.

Adjusting settings via DMX

Certain fixture settings and parameters can be adjusted from the DMX controller on Channel 23, the Fixture Control/Settings channel. Commands sent on this channel override any settings entered in the fixture's onboard control menus.

To help you avoid accidentally applying a setting that may disrupt a light show, for example, the commands must be held for a certain time before they are applied. For example, the command that turns off the display illumination must be held for one second to activate it. The command that resets the fixture must be held for five seconds to activate it. The DMX protocol table in this user manual gives details of times required.

Resetting

Either the entire fixture or individual effects can be reset to their initial positions. Resetting individual effects can allow on-the-fly recovery if an effect loses its correct position, for example, without having to reset the entire fixture.

Illuminating the display

You can set the fixture's display panel to ON or OFF with a DMX command. This makes it possible to read the fixture's DMX address while the fixture is installed in the rig but black out the display panel during a show.

If the display is set to ON via DMX, it will enter sleep mode and black out after a short period of inactivity. To bring it out of sleep mode, set the display to ON again via DMX.

Control menu setting overrides

The following fixture settings can be adjusted via DMX, overriding the settings entered in the onboard control menus. See under "DMX protocols" on page 23 for details of these settings.

- Dimming curve
- Tungsten emulation
- Pan and tilt speed
- Effect shortcuts, also called parameter shortcuts (effects take shortest route when changing, even if this means crossing the open position)
- Focus tracking
- Video tracking
- Fan speed

It is also possible to adjust calibration offsets via DMX. This feature can be useful if you want to fine-tune pan, tilt or other effects after fixtures have been installed in a lighting rig, for example.

Adjusting calibration offsets via DMX

You can adjust the home positions of pan, tilt and all the fixture's effects remotely via DMX by setting custom calibration offsets on the Control/Settings DMX channel.

To set a custom offset in the position of an effect:

1. Set the effect to a specific value via DMX (for example, set all the fixtures in a group to DMX value 200 on the zoom channel).
2. Select 'Enable calibration adjustment' on the Control/Settings channel and hold for 5 seconds to activate.
3. The fixture now registers the current positions of all effects and holds them there. To select an effect to adjust, you must first release it from its hold position by changing the value on its DMX channel by +/- 10%. The effect then returns to its hold position. The effect's DMX channel now represents the full

calibration range. The range can vary but is typically +/- 5-10%. In this case you can adjust the effect's position using that effect's DMX channel (8 or 16 bit) as follows:

- DMX value 0 = -5%
 - DMX value 127/32767 = 0%
 - DMX value 255/65535 = +5%.
4. Adjust the effect until it is in the required position (for example, adjust the zoom angle on each fixture in the group until the angle on all fixtures is identical – this is the position that you will obtain when you send DMX value 200).
 5. Send a 'Store XXX calibration' command on the Control/Settings channel for each effect that you adjust and hold that command for 5 seconds to activate. The new calibration offset is now stored in memory.
 6. When you have finished adjusting calibration offsets, send value 0 on the Control/Settings channel and hold for 5 seconds to exit the DMX calibration procedure and return to normal DMX control.

Calibration offsets that are stored in memory are not affected by powering the fixture off and on or by updating the fixture software.

Restoring default calibration offsets

If you want to delete all custom calibration offsets and return the offsets to their default values:

1. On the Control/Settings DMX channel, send a 'Return all calibration settings to factory defaults' command and hold for 5 seconds.
2. The fixture will return all effects to their default calibration values.

Note that, If you have overwritten the factory default values by applying a SERVICE → CALIBRATION → SAVE DEFAULTS command in the fixture's onboard control panel, the fixture will return to the calibration values that were saved as the default values at that time. The SAVE DEFAULTS command in the fixture's control panel permanently replaces the factory default calibration settings with the current custom calibration settings.

Adjusting keylight calibration via DMX

Recalibration may become necessary to keep the keylight characteristics of multiple fixtures consistent if you replace the color temperature or spectral enhancement filter with a new one. See also the point 'KEYLIGHT CALIBRATION' on page 17.

Adjusting keylight calibration involves setting the amount of Cyan, Magenta and Yellow that is added to the CTO or spectral enhancement filter in order to fine-tune the output characteristics across multiple fixtures. You carry out these adjustments remotely via DMX.

To adjust the keylight calibration settings in multiple fixtures:

1. Apply power to the fixtures that you want to calibrate and aim them at an even white surface.
2. On each fixture, go to the Control / Settings DMX channel (Ch. 23), and hold the DMX value required for **Start CTO keylight calibration** or **Start spectral enhancement keylight calibration** for 5 seconds. The fixture will engage the CTO or spectral enhancement filter and set CMY to 0%.
3. On each fixture's CMY channels, adjust the CMY values until the output of all fixtures looks the same.
4. On the Control / Settings channel, hold the DMX value required for **Store CTO keylight calibration** or **Store spectral enhancement keylight calibration** for 5 seconds.

The fixture will now behave as follows:

- When keylight calibration is used in MANUAL mode, it will use the custom values stored using the above procedure.
- When keylight calibration is used in AUTOMATIC mode, it will use the values stored during the original calibration procedure at the factory.

DMX protocols

Basic Mode

From MAC Ultra Wash firmware version 1.0.0

Channel	DMX Value	Function	Fade type	Default value
Strobe / Intensity				
1	0 - 19	Shutter closed	Snap	30
	20 - 49	Shutter open		
	50 - 200	Strobe, slow → fast		
	201 - 210	Shutter open		
	211 - 255	Random strobe, slow → fast		
2	0 - 65535	Dimmer (16-bit)	Fade	0
3		Closed → open		
Color				
4	0 - 65535	Cyan (16-bit)	Fade	0
5		0 → 100%		
6	0 - 65535	Magenta (16-bit)	Fade	0
7		0 → 100%		
8	0 - 65535	Yellow (16-bit)	Fade	0
9		0 → 100%		
10	0 - 65535	CTC (16-bit)	Fade	0
11		0 → 100%		
12		Color wheel Indexing	Snap	0
	0	<i>Split colors (continuous color wheel indexing)</i> Open		
	1 - 14	Open → Color 1		
	15	Color 1 (Spectral enhancement)		
	16 - 29	Color 1 → Color 2		
	30	Color 2 (Blue)		
	31 - 44	Color 2 → Color 3		
	45	Color 3 (Deep Green)		
	46 - 59	Color 3 → Color 4		
	60	Color 4 (Orange)		
	61 - 74	Color 4 → Color 5		
	75	Color 5 (Navy Blue)		
	76 - 89	Color 5 → Color 6		
	90	Color 6 (Deep Red)		
	91 - 104	Color 6 → Open		
	105 - 160	Open		
		<i>Solid colors</i>		
	161 - 163	Color 1 (Spectral enhancement)		
	164 - 166	Color 2 (Blue)		
	167 - 169	Color 3 (Deep Green)		
	170 - 172	Color 4 (Orange)		
	173 - 175	Color 5 (Navy Blue)		
176 - 178	Color 6 (Deep Red)			
179 - 192	Open			
	Continuous rotation			
193 - 214	CW, fast → slow			
215 - 221	Stop (wheel stops at current position)			
222 - 243	CCW slow → fast			
	Random colors			
244 - 247	Fast			
248 - 251	Medium			
252 - 255	Slow			

Table 2: MAC Ultra Wash Basic DMX Mode

Channel	DMX Value	Function	Fade type	Default value
Beam effects				
13	0 - 255	Frost No frost → full frost	Fade	0
14	0 - 200 201 - 225 226 - 230 231 - 255	Iris Open → closed Animate fast → slow Iris stops at current position Animate reverse slow → fast	Fade	0
Zoom / Focus				
15	0 - 65535	Zoom (16-bit) Wide → narrow	Fade	32768
16				
17	0 - 65535	Focus (16-bit) Infinity → near	Fade	32768
18				
Movement				
19	0 - 65535	Pan (16-bit) Left → right	Fade	32768
20				
21	0 - 65535	Tilt (16-bit) Forward → backward	Fade	32768
22				
Control / Settings				
23	0 - 9 10 - 14 15 16 17 18 19 - 22 23 24 25 26 27 28 29 30 31 32 33 34 35 36 37 38 39 40 41- 51 52 53 54 55 56 57 58 59 - 60	Fixture control/settings <i>(hold for number of seconds indicated to activate)</i> Exit calibration adjustment and return to normal control – 5 sec. Reset entire fixture – 5 sec. <i>No function</i> Reset color – 5 sec. Reset beam only – 5 sec. Reset pan and tilt only – 5 sec. <i>No function</i> Linear dimming curve – 1 sec. (menu override, setting unaffected by power off/on) Square law dimming curve – 1 sec. (menu override, default setting, setting unaffected by power off/on) Inverse square law dimming curve – 1 sec. (menu override, setting unaffected by power off/on) S-curve dimming curve – 1 sec. (menu override, setting unaffected by power off/on) Standard pan and tilt speed – 1 sec. (default setting) Fast pan and tilt – 1 sec. (menu override - setting returns to <i>Standard pan and tilt speed</i> after power on/off) Smooth pan and tilt – 1 sec. (menu override - setting returns to <i>Standard pan and tilt speed</i> after power on/off) Effect shortcuts on (default setting) Effect shortcuts off Disable focus tracking – 1 sec. Focus tracking = Near distance – 1 sec. Focus tracking = Medium distance (default setting) – 1 sec. Focus tracking = Far distance – 1 sec. Enable video tracking Disable video tracking (default setting) Extended gamut mode – 1 sec. Calibrated color mode – 1 sec. Raw color mode (default setting) – 1 sec. <i>No function</i> Control panel display on (default setting) – 1 sec. Control panel display off – 1 sec. Regulated fan speed, fixed light output intensity (default setting) – 1 sec. Full fan speed, regulated light output intensity – 1 sec. Medium fan speed, regulated light output intensity – 1 sec. Low fan speed, regulated light output intensity – 1 sec. Ultra-low fan speed, regulated light output intensity – 1 sec. <i>No function</i>	Snap	0

Table 2: MAC Ultra Wash Basic DMX Mode

Channel	DMX Value	Function	Fade type	Default value
23 contd.	61	Hibernation mode on – 1 sec.	Snap	0
	62	Hibernation mode off (default setting)– 1 sec.		
	63	Followspot mode on – 5 sec.		
	64	Followspot mode off (default setting) – 5 sec.		
	65	Pan and tilt limits on – 1 sec.		
	66	Pan and tilt limits off (default setting) – 1 sec.		
	67	Pan limit low – 1 sec.		
	68	Pan limit high – 1 sec.		
	69	Tilt limit low – 1 sec.		
	70	Tilt limit high – 1 sec.		
	71	Reset pan and tilt limits – 1 sec.		
	72	Tungsten emulation on – 1 sec.		
	73	Tungsten emulation off (default setting) – 1 sec.		
	74	Scene capture record – 5 sec.		
	75	Scene capture playback on – 5 sec.		
	76	Scene capture playback off (default setting) – 5 sec.		
	77 - 80	<i>No function</i>		
	81	Enable Hyperzoom		
	82	Disable Hyperzoom (default setting)		
	83 - 86	<i>No function</i>		
	87	Keylight calibration disabled – 1 sec.		
	88	Keylight calibration manual – 1 sec.		
	89	Keylight calibration automatic (default setting) – 1 sec.		
	90 - 99	<i>No function</i>		
	100	Enable calibration adjustment – 5 sec.		
	101	Store pan and tilt calibration – 5 sec.		
	102	Store dimmer calibration – 5 sec.		
	103	Store Cyan calibration – 5 sec.		
	104	Store Magenta calibration – 5 sec.		
	105	Store Yellow calibration – 5 sec.		
	106	Store CTC calibration – 5 sec.		
	107	Store all CMYC calibration – 5 sec.		
	108 - 111	<i>No function</i>		
112	Store iris calibration – 5 sec.			
113	Store edge control calibration – 5 sec.			
114	Store zoom calibration – 5 sec.			
115	Store color wheel calibration – 5 sec.			
116 - 193	<i>No function</i>			
194	Start CTO keylight calibration – 5 sec.			
195	Start spectral enhancement keylight calibration – 5 sec.			
196	Store CTO keylight enhancement keylight calibration – 5 sec.			
197	Store spectral enhancement keylight calibration – 5 sec.			
198	Store all calibration settings (except keylight settings) – 5 sec.			
199	Return all calibration settings (except keylight settings) to factory defaults – 5 sec.			
200 - 255	<i>No function</i>			
P3 Mix				
24	0 - 26	P3 Mix <i>DMX Mode</i> Intensity and colors fully controlled by DMX, P3 pixel data ignored	Snap	0
	27 - 228	<i>Mixed Mode</i> Cross-fade from DMX control of intensity and colors to P3 control of intensity and colors: <ul style="list-style-type: none"> At 27, intensity and colors are still fully controlled by DMX. Between 27 and 228, you mix/crossfade from DMX to P3 control. At 228, the Intensity of each of the 10 x Animation segments is controlled by 10 x separate P3 pixels and color is controlled by P3 Pixel 1 (the black pixel on the P3 map). 		
	229 - 255	<i>Video Mode</i> Intensity of 10 x Animation segments controlled by P3, color controlled by DMX (DMX channels 'color' the P3 pixel data)		

Table 2: MAC Ultra Wash Basic DMX Mode

Channel	DMX Value	Function	Fade type	Default value
Pre-programmed FX				
25	0	FX1 selection (see FX table on page 27)	Snap	0
	1 - 254	No effect		
	255	Effect selection (adjust speed and direction on channel 26) Enable PWM frequency adjustment (adjust frequency on channel 26)		
26	0 - 126	FX1 speed and direction	Fade	128
	127 - 129	Effect reversed fast → slow		
	130 - 255	Effect stops Effect forward slow → fast		
27	0	FX2 selection (see FX table on page 27)	Snap	0
	1 - 254	No effect		
	255	Effect selection (adjust speed and direction on channel 28) Enable PWM frequency adjustment (adjust frequency on channel 28)		
28	0 - 126	FX2 speed and direction	Fade	128
	127 - 129	Effect reversed fast → slow		
	130 - 255	Effect stops Effect forward slow → fast		
29	0	FX synchronization	Snap	36
	1	No sync		
	2	Offset shift 10°		
	3	Offset shift 20°		
	4	Offset shift 30°		
	5	Offset shift 40°		
	6	Offset shift 50°		
	7	Offset shift 60°		
	8	Offset shift 70°		
	9	Offset shift 80°		
	10	Offset shift 90°		
	11	Offset shift 100°		
	12	Offset shift 110°		
	13	Offset shift 120°		
	14	Offset shift 130°		
	15	Offset shift 140°		
	16	Offset shift 150°		
	17	Offset shift 160°		
	18	Offset shift 170°		
	19	Offset shift 180°		
	20	Offset shift 190°		
	21	Offset shift 200°		
	22	Offset shift 210°		
	23	Offset shift 220°		
	24	Offset shift 230°		
	25	Offset shift 240°		
	26	Offset shift 250°		
	27	Offset shift 260°		
	28	Offset shift 270°		
	29	Offset shift 280°		
	30	Offset shift 290°		
	31	Offset shift 300°		
	32	Offset shift 310°		
	33	Offset shift 320°		
	34	Offset shift 330°		
	35	Offset shift 340°		
	36	Offset shift 350°		
37 - 100	Synchronized: all fixtures start FX cycles at same time <i>No function</i>			
101 - 120	<i>No function</i>			
121 - 140	Random start (Channel 25 controls overall speed)			
141 - 255	Random duration <i>No function</i>			

Table 2: MAC Ultra Wash Basic DMX Mode

Compact Mode

Available from MAC Ultra Wash firmware version 2.3.x

Compact Mode is identical to Basic Mode, but the P3 Mix and FX channels are removed to give a DMX footprint of 23 channels.

FX: pre-programmed effects

FX are implemented from MAC Ultra Wash firmware version 1.5.0. You can quickly check which firmware version a fixture is running using INFORMATION → FW VERSION in the fixture's control menus. For information on updating firmware, see the MAC Ultra Wash Safety and Installation Manual supplied with the fixture and available for download from www.martin.com.

The table on the following pages lists the pre-programmed dynamic FX (effect macros) available in the MAC Ultra Wash. To control the FX you can:

- Select an effect, or two effects that can run simultaneously, on DMX channels 25 and 27 by sending the values listed in the table.
- Adjust effect speed on channels 26 and 28.
- Adjust synchronization of effects across different fixtures on channel 29.

Effects types

Intensity FX (1-15)

These effects modulate the intensity of the output while keeping the color(s) set on the CMY and color wheel channels and any other effects applied.

Animation effects (32-46)

The MAC Ultra Wash's Animation effects modulate the ten individual segments of the fixture's LED engine individually, leading to unique animated effects.

Color FX (64-91)

These effects override the color(s) set on the CMY and color wheel channels.

Beam shaping FX (96-110)

These effects use the fixture's iris and zoom to dynamically change the shape of the beam.

Pan and tilt FX (224-235)

These effects use pan and tilt to move the beam following pre-programmed shapes.

PWM Tune (255)

Sending DMX value 255 on one of the FX selection channels 25 or 27 lets you adjust the LED PWM frequency. See "LED PWM frequency control" on page 8 for details.

Effects types

Available from MAC Ultra Wash firmware version 1.5.0.

DMX value	Effect
0	No FX
Intensity FX	
1	Strobe Pulse Width (when Strobe is activated on Channel 1)
2	Wave (sine wave)
3	Step (50/50 on/off)
4	Pulse
5	Blackout Strobe
6	2x Strobe
7	3x Strobe
8	4x Strobe
9	Up, Down, Flash
10	Up, Flash, Down, Flash
11	Random Levels
12	Electric Arc
13	Atomic Lighting
14	Thunderstorm
15	Welding
16 - 31	No function
Animation FX	
32	Stop Motion
33	Movie Flicker
34	Random Dimmers
35	Shakey Dimmers
36	Negative Pulse
37	Positive Pulse
38	Radar Wave
39	Radar Step
40	Radar Pulse
41	Odd/Even Wave
42	Odd/Even Step
43	Odd/Even Pulse
44	5-Step Wave
45	5-Step Step
46	5-Step Pulse
47 - 63	<i>No function</i>
Color FX	
64	Rainbow Wave
65	Rainbow Step
66	Rainbow Pulse
67	RGB Wave
68	RGB Step
69	RGB Pulse
70	CMY Wave
71	CMY Step
72	CMY Pulse
73	Mix to White Wave
74	Mix to White Step

Table 3: FX in the MAC Ultra Wash

75	Mix to White Pulse
76	Random Mix Wave
77	Random Mix Step
78	Random Mix Pulse
79	Random Subtle Wave
80	Red White Blue Fade
81	Red White Blue Snaps
82	Full Bumps
83	All Bumps
84	Split Bumps
85	Random Split Bumps
86	Color Shaker
87	Fire
88	Water
89	Ice
90	Hot and Cold
91	Warm and Fuzzy
91 - 95	<i>No function</i>
Beam Shaping FX	
96	Iris Wave (sine wave)
97	Iris Step (50/50 on/off)
98	Iris Pulse
99	Zoom Wave (sine wave, keeps current speed mode)
100	Zoom Step (50/50 on/off, keeps current speed mode)
101	Zoom Pulse (keeps current speed mode)
102	Random Size Wave
103	Random Size Step
104	Random Size Pulse
105 - 107	<i>No function</i>
108	Beam Splash
109	Beam Splash Invert
110	Pin to Flood (keeps current speed mode)
111 - 223	<i>No function</i>
Pan/Tilt FX	
224	Pan and Tilt Circle Small
225	Pan and Tilt Circle Medium
226	Pan and Tilt Circle Large
227	Pan and Tilt Figure 8 Small
228	Pan and Tilt Figure 8 Medium
229	Pan and Tilt Figure 8 Large
230	Pan and Tilt Diagonal Line Small
231	Pan and Tilt Diagonal Line Medium
232	Pan and Tilt Diagonal Line Large
233	Pan and Tilt Square Small
234	Pan and Tilt Square Medium
235	Pan and Tilt Square Large
236 - 254	<i>No function</i>
Full fixture	
255	PWM Tune

Table 3: FX in the MAC Ultra Wash

Control panel menus

MAC Ultra Wash firmware version 2.3.x.

Menu level 1	Menu level 2	Menu level 3	Menu level 4	Notes (Default settings in bold print)
DMX SETUP	DMX ADDRESS	1 – XXX		DMX address (default address = 1). The DMX address range is limited so that the fixture will always have enough DMX channels within the 512 available.
	CONTROL MODE	BASIC		Basic DMX control mode
		COMPACT		Compact DMX control mode
	DMX UNIVERSE	1 - 64000		Set DMX universe
ETHERNET SETUP	IP ADDRESS	XXX.XXX.XXX.XXX		Display fixture's static IP address
		PART 1 MSB		Set far left block (most significant byte) of IP address
		PART 2		Set middle left block of IP address
		PART 3		Set middle right block of IP address
		PART 4 LSB		Set far right block (most significant byte) of IP address
	SUBNET MASK	XXX.XXX.XXX.XXX		Display fixture's subnet mask
		EDIT SUBNET MASK	XXX.XXX.XXX.XXX	Display fixture's subnet mask
			XXX.XXX.XXX.XXX	Set subnet mask with 1 bit increments from the left
	MAC ADDRESS	XX:XX:XX:XX:XX:XX		Display fixture's MAC address
	RESET IP SETUP	RESET	ARE YOU SURE? YES/NO	Reset static IP address and subnet mask to default values
FIXTURE ID	0 – 9999		User-settable 4-digit fixture ID number (default = 0)	

Table 4: Control menus

Menu level 1	Menu level 2	Menu level 3	Menu level 4	Notes (Default settings in bold print)	
PERSONALITY	PAN/TILT	PAN INVERT	ON/OFF	Inverse DMX pan control: right → left	
		TILT INVERT	ON/OFF	Inverse DMX tilt control: down → up	
		FOLLOWSPOT MODE	ON/OFF	Enable followspot mode: pan/tilt motors disabled, head can be moved manually	
		LIMIT PAN/TILT	LIMIT ENABLE	ON/OFF	Enable limits for pan and tilt
			PAN MIN →	-32767	Set minimum pan angle limit
			PAN MAX →	32768	Set maximum pan angle limit
			TILT MIN →	-32767	Set minimum tilt angle limit
	TILT MAX →		32768	Set maximum tilt angle limit	
	RESET PAN/TILT LIMITS		Confirm with: ARE YOU SURE? YES/NO Returns fixture to default pan/tilt limits. The default limits match GT Truss with half-coupler rigging clamps.		
	SPEED	PAN/TILT	FAST	Optimize pan/tilt movement for speed	
			SMOOTH	Optimize pan/tilt movement for smoothness	
			STANDARD	Standard pan/tilt movement, balances speed and smoothness	
		EFFECT	FAST	Optimize effects movement for speed	
			SMOOTH	Optimize effects movement for smoothness	
STANDARD			Standard effects movement, balances speed and smoothness		
FOLLOW P/T			Effects speed follows the speed setting applied to pan and tilt via DMX or in control menu		

Table 4: Control menus

Menu level 1	Menu level 2	Menu level 3	Menu level 4	Notes (Default settings in bold print)
PERSONALITY (continued)	DIMMER CURVE	LINEAR		Optically linear dimming curve
		SQUARE LAW		Square law dimming curve
		INV SQ LAW		Inverse square law dimming curve
		S-CURVE		S-curve (fixture emulates incandescent lamp voltage linear RMS dimming curve)
	TUNGSTEN EMULATOR	ON		Color temperature and dimming characteristics emulate tungsten lamp behavior
		OFF		
	COLOR MODE	RAW		Direct control of CMY flags
		CALIBRATED		CMY flag calibration active; color across fixtures is even but deepest color saturation may not be available
		EXTENDED GAMUT		Gives combination of calibrated colors and deep color saturation
	FOCUS TRACKING	FAR		Focus adjusts to match zoom: optimized for long range projection
		MEDIUM		Focus adjusts to match zoom: optimized for mid-range projection
		NEAR		Focus adjusts to match zoom: optimized for close range projection
		DISABLED		Focus tracking function disabled
	VIDEO TRACKING	ENABLED		Color fading optimized for speed of color changes
		DISABLED		Color fading optimized for smoothness
	DMX RESET	ON		Fixture can be reset via DMX
		OFF		Fixture cannot be reset via DMX (note that this menu item can be overridden: see DMX protocol)
	EFFECT SHORTCUT	ON		Effects take shortest route during changes, crossing open positions if necessary
		OFF		Effects avoid open positions during effects changes
	COOLING MODE	CONSTANT FAN FULL		Fans optimized for maximum light intensity, fans run at full speed, light intensity reduced if necessary to keep fixture within temperature limits
		CONSTANT FAN MEDIUM		Fans run at medium speed, light intensity reduced if necessary to keep fixture within temperature limits
		CONSTANT FAN LOW		Fans run at low speed, light intensity reduced if necessary to keep fixture within temperature limits
		CONSTANT FAN ULOW		Fans optimized for lowest noise, fans run at ultra-low speed, light intensity reduced if necessary to keep fixture within temperature limits
		REGULATE FANS		Compromise between light intensity and quietness, fan speed temperature-regulated, light intensity only reduced if fans reach full speed and further action necessary to keep fixture within temperature limits

Table 4: Control menus

Menu level 1	Menu level 2	Menu level 3	Menu level 4	Notes (Default settings in bold print)
PERSONALITY (continued)	DISPLAY	DISPLAY SLEEP	10 MINUTES	Display goes into sleep mode 10 minutes after last key press
			5 MINUTES	Display goes into sleep mode five minutes after last key press
			2 MINUTES	Display goes into sleep mode two minutes after last key press
			ON	Display permanently on
		DISPLAY INTENSITY	10 ... 100 %	Set display intensity in % (default = 100)
		DISPLAY ROTATION	NORMAL	Display orientation normal
			ROTATE 180	Display orientation rotated 180°
	DISPLAY CONTRAST	3 ... 41 ... 100	Adjust contrast of display (default = 41)	
	ERROR MODE	NORMAL		Enable error messages and warnings in display
		SILENT		Disable error messages and warnings in display (the status LED will still light to indicate fixture status if an error has been detected or the fixture has a warning)
	HIBERNATION MODE	ON		Enable Hibernation Mode (light output set to zero, all effect movement disabled)
		OFF		Disable Hibernation Mode
	SCENE CAPTURE	RECORD	SAVE	Saves all current DMX values as playback scene
		PLAYBACK	ENABLE	Sets fixture to run currently saved playback scene after power cycle / reset. Any new DMX input disables scene playback until next power cycle.
DISABLE			Disable scene playback functionality	
DEFAULT SETTINGS	FACTORY DEFAULT	LOAD	ARE YOU SURE? YES/NO	Return all settings (except calibrations) to factory defaults
	CUSTOM 1	LOAD	ARE YOU SURE? YES/NO	Load Custom Settings 1
		SAVE	ARE YOU SURE? YES/NO	Save fixture's current settings as Custom Settings 1
	CUSTOM 2	LOAD	ARE YOU SURE? YES/NO	Load Custom Settings 2
		SAVE	ARE YOU SURE? YES/NO	Save fixture's current settings as Custom Settings 2
	CUSTOM 3	LOAD	ARE YOU SURE? YES/NO	Load Custom Settings 3
SAVE		ARE YOU SURE? YES/NO	Save fixture's current settings as Custom Settings 3	

Table 4: Control menus

Menu level 1	Menu level 2	Menu level 3	Menu level 4	Notes (Default settings in bold print)
INFORMATION	POWER ON TIME	TOTAL	0 ... XXX HR	Display hours fixture has been powered on since manufacture (not user-resettable)
		RESETTABLE	CLEAR COUNTER? YES/NO	Display hours fixture has been powered on since last counter reset (user-resettable)
	POWER ON CYCLES	TOTAL	0 ... XXX HR	Display number of times fixture has been powered on since manufacture (not user-resettable)
		RESETTABLE	CLEAR COUNTER? YES/NO	Display number of times fixture has been powered on since last counter reset (user-resettable)
	LED ON TIME	TOTAL	0 ... XXX HR	Display number of hours LEDs have been powered on since manufacture (not user-resettable)
		RESETTABLE	CLEAR COUNTER? YES/NO	Display number of hours LEDs have been powered on since last counter reset (user-resettable)
	FW VERSION*	XX.XX.XX		Displays currently active firmware version
	RDM UID*	4D50.XXXXXXXX		Displays fixture's unique RDM ID
	FAN SPEEDS*	HEAD FAN 1 -12 BASE FAN 1 - 4	0 - XXX RPM	Scroll to display current speed of each cooling fan (head and base)
TEMPERATURES*	UI ... CURRENT DRIVER	CURRENT / MIN / MAX X C	Scroll through PCB temperature sensors, then display current, minimum* and maximum* temperature in °C of all PCBs *Since fixture was last reset / powered on	
DMX LIVE*	RATE	0 - 44 HZ		DMX transmission speed in packets per second
	QUALITY	0 - 100%		Percent of packets received
	START CODE	0 - 255		Value of the DMX start code
	STROBE/ SHUTTER ... P3 MIX MODE	XXX		Scroll to see values received on each DMX channel
TEST*	TEST ALL	DIMMER ... TILT		Run test sequence of all functions To test a specific function, use Up/Down buttons to scroll through functions. Press Enter to pause and press again to restart test sequence. Press Menu button to exit test
	TEST LEDS	DIMMER		Run test sequence of LEDs only. Press Menu button to exit test
	TEST EFFECTS	CMY ... FOCUS		Run test sequence of effects. To test a specific effect, use Up/Down buttons to scroll through groups. Press Enter to pause and press again to restart test sequence. Press Menu button to exit test
	TEST PAN/TILT	PAN		Run test sequence of pan functions. Press Menu button to exit test
TILT		Run test sequence of tilt functions. Press Menu button to exit test		
MANUAL CONTROL*	RESET	ALL		Reset fixture
	STROBE/SHUTTER ... P3 MIX MODE			Scroll through effects, then manually control an effect

Table 4: Control menus

Menu level 1	Menu level 2	Menu level 3	Menu level 4	Notes (Default settings in bold print)	
SERVICE* (see "Activating service mode" on page 10)	ERROR LIST	Empty or up to 20 errors		Show all error and warning messages stored in memory.	
	FAN CLEAN	ON/OFF		Run cooling fans at high speed to dislodge dust and debris.	
	COLOR CAL DATA	AUTOMATIC		Calibration data chosen automatically	
		MAIN BOARD		Fixture uses calibration data on main board	
		LIGHT ENGINE		Fixture uses calibration data on light engine	
		DEFAULT 1 ... 5		Fixture uses one of five factory calibration presets	
	PAN/TILT FEEDBACK	ON		Enable pan/tilt position feedback system	
		OFF		Disable pan/tilt position feedback system	
	ADJUST (for use by – or with guidance from – Martin Service only)	P/T AUTO-CALIBRATION	PRESS UP →	START	Allow room for full pan/tilt movement before start
		PAN/TILT AT END STOP	STEP 1		To adjust, move head to end position and press ENTER
			STEP 2		To adjust, move head to end position again and press ENTER
		FROST	NOT ADJUSTED		Adjust full frost position
	0 - 255				
	CALIBRATION	CYAN ... TILT	<i>Calibration range varies depending on effect</i>		Scroll through effects, press Enter to select. Adjust position and press Enter to confirm.
		LOAD DEFAULTS	LOAD		Load factory default calibration settings
		SAVE DEFAULTS	SAVE		Replace factory default calibration settings with current calibration settings
	EXPECTED MODULES	MODULE STATUS	PAN ... PIXEL BEAM 1 FOUND / MISSING		Lists internal effect modules that the fixture expects to detect and reports them as either FOUND or MISSING
		UNKNOWN MODULE	NONE AVAILABLE		Every module has been detected as UNKNOWN
			XXXX (PAN ... PIXEL BEAM 1)		One module is displayed with a red flashing LED – identify which module is has the flashing LED and choose the module from the UNKNOWN module list to make it KNOWN
		DELETE MODULE	PAN ... PIXEL BEAM 1		CAUTION! Deletes module type ID. Module will now be detected as UNKNOWN
	SERVICE LOG	NO DEVICE / EXPORT		No USB device present Press ENTER to export Service Log data to USB device	
		CLEAR	ARE YOU SURE? YES/NO		Clears all saved error data
	USB	NO DEVICE		No USB memory device detected at USB port or no firmware detected on USB memory device	
UPDATING FILES		Fixture updating internal memory from USB memory device			
AVAILABLE FIRMWARE		XX.XX.XX ... XX.XX.XX		Select firmware from versions stored in internal memory. Scroll to select version, then press Enter and confirm your choice to update.	

Table 4: Control menus

*The TEMPERATURES, DMX LIVE, MANUAL CONTROL and SERVICE menus are not available when the fixture is operating on battery power.

Service and display messages

The MAC Ultra Wash gives service and maintenance information by displaying a large 3- or 4-character short code and a smaller full-text message in the fixture's display. The short code is visible at a distance, allowing easier reading with the fixture still in the rig, for example, while the full-text message gives more detailed information.

Excessively high temperatures

If any of the temperature sensors reports that the fixture has exceeded its recommended temperature range, the fixture reports a temperature warning and reduces light output to reduce its temperature. If the temperature reaches a dangerous level, light output is shut down completely.

Temperature warnings are canceled and full light output becomes available again as soon as the temperature returns to normal.

Warning messages

Warning messages indicate that either:

- problems might appear in the future if no action is taken, or
- the user needs to pay special attention to a function or procedure when working with the fixture.

The MAC Ultra Wash communicates warnings as follows:

- Warning codes are shown continuously in the display and disappear when the user reacts to the warning.
- If more than one warning is detected, all warnings are displayed in sequence.
- If the display is inactive, the fixture's status LED (see Figure 2 on page 9) flashes orange to indicate that there is a warning. Activating the display will show the warning.

The possible warning messages are listed in Table 5 below:

Short code	Long message and explanation
BANK	BANK NO ACCESS Error unpacking firmware bank during/after software upload. Fixture will continue to operate on existing firmware. Warning message is cleared by a successful software upload or at the next power off/on cycle.
BATM	BATTERY MODE Fixture in battery mode. Certain control menu items are not available.
BETW	BEAM TMP HIGH LED beam pixels sensor detects abnormally high operating temperature.*
CMTW	CMY TEMP HIGH CMY module sensor detects abnormally high operating temperature.*
EFTW	EFF TEMP HIGH Effects module sensor detects abnormally high operating temperature.*
FTNA	FROST ADJUST Frost effect out of adjustment range.
LDTW	LED DRV TMP HIGH LED Driver PCB sensor detects abnormally high operating temperature.*
LETW	LED BOARD TEMP HIGH LED PCB sensor detects abnormally high operating temperature.*
PNTW	PAN TEMP HIGH Pan motor sensor detects abnormally high operating temperature.*
PUTW	PSU TEMP HIGH PSU sensor detects abnormally high operating temperature.*

Table 5: Warning messages

Short code	Long message and explanation
SERV	SERVICE MODE Fixture in service mode.
TLTW	TILT TEMP HIGH Tilt motor sensor detects abnormally high operating temperature.*
UITW	UI TEMP HIGH User interface (LCD display and control panel) PCB sensor detects abnormally high operating temperature.*
ZFTW	ZF TEMP HIGH Zoom/focus PCB sensor detects abnormally high operating temperature.*

Table 5: Warning messages

**High temperature warnings are canceled as soon as temperature returns to normal. If temperature reaches cutoff level, the warning is replaced by a cutoff error message.*

Error messages

Error messages indicate that a problem is present. The MAC Ultra Wash communicates errors as follows:

- Error messages flash in the display.
- If more than one error is detected, the fixture flashes all errors three times each.
- Errors are shown in the display regardless of display status: they override an inactive display and any other information that the display might be showing.
- If an error is present, the status LED flashes red.

The possible error messages are listed in Table 6 below:

Short code	Long message and explanation
BCER	BEAM CALIB ERR No calibration data on main board – fixture will switch to ‘average’ calibration values, and color may not match exactly between multiple fixtures
BETC	BM TMP CUT OFF LED beam pixels temperature cutoff activated.
BETE	BM TMP SEN ERR LED beam pixels temperature sensor error.
C1ER	COLORWHEEL 1 ERR Color Wheel error.
CECM	COM ERR CMY CMY module communication error.
CEEF	COM ERR EFFECT Effects module communication error.
CELD	COM ERR LED DRV LED driver communication error.
CEPN	COM ERR PAN Pan system communication error.
CETL	COM ERR TILT Tilt system communication error.
CEZF	COM ERR Z/F Zoom/focus effect communication error.
CMTC	CMY TEMP CUTOFF CMY module temperature cutoff activated.
CMTE	CMY TEMP SEN ERR CMY module temperature sensor error.
COLD	FIXTURE COLD Fixture too cold. Physical movement of effects is disabled until fixture has warmed up.

Table 6: Error messages

Short code	Long message and explanation
CTER	CTC ERROR CTC flag position error.
CYER	CYAN ERROR Cyan flag position error.
EFTC	EFF TEMP CUTOFF Effects module temperature cutoff activated.
EFTE	EFF TEMP SEN ERR Effects module temperature sensor error.
F2TC	FROST TEMP CUTOFF Frost effect temperature cutoff activated.
F2TE	FROST TEMP SEN ERR Frost effect temperature sensor error.
FAN	BASE FAN 1 ERR
FAN	BASE FAN 2 ERR
FAN	BASE FAN 3 ERR
FAN	BASE FAN 4 ERR
FAN	HEAD FAN 1 ERR
FAN	HEAD FAN 2 ERR
FAN	HEAD FAN 3 ERR
FAN	HEAD FAN 4 ERR
FAN	HEAD FAN 5 ERR
FAN	HEAD FAN 6 ERR
FAN	HEAD FAN 7 ERR
FAN	HEAD FAN 8 ERR
FAN	HEAD FAN 9 ERR
FAN	HEAD FAN 10 ERR
FAN	HEAD FAN 11 ERR
FAN	HEAD FAN 12 ERR
FBEP	PAN FBACK ERR Pan position magnetic indexing system timeout. Fixture is unable to correct pan position (but pan movement will often still be possible).
FBET	TILT FBACK ERR Tilt position magnetic indexing system timeout. Fixture is unable to correct tilt position (but tilt movement will often still be possible).
FOER	FOCUS ERROR Focus position error.
LDTC	LED TEMP CUTOFF LED temperature cutoff activated.
LDTE	LED TEMP SEN ERR LED temperature sensor error.
LETC	LED BOARD TMP CUTOFF LED PCB temperature sensor cutoff activated.
LETE	LED BOARD SEN ERR LED PCB temperature sensor error.
MAER	MAGENTA ERR Magenta flag position error.
MMER	MISSING MODULE ERR Impossible to communicate with a module that should be present. Module missing or not correctly connected.
PAER	PAN ERROR Pan position electrical indexing system timeout.
PNTC	PAN TEMP CUTOFF Pan motor temperature cutoff activated.

Table 6: Error messages

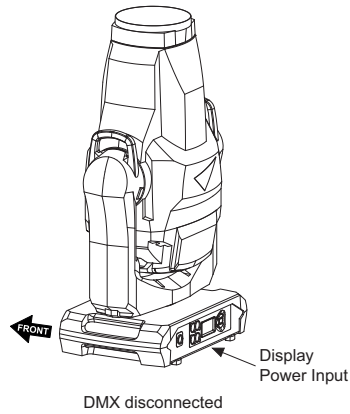
Short code	Long message and explanation
PNTE	PAN TEMP SEN ERR Pan motor temperature sensor error.
PSER	PAN SENSOR ERROR Fixture unable to retrieve reliable data from pan position sensor.
PTCM	P/T SENSOR ADJUST Pan/tilt sensors are incorrectly adjusted.
PUTC	PSU TEMP CUTOFF PSU temperature cutoff activated.
PUTE	PSU TEMP SEN ERR PSU temperature sensor error.
SEER	ARTNET SOURCES EXCEED Number of Art-Net control sources exceeded.
SEER	SACN SOURCES EXCEEDED Number of sACN control sources exceeded.
SLER	SAFETY LOOP Safety loop circuit activated. A temperature circuit breaker has shut down LEDs. Circuit breaker resets automatically after temperature has returned to normal operating range.
TIER	TILT ERROR Tilt position electrical indexing circuit timeout.
TLTC	TILT TEMP CUTOFF Tilt motor temperature cutoff activated.
TLTE	TILT TEMP SEN ERR Tilt motor temperature sensor error.
TSER	TILT SENSOR ERR Fixture unable to retrieve reliable data from tilt position sensor.
UECM	UPL ERR CMY Could not upload new CMY software during a firmware upload. Error cleared when new firmware is uploaded successfully or power is cycled off and on.
UEEF	UPL ERR EFFECT Could not upload new effects software during a firmware upload. Error cleared when new firmware is uploaded successfully or power is cycled off and on.
UELD	UPL ERR LED DRV Could not upload new LED driver software during a firmware upload. Error cleared when new firmware is uploaded successfully or power is cycled off and on.
UEPN	UPL ERR PAN Could not upload new pan system software during a firmware upload. Error cleared when new firmware is uploaded successfully or power is cycled off and on.
UETL	UPL ERR TILT Could not upload new tilt system software during a firmware upload. Error cleared when new firmware is uploaded successfully or power is cycled off and on.
UEZF	UPL ERR Z/F Could not upload new zoom/focus system software during a firmware upload. Error cleared when new firmware is uploaded successfully or power is cycled off and on.
UITC	UI TEMP CUTOFF User interface (LCD display and control panel) temperature cutoff activated.
UITE	UI TEMP SEN ERR User interface (LCD display and control panel) temperature sensor error.
WEER	WASH EFFECT ERROR Wash effect position error.
YEER	YELLOW ERROR Yellow flag position error.
ZFTC	ZF TEMP CUTOFF Zoom/focus module temperature cutoff activated.
ZFTE	ZF TEMP SEN ERR Zoom/focus module temperature sensor error.
ZOER	ZOOM ERROR Zoom car position error.

Table 6: Error messages

Control orientation reference

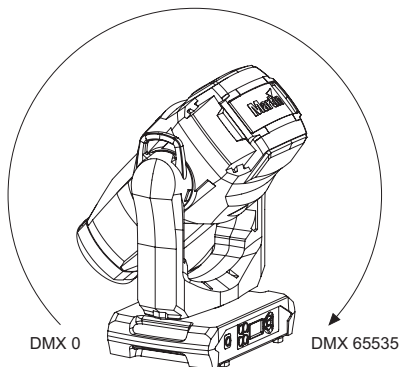
Pan and tilt control

Home position / Front of fixture



Tilt range = 268°

Tilt = DMX 0

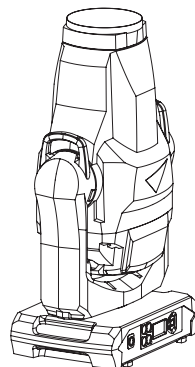


DMX 0

DMX 65535

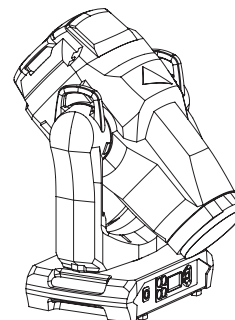
Pan = DMX 32768

Tilt = DMX 32768



Pan = DMX 32768

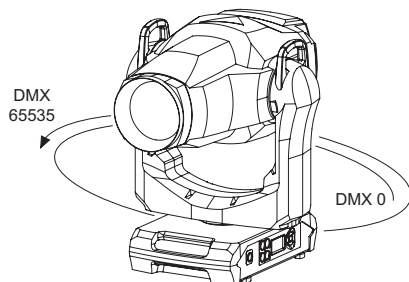
Tilt = DMX 65535



Pan = DMX 32768

Pan range = 540°

Pan = DMX 0

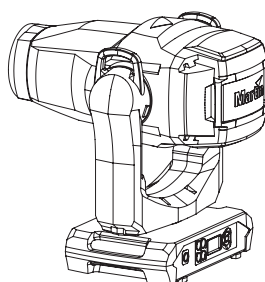


DMX 65535

DMX 0

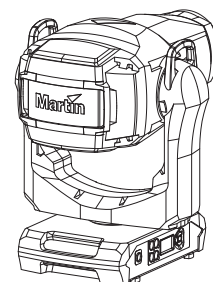
Tilt = DMX 10759

Pan = DMX 32768



Tilt = DMX 10759

Pan = DMX 65535

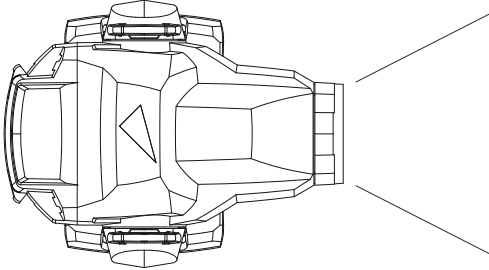


Tilt = DMX 10759

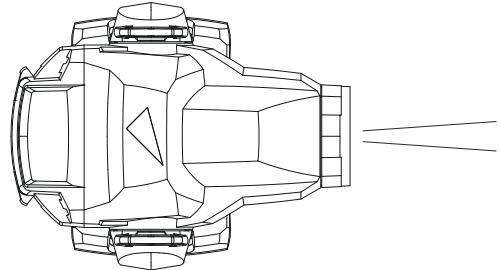
Zoom control

Zoom

Zoom Wide = DMX 0



Zoom Narrow = DMX 65535



MAC Ultra Wash

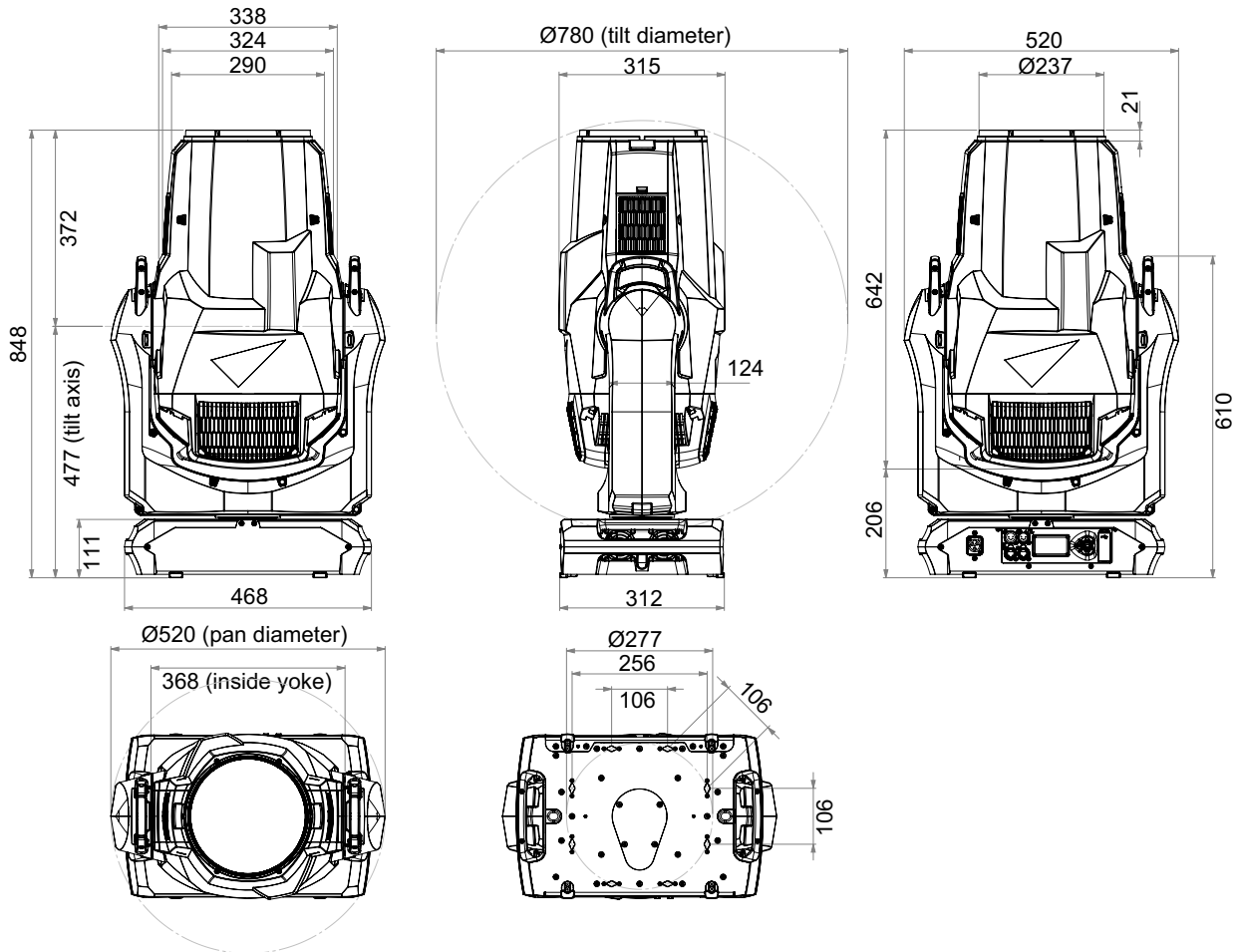
Safety and Installation Manual



Martin[®]

Dimensions

All measurements are given in millimeters



©2020-2026 HARMAN PROFESSIONAL DENMARK ApS. All rights reserved. Features, specifications and appearance are subject to change without notice. HARMAN PROFESSIONAL DENMARK ApS and all affiliated companies disclaim liability for any injury, damage, direct or indirect loss, consequential or economic loss or any other loss occasioned by the use of, inability to use or reliance on the information contained in this document. Martin is a registered trademark of HARMAN PROFESSIONAL DENMARK ApS registered in the United States and/or other countries.

HARMAN PROFESSIONAL DENMARK ApS, Olof Palmes Allé 44, 8200 Aarhus N, Denmark
HARMAN PROFESSIONAL SOLUTIONS U.S., 8500 Balboa Blvd., Northridge CA 91325, USA

www.martin.com

Contents

Safety Information.....	4
Introduction.....	7
Unpacking.....	7
Packing.....	7
Physical installation.....	8
Installation safety.....	8
Installation options.....	8
AC power.....	11
Electrical safety.....	11
Power input.....	11
Data links.....	13
Data via DMX cable.....	13
Data via Ethernet cable.....	14
Service and maintenance.....	15
Tilt lock.....	15
Cleaning.....	16
Battery replacement.....	16
Head air filters.....	17
Lubrication.....	18
Service utilities.....	18
Calibration.....	18
Installing firmware.....	19
Using the fixture.....	21
Battery power.....	21
Troubleshooting.....	22
Compliance and legal.....	23

Safety Information



WARNING!

Read the safety precautions in this section before installing, powering, operating or servicing this product.

The following symbols are used to identify important safety information ,on the product and in this document:



DANGER!
Safety hazard.
Risk of severe injury or death.



DANGER!
Hazardous voltage. Risk of lethal or severe electric shock.



WARNING!
Fire hazard.



WARNING!
Burn hazard. Hot surface. Do not touch.



WARNING!
Intense light emission.



WARNING!
Refer to user documentation.



Warning! The MAC Ultra Wash™ from Martin® contains components that are accessible and live at high voltage while the fixture is connected to power. These components remain under tension for up to five minutes after power is disconnected.



Warning! Risk Group 3 product according to EN 62471 and Risk Group 2 product according to IEC/TR 62778 (see “Protection from eye injury” on page 5 for full details). This product produces intense light output that may be hazardous if suitable precautions are not taken. Do not view the light output with optical instruments or any device that may concentrate the beam.



This product presents risks of severe injury or death due to fire and burn hazards, electric shock and falls if the safety precautions in this manual are not followed.

Read this manual before installing, powering or servicing the fixture. Follow the safety precautions and observe all warnings in this manual, in the MAC Ultra Wash User Guide and printed on the fixture.

The latest versions of this Safety and Installation Manual and the MAC Ultra Wash User Guide are available for download from the MAC Ultra Wash areas of the Martin website at www.martin.com. Before you install, operate or service the fixture, check the Martin website and make sure that you have the latest user documentation for the fixture. Document revisions are indicated at the bottom of page 2.

The MAC Ultra Wash is for professional use as a stage light only. It is not for household or general lighting applications. Respect all locally applicable laws, codes and regulations when installing, powering, operating or servicing the fixture.

Install, operate and service Martin products and accessories only as directed in their user documentation, or you may create a safety hazard or cause damage that is not covered by product warranties.

The latest software, manuals and other documentation for all Martin products are available for download at www.martin.com

Technical Support

If you have questions about how to install or operate the fixture safely, please contact Harman Professional Technical support:

- For technical support in North America, please contact: HProTechSupportUSA@harman.com
Phone: (844) 776-4899
- For technical support outside North America, please contact your national distributor.



PROTECTION FROM ELECTRIC SHOCK

- The fixture has an ingress protection rating of IP20 and is for use in dry locations only. Do not expose it to rain or moisture.
- Do not remove any cover from the fixture except as described under “Service and maintenance” on page 15.
- Disconnect the fixture from AC mains power before servicing it and when it is not in use.
- Ensure that the fixture is electrically connected to ground (earth).
- Use only a source of AC mains power that complies with local building and electrical codes and has both overload and ground-fault (earth-fault) protection.
- The fixture accepts AC mains power at 200-240 VAC (nominal), 50/60 Hz. Do not connect the fixture to mains power that is not within this range.
- The power input cable must be 14 AWG or 1.5 mm² minimum conductor size and heat-resistant to 90° C (194° F) minimum. Cables must have three conductors and an outer cable diameter of 6 - 12 mm (0.24 - 0.47 in.). In North America the cable must be UL/CSA-recognized, hard usage, type SJT, SJOOW or better. In the EU, the cable must be type HO5VV-F, H07RN-F or better.
- Connect only a Neutrik powerCON TRUE1 NAC3FX-W (TOP) type cable connector to the power input socket.
- Before using the fixture, check that all power distribution equipment, connectors and cables are in perfect condition and rated for the current requirements of all connected devices.
- Isolate the fixture from power immediately if the power plug or any seal, cover, cable, or other component is damaged, defective, deformed, wet or showing signs of overheating. Do not reapply power until repairs have been completed.
- The DMX and Ethernet transceivers of the fixture are isolated/SELV to prevent ground loops and for safety reasons.
- The fixture contains components that are accessible and live at high voltage while the fixture is connected to power and that remain under tension for up to five minutes after power is disconnected. Wait for at least five minutes after disconnecting from power before opening any of the fixture’s covers.
- Refer any service operation not described in this manual or in the MAC Ultra Wash User Guide to Martin Service or an authorized Martin Service partner.
- The light source contained in this fixture shall be replaced by Martin Service or an authorized Martin Service partner only.
- Do not use this equipment at an altitude of more than 2000 m (6570 ft.) above sea level.



PROTECTION FROM BURNS AND FIRE

- The exterior of the fixture becomes hot during use. After 5 minutes of operation a surface temperature of 85° C (185° F) shall be expected. The maximum steady state surface temperature is also 85° C (185° F). Avoid contact by persons and materials.
- Allow the fixture to cool for at least 30 minutes before handling.
- Keep all combustible materials (e.g. fabric, wood, paper) at least 0.2 m (8 in.) away from the fixture.
- Keep flammable materials well away from the fixture.
- Ensure that there is free and unobstructed airflow around the fixture.
- Provide a minimum clearance of 0.2 m (8 in.) around fans and air vents.
- Do not illuminate surfaces within 4.75 m (15.6 ft.) of the fixture.
- Do not expose the front lens to sunlight or any other strong light source from any angle. Lenses can focus the sun's rays inside the fixture, creating a potential fire hazard.
- Do not attempt to bypass thermostatic switches or fuses.
- Do not operate the fixture if the ambient temperature (Ta) exceeds 40° C (104° F).
- Do not modify the fixture in any way not described in this manual or the fixture’s User Guide or install other than genuine Martin parts. Do not stick filters, masks or other materials onto any lens or other optical component. Use only accessories approved by Martin to mask or modify the light beam.

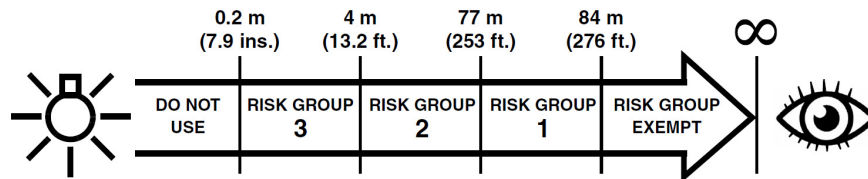


PROTECTION FROM EYE INJURY

- Do not stare at the light source.
- Do not look at LEDs with magnifiers, telescopes, binoculars or similar optical instruments that may concentrate the light output.
- Ensure that persons are not looking at the fixture when the fixture lights up suddenly. This can happen when power is applied, when the fixture receives a DMX signal, or when certain control menu items are selected.
- Disconnect the fixture from power at all times when the fixture is not in use.



- Provide well-lit conditions to reduce the pupil diameter of anyone working on or near the fixture.
- This fixture corresponds to Risk Group 3 according to EN 62471 when all photobiological risks are considered and Risk Group 2 according to IEC/TR 62778 for blue light only. It emits possibly hazardous optical radiation.
- The fixture falls into the Risk Group categories shown below according to both EN 62471 and IEC/TR 62778 under worst-case conditions:



- At a distance of less than 4 m (13.2 ft.) from the fixture, the light output can potentially cause eye or skin injury before an exposed person's natural aversion responses (blink reflex and reaction to skin discomfort) can protect them. At distances greater than 4 m (13.2 ft.), potential eye and skin injury hazards from the light output are normally prevented by natural aversion reflexes.
- Position the fixture so that persons cannot be exposed to the fixture's light output at a distance of less than 4 m (13.2 ft.) from the fixture, and so that prolonged staring into the light output at less than 77 m (253 ft.) from the fixture is not expected.



PROTECTION FROM INJURY

- Fasten the fixture securely to a fixed surface or structure when in use. The fixture is not portable when installed.
- Do not lift or carry the fixture alone.
- Apply the tilt lock and use the handles on the base and on the yoke when carrying the fixture.
- The handles on the back of the head are designed for use by a followspot operator only. Do not use them to carry the fixture.
- Use two evenly spaced omega brackets with clamps to suspend the fixture from rigging structures. Do not use only one clamp.
- When clamping the fixture to a truss or other supporting structure, use two half-coupler clamps. Do not use G-clamps, quick-trigger clamps or any other type of clamp that does not completely encircle the supporting structure when fastened.
- The fixture weighs 39 kg (86 lbs.). When suspending the fixture, check that the supporting structure and all hardware used to suspend the fixture can hold at least six (6) times the weight of all devices suspended from them and that the installation respects all similar safety factors that are required by locally applicable regulations. Check that the structure and hardware are in perfect condition and suitable for their purpose.
- If the fixture is installed in a location where it may cause injury or damage if it falls, install as described in this manual a secondary attachment such as a safety cable that is approved by an official body such as TÜV as a safety attachment for the weight that it secures. The safety cable must comply with EN/IEC 60598-2-17:2018 Section 17.7.4 or BGV C1 / DGUV 17, and must be capable of bearing a static suspended load at least six times (or more if required by locally applicable regulations) the weight that it secures.
- Eliminate as much slack as possible in the safety cable (by looping it more than once around the rigging truss, for example). Make sure that, if the primary attachment fails, the fixture cannot fall more than 20 cm (8 inches) maximum before the safety cable catches it.
- If the safety cable attachment point becomes deformed, do not suspend the fixture. Have the fixture repaired by an authorized Martin service partner.
- Check that all external covers and rigging hardware are securely fastened.
- Block access below the work area and work from a stable platform whenever installing, servicing or moving the fixture.
- Allow enough clearance around the head to ensure that it cannot collide with a person or object such as another fixture when it moves.

Introduction

Thank you for selecting the MAC Ultra Wash lighting fixture from Martin®.

This Safety and Installation Manual is supplied with the fixture. It gives details of installing and servicing the fixture. The MAC Ultra Wash User Guide, containing full instructions to help you set up, control and monitor the fixture, is available for download from the MAC Ultra Wash area of the Martin website at www.martin.com. If you have any difficulty locating this document, please contact your Martin supplier for assistance. The MAC Ultra Wash area of the Martin website also contains full product specifications and information to help you order accessories such as cables, flightcases etc.

Before installing, operating or servicing the MAC Ultra Wash, please check the fixture's area of the Martin website at www.martin.com and make sure that you have the latest user documentation for the product.

Product specifications are not included in the fixture's user documentation. You can find full specifications for the fixture in the MAC Ultra Wash area of the Martin website.

Unpacking

The MAC Ultra Wash is supplied in a SIP insert that is intended for use in the Martin MAC Ultra series flightcase. The fixture and SIP insert are supplied in a cardboard box that is designed to protect the fixture during initial shipment only. We strongly recommend that you store and transport fixtures in the rugged flightcases available from Martin (or custom flightcases of the same quality) using the SIP insert supplied with the fixture. The Martin flightcase holds two fixtures.

See the MAC Ultra Wash area of the Martin website at www.martin.com for details of flightcases and other accessories available for this fixture.

Avoiding condensation

If you move the fixture from a cold to a warm environment, remove it from its flightcase or packaging and give it at least two hours to acclimatise before you apply power. This will help to avoid damage due to condensation.

Tilt lock

Check that the tilt lock is released before applying power to the fixture.

See Figure 1. To release the tilt lock, slide the tilt lock button (arrowed) to the **Unlocked** position. To reapply the tilt lock, first check that the power is off and then slide the tilt lock button back to the **Locked** position.

Release the tilt lock before putting the fixture into its SIP insert and flightcase or cardboard box for transport or storage.

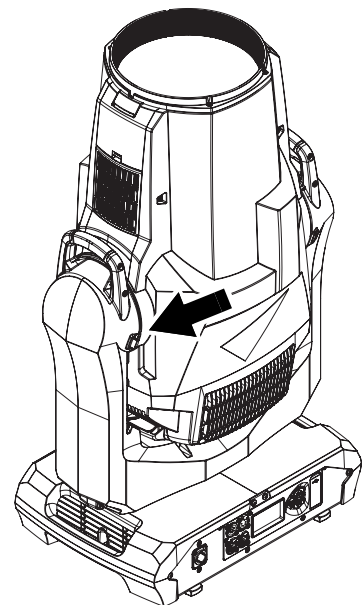


Figure 1: Tilt lock

Packing

Important! *Allow the fixture to cool for 30 minutes and release the tilt lock before packing it for storage or transport.*

The SIP insert supplied with the fixture is designed to support the head with the tilt lock in the **Unlocked** position. Release the tilt lock before putting a fixture into its SIP insert in a flightcase or cardboard box. Leaving the tilt lock applied may cause damage that is not covered by the product warranty when the fixture is moved.

Physical installation

Installation safety

The fixture weighs 39 kg (86 lbs.), not including installation hardware.

See “Dimensions” on page 2 for details of the fixture’s physical dimensions.



Warning! The MAC Ultra Wash has a powerful pan motor. The torque reaction when the head is panned suddenly can cause the base to move if the fixture is standing unsecured on a surface. Do not apply power to the MAC Ultra Wash unless the base is securely fastened to a stable surface or structure.

Warning! Use two evenly spaced rigging clamps to rig the fixture. Do not hang the fixture from only one clamp. Lock omega brackets to the base of the fixture with both 1/4-turn fasteners. Fasteners are locked only when turned a full 90° clockwise.

Warning! When suspending the fixture above ground level, secure it against failure of primary attachments by attaching a safety cable that is approved as a safety attachment for the weight of the fixture to the attachment point in the base. Do not use the carrying handles for secondary attachment.

Warning! When clamping the fixture to a truss or other structure at any other angle than with the yoke hanging vertically downwards, use two clamps of half-coupler type. Do not use any type of clamp that does not completely encircle the structure when fastened.

Warning! To avoid head collisions when installing MAC Ultra Wash fixtures beside each other, allow a minimum center-to-center distance between fixtures of 810 mm (32 in.). The fixture also contains a programmable pan/tilt limitation system that allows you to limit head movement where necessary in order to prevent head collisions. See the MAC Ultra Wash User Guide for details.



Warning! You can fasten the fixture to a surface with ratchet straps passed through the carrying handles in the base so that the fixture cannot fall over, but do not over-tighten the ratchet straps or you may damage the carrying handles and leave the fixture in an unsafe condition.

Warning! See Figure 2. The MAC Ultra Wash’s lens can focus sunlight and strong artificial light, creating a potential fire hazard and causing damage that is not covered by the product warranty. Position or shade the head so that the front lens will not be exposed to sunlight or another strong light source from any angle – even for a few seconds.

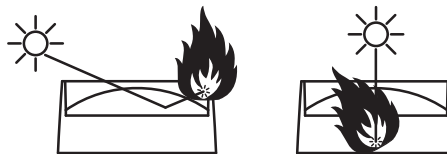


Figure 2: Potential sunlight damage

Important! Do not point the output from other lighting fixtures at the MAC Ultra Wash, as powerful light can damage the display.

Installation options

The MAC Ultra Wash can be fastened to a surface such as a stage or clamped to a truss in any orientation using two omega brackets (see Figure 4) and rigging clamps. Clamps must be half-coupler type (see Figure 4) or equivalent type that fully encircles the truss unless the fixture is installed with the yoke hanging vertically downwards, in which case other clamp types that are approved for the supported weight may be used.

The four pairs of quarter-turn mounting points in the base accept 106 mm (4.17 in.) center-to-center omega brackets (see Figure 4) for rigging clamp attachment. The omega brackets can be fastened to the base parallel to the fixture's sides or diagonally (see Figure 3).

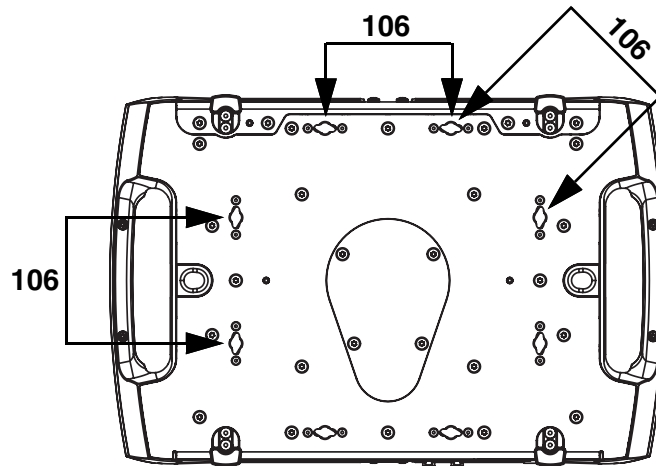


Figure 3: Omega bracket mounting points

Installation hardware

Two omega brackets suitable for use when rigging the MAC Ultra Wash are supplied with the fixture. Martin can supply as accessories suitable rigging clamps and safety cables that are approved for the weight of the fixture. Contact your Martin supplier for details.

Clamping the fixture to a truss

To clamp the MAC Ultra Wash to a rigging truss:

1. Check that all rigging hardware is undamaged and can bear at least six (6) times the weight of the fixture or as required by locally applicable regulations. Check that the supporting structure can safely bear the weight of all installed fixtures, clamps, cables, auxiliary equipment, etc. and complies with locally applicable regulations.
2. Bolt each rigging clamp securely to an omega bracket with an M12 bolt (minimum grade 8.8) and self-locking nut.

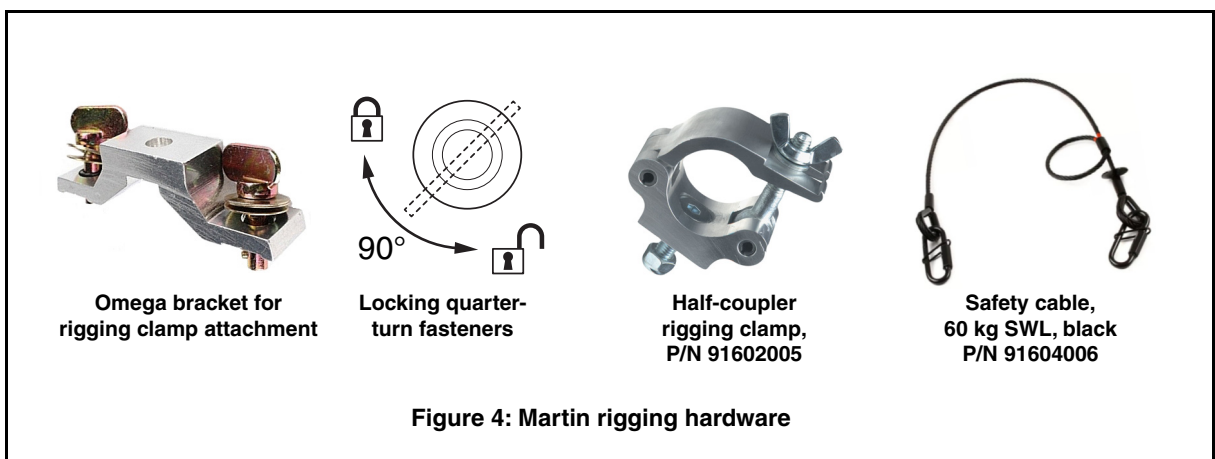


Figure 4: Martin rigging hardware

3. See Figure 3 on page 9. Align the first clamp and bracket with 2 mounting points in the base, and engage both the clamp bracket's quarter-turn fasteners in corresponding sockets in the base. See Figure 4. Turn the levers on the quarter-turn fasteners a full 90° clockwise to lock.
4. Repeat for the second clamp, installing it opposite the first so that the fixture will be held in balance.
5. Block access under the work area. See Figure 5. Note the position of the arrow marked **FRONT** on the base of the fixture. Working from a stable platform, hang the fixture on the rigging truss with the arrow marked **FRONT** facing towards the area to be illuminated. Tighten the rigging clamps.

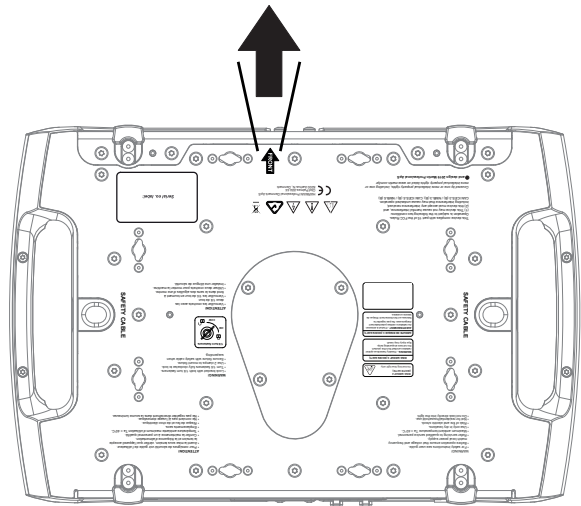


Figure 5: Front of fixture

6. See Figure 6. Install a safety cable that is approved as a safety attachment for the weight of the fixture by looping it through one of the safety cable attachment points (arrowed) in the bottom of the base and around a secure anchoring point so that the safety cable will catch the fixture if a primary attachment fails. Remove as much slack as possible from the safety cable (by looping it more than once around the truss, for example).
7. Check that the tilt lock is released. Check that there are no combustible materials within 0.2 m (8 in.) or surfaces to be illuminated within 4.75 m (15.6 ft.) of the fixture, and that there are no flammable materials nearby.

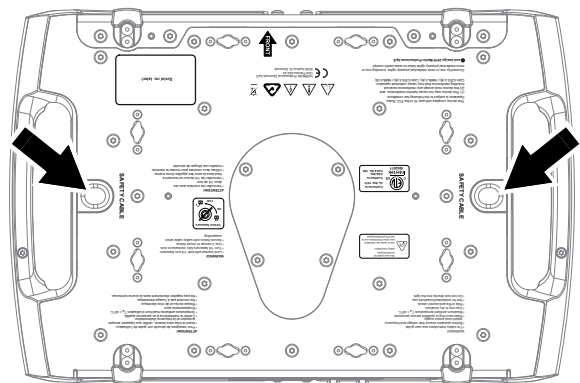


Figure 6: Safety cable attachment points

8. Check that there is no possibility of the head colliding with objects or other fixtures.
9. Check that other lighting fixtures cannot project light at the MAC Ultra Wash, as powerful illumination can damage the fixture's display.

AC power

Electrical safety

The MAC Ultra Wash features an auto-sensing switch-mode power supply that automatically adapts to AC mains power at 200-240 VAC (nominal), 50/60 Hz. Do not connect the fixture to power that is not within this range. *Note that the fixture must not be connected to AC mains power at 100-120 V.*

Maximum current draw is as follows:

- At 200 V: 8.0 A
- At 240 V: 6.7 A

Typical half-cycle RMS inrush current: 17 A at 230 V, 50 Hz.

Typical earth-leakage current: 0.59 mA.



Warning! Read “Safety Information” on page 4 before connecting the fixture to AC mains power.

For protection from electric shock, the fixture must be electrically connected to ground (earth). The AC mains power distribution circuit must be equipped with a fuse or circuit breaker and ground-fault (earth-fault) protection.

Power input

Important! Connect the MAC Ultra Wash directly to AC mains power. Do not connect it to a dimmer system; doing so may damage the fixture.

The MAC Ultra Wash automatically adapts to AC mains power at 200-240 VAC (nominal), 50/60 Hz. Connect the fixture only to AC mains power that is within this range.

The fixture requires a power input cable with a Neutrik powerCON TRUE1 NAC3FX-W (TOP) female cable connector for AC mains power input. The cable must meet the requirements listed under “Protection from electric shock” on page 5. Martin can supply suitable cables with female TRUE1 (TOP) input connectors and can also supply loose connectors. The specifications on the MAC Ultra Wash page on the Martin website at www.martin.com give details of all the suitable cables and connectors available from Martin.

Connection to an AC mains power source

When powering on, the MAC Ultra Wash will typically draw a half-cycle RMS inrush current of 17 A for a few milliseconds at 230 V, 50 Hz. To avoid unwanted tripping, we recommend the use of MCBs (Miniature Circuit Breakers) that are classified Type D according to IEC 60898/UL489/CSA C22.2 No. 5.

The power cable can be hard-wired to a building installation circuit or fitted with a mains plug (cord cap) to allow connection to local AC mains power outlets.

If you install a mains plug on the power cable, install a grounding-type (earthed) plug rated minimum 16 A, 250 V (example rating: EN 60309-2 CEE 2P+E 16 A/250 VAC), following the plug manufacturer’s instructions. Table 1 shows some possible mains power pin identification schemes; if the pins are not clearly identified, or if you have any doubts about proper installation, consult a qualified electrician.



Wire Color (US)	Wire Color (EU)	Pin	Symbol	Screw (US)
black	brown	live	L	yellow or brass
white	blue	neutral	N	silver
green	yellow/green	ground (earth)	 or 	green

Table 1: Cord cap (mains plug) connections

If you need to install a Neutrik powerCON TRUE1 connector on a power cable, follow the instructions on the Neutrik website at www.neutrik.com.

Applying power



Warning! The MAC Ultra Wash does not have a power On/Off switch. As soon as you connect an energized power input cable to the fixture or apply power to a power input cable that has already been connected, the fixture will power up: check that there is no safety risk from head movement or intense light output.

To apply power to the MAC Ultra Wash:

1. Check that the tilt lock is released and that the base is held securely. Be prepared for the fixture to light up and the head to move suddenly when power is applied.
2. See Figure 7. line up the keys in the power input cable's TRUE1 connector with the keyways in the MAINS IN socket (arrowed). Insert the connector into the socket and twist clockwise to engage. If the connector seems difficult to twist, remove it from the socket, check that you have lined up the keyways correctly and try again – do not use excessive force. Make sure that the connector latch clicks and that the connector is locked into the socket.
3. Apply power to the input cable to power the fixture on.

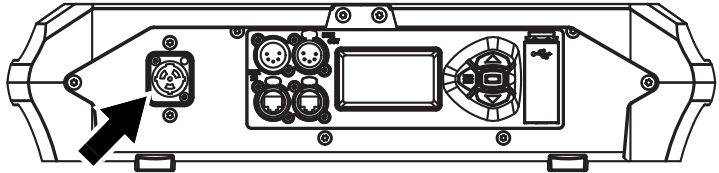


Figure 7: Mains input socket

To disconnect the MAC Ultra Wash from power, pull the release latch on the connector towards you to unlock the connector, twist the connector counter-clockwise, and then withdraw it from the MAINS IN socket.

Data links

Important! Shut down power to the fixture before connecting to or disconnecting from data.

The MAC Ultra Wash has two pairs of connectors for control data In/Out:

- one pair of XLR sockets (**A** in Figure 8), and
- one pair of etherCON sockets (**B** in Figure 8).

Only use one socket type – *either* XLR or etherCON – at any one time.

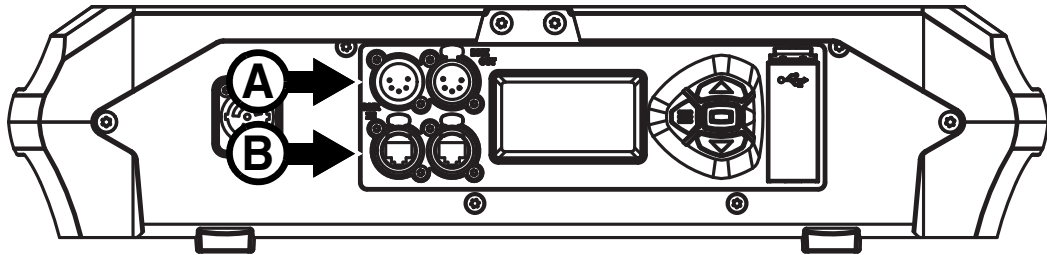


Figure 8: Data connections

Data via DMX cable

The MAC Ultra Wash has 5-pin locking XLR sockets (see **A** in Figure 8) for DMX and RDM input and output via DMX cable. The default pin-out on both sockets is:

- pin 1 to shield
- pin 2 to data 1 cold (-)
- pin 3 to data 1 hot (+).

Pins 4 and 5 are not used by the fixture but are bridged between input and output sockets. These pins can therefore be used as a pass-through connection for an additional data signal if required.

Tips for reliable data transmission via DMX cable

- Use shielded twisted-pair high-quality DMX cable.
- 24 AWG cable is suitable for runs up to 300 meters (1000 ft). Heavier gauge cable and/or an amplifier is recommended for longer runs.
- Do not use microphone cable, as standard microphone cable does not have the correct impedance and cannot transmit control data reliably over long runs.
- To split the data link into branches, use an optically isolated splitter-amplifier.
- Do not overload the DMX data link. You can connect up to a maximum of 32 devices on a serial DMX link.
- Install a DMX termination plug on the last fixture on the link.

Connecting to data via DMX cable

To connect the MAC Ultra Wash to DMX and/or RDM data carried over DMX cable:

1. Shut down power to the fixture.
2. Connect the DMX data output from the controller to the MAC Ultra Wash's data input (male XLR) socket using good-quality DMX cable.
3. Run DMX cable from the MAC Ultra Wash's data output (female XLR) socket to the data input of the next fixture and continue until the link is complete.

4. Terminate the data link by connecting a 120 Ohm, 0.25 Watt resistor between the data 1 hot (+) and cold (-) conductors at the data output of the last fixture on the link. If the link is divided into branches using a DMX splitter, terminate each branch of the link.
5. You can now apply power.

Data via Ethernet cable

The MAC Ultra Wash has Neutrik etherCON data sockets (see **B** in Figure 8) that support DMX and RDM over Art-Net and sACN as well as Martin P3 video. Either socket can be used for input and the other socket used for throughput.

The etherCON data sockets have a fail-safe bypass feature. This means that the fixture will relay a data signal from the socket used for input to the socket used for throughput even if power to the fixture is shut down or lost.

Tips for reliable data transmission via Ethernet cable

- Use shielded twisted-pair Ethernet cable of type S/UTP, SF/UTP, S/STP or SF/STP only. The cable must be rated Cat 5e or better.
- The cable shield must be electrically connected to connector housings, and the other devices on the data link must also support shielded connections.
- Note that the MAC Ultra Wash is compatible with 10/100 Mbit Ethernet only. Do not connect the fixture to a network port or device that is fixed to Gigabit Ethernet speed. If you need to integrate a MAC Ultra Wash in a Gigabit Ethernet network, use a network switch to allow the link towards the fixture to operate at 100 Mbit/s Ethernet speed.
- To split the data link into branches, use a standard network switch that is able to operate at 100 Mbit/s towards the fixtures.
- Even though every fixture has a fail-safe bypass mechanism and minimal latency insertion, we recommend that you avoid connecting more than 50 devices in a single daisy-chain or branch.
- Unlike DMX cable, Ethernet cable does not require termination at the end of a daisy-chain of fixtures.

Connecting to data via Ethernet cable

To connect the MAC Ultra Wash to Art-Net, sACN or P3 video via Ethernet cable:

1. Shut down power to the fixture.
2. Connect the Ethernet cable to either of the fixture's etherCON data sockets.
3. Run Ethernet cable from the fixture's other etherCON data socket to a data socket on the next fixture.
4. Continue connecting data sockets as described above until the link is complete.
5. You can now apply power.

Simultaneous DMX and P3 control

To control the MAC Ultra Wash using DMX/Art-Net/sACN and P3 video at the same time, connect the DMX/Art-Net/sACN signal to the P3 System Controller. The P3 Controller will then merge DMX commands and video data together and send a combined data signal to fixtures over the Ethernet link using the P3 protocol.

Service and maintenance



Warning! Read “Safety Information” on page 4 before servicing the MAC Ultra Wash.

Warning! Disconnect the fixture from AC mains power and allow to cool for at least 30 minutes before handling. Do not stare into the light output. Be prepared for the fixture to light and move suddenly when connected to power.



Warning! The MAC Ultra Wash contains components that are accessible and live at high voltage while the fixture is connected to power and that remain under tension for five minutes after power is disconnected. Only qualified technicians are permitted to open the fixture. Users may carry out external cleaning, replace the battery and replace air filters as described in this section, following the warnings and instructions provided, but any service operation not described in this manual or in the fixture’s User Guide must be referred to an authorized Martin service technician.



Important! Excessive dust, smoke fluid, and particle buildup degrades performance, causes overheating and will damage the fixture. Damage caused by inadequate cleaning or maintenance is not covered by the product warranty.



Pressing MENU and ENTER buttons immediately when the fixture name appears in the display while powering the fixture on puts the fixture into service mode in which pan and tilt motors are deactivated and SERV appears in the display. To take the fixture out of service mode, power off and then power on again normally.

The MAC Ultra Wash User Guide (available for download from the MAC Ultra Wash page on www.martin.com) gives full details of the menus in the fixture’s control panel.

The user must clean the MAC Ultra Wash periodically to maintain optimum performance and cooling. The user may also upload firmware (fixture software) to the fixture via the DMX data input port or USB port using firmware and instructions from Martin. All other service operations on the MAC Ultra Wash must be carried out by Martin, its approved service agents or trained and qualified personnel using the official Martin service documentation for the MAC Ultra Wash.

Installation, on-site service and maintenance can be provided worldwide by the Martin Professional Global Service organization and its approved agents, giving owners access to Martin’s expertise and product knowledge in a partnership that will ensure the highest level of performance throughout the product’s lifetime. Please contact your Martin supplier for details.

It is Martin policy to apply the strictest possible calibration procedures and use the best quality materials available to ensure optimum performance and the longest possible component lifetimes. However, optical components are subject to wear and tear over the life of the product, resulting in gradual changes in color over many thousands of hours of use. The extent of wear and tear depends heavily on operating conditions and environment, so it is impossible to specify precisely whether and to what extent performance will be affected. However, you may eventually need to replace optical components if their characteristics are affected by wear and tear after an extended period of use and if you require fixtures to perform within very precise optical and color parameters.

Tilt lock

The tilt position of the head can be locked for service. See Figure 1 on page 7.

Important! Release the tilt lock before applying power to the fixture.

Leaving the tilt lock applied during transport can result in damage that is not covered by the product warranty. The SIP insert is designed to protect the head from shocks during transport. Release the tilt lock before packing the fixture in its SIP insert for transport or storage in its flightcase or cardboard box.

Cleaning

Regular cleaning is very important for fixture life and performance. Buildup of dust, dirt, smoke particles, fog fluid residues, etc. degrades the fixture's light output and cooling ability.

Cleaning schedules for lighting fixtures vary greatly depending on the operating environment. It is therefore impossible to specify precise cleaning intervals for the MAC Ultra Wash. Cooling fans suck in airborne dust and smoke particles, and in extreme cases fixtures may require cleaning after surprisingly few hours of operation. Environmental factors that may result in a need for frequent cleaning include:

- Use of smoke or fog machines.
- High airflow rates (near air conditioning vents, for example).
- Presence of cigarette smoke.
- Airborne dust (from stage effects, building structures and fittings or the natural environment at outdoor events, for example).

If one or more of these factors is present, inspect fixtures within their first few hours of operation to see whether cleaning is necessary. Check again at frequent intervals. This procedure will allow you to assess cleaning requirements in your particular situation. If in doubt, consult your Martin dealer about a suitable maintenance schedule.

Follow these precautions when cleaning the fixture:

- Work in a clean, dry, well-lit area.
- Use gentle pressure only. Do not use any product that contains abrasives. Do not use solvents. Use care when cleaning optical components: surfaces are fragile and easily scratched.
- Use a vacuum cleaner – do not use a pressurized air jet. A vacuum cleaner will remove dirt from the fixture and from the area where you are working. An air jet may blow dirt into the fixture, and this can cause visible objects in projections and possibly even damage to the fixture.
- Do not apply a strong vacuum directly to a cooling fan, as the strong airflow may spin the fan blades fast enough to cause damage. Instead, hold the vacuum cleaner nozzle a few centimeters away from the fan and dislodge dust with a soft brush.

Cleaning procedure

To clean the fixture:

1. Disconnect the fixture from power and allow it to cool for at least 30 minutes.
2. Vacuum dust and loose particles from the outside of the fixture and the air vents at the back and sides of the head and in the base, using a soft brush to help dislodge dust.
3. Clean the front lens on the front of the head by wiping gently with a soft, clean, lint-free cloth moistened with a weak detergent solution. Do not rub the surface hard: lift particles off with a soft repeated press. Dry with a soft, clean, lint-free cloth or low-pressure compressed air. Remove stuck particles with an unscented tissue or cotton swab moistened with glass cleaner or distilled water.
4. Check that the fixture is dry before reapplying power.

Battery replacement

Warning! *Disconnect the fixture from AC power before replacing its battery. Do not attempt to recharge the battery, or you may create a risk of fire or explosion. Replace the battery with one of the same type only. New batteries are available from Martin (P/N 05801011).*

The MAC Ultra Wash has a non-rechargeable CR123A 3-volt lithium battery that provides power to the control panel and display when the fixture is not connected to AC mains power. If the battery runs flat you must replace it with a new one. Do not attempt to recharge it.

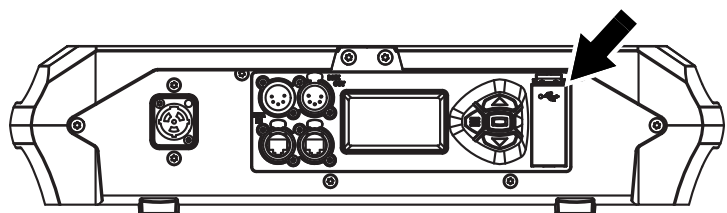


Figure 9: Battery compartment

See Figure 9. The battery is located in the USB port / battery compartment (arrowed) next to the control panel on the base of the fixture.

To replace the battery:

1. Disconnect the fixture from AC mains power and allow to cool.
2. See Figure 10. Push down on the locking tab (arrowed) with a screwdriver to release the USB port / battery compartment cover and remove the cover.
3. Remove the used battery and insert a new one of the correct type, respecting battery polarity (positive terminal facing downwards, away from the head).

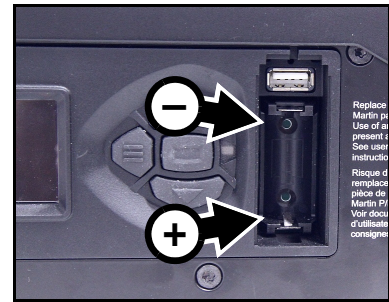


Figure 10: Battery replacement

4. Reinstall the compartment cover and check that it is closed securely before reapplying power.

Send used batteries to an authorized waste recycling center for recycling. Do not treat a battery as household waste.

Head air filters

MAC Ultra Wash fixtures are protected from the entry of dirt and dust by two air filters, one on each side of the head. Free airflow through filters is important for effective cooling, effective performance and maximum product life. Air filters therefore require periodical service.

Two types of air filter are available from Martin suppliers as service items for the MAC Ultra Wash:

- Re-usable air filters with a metal element, available as single filters (P/N 5132434-00).
- Disposable air filters with a paper element, available in sets of 12 filters (P/N 50400765).

Regardless of which type of filter the fixture is supplied with, you are of course free to choose which type you will use. The metal filters can be cleaned and re-used. Note that the filter mesh is not as fine as with paper filters, so the fixture may require internal cleaning at shorter intervals than you are used to.

Air filter service intervals depend on the environment the fixture is used in. Inspect air filters visually at regular intervals. Clean the fixture's metal re-usable filters – or replace paper filters – if they are visibly contaminated by dust, dirt, residue from atmospheric effects, etc.

To service the head air filters:

1. Disconnect the fixture from power and allow components to cool for 30 minutes.
2. Position the head so that the air filter covers are accessible and apply the tilt lock (see Figure 1 on page 7).
3. See Figure 11 (MAC Ultra Performance model shown). Unclip and remove the two air filter covers, one on each side of the head.

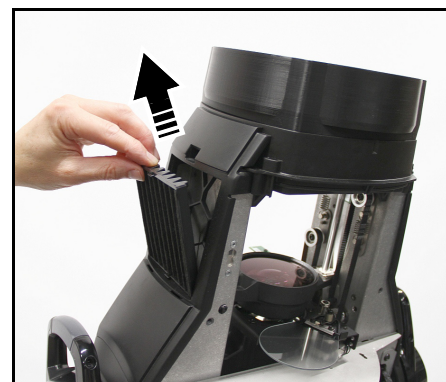
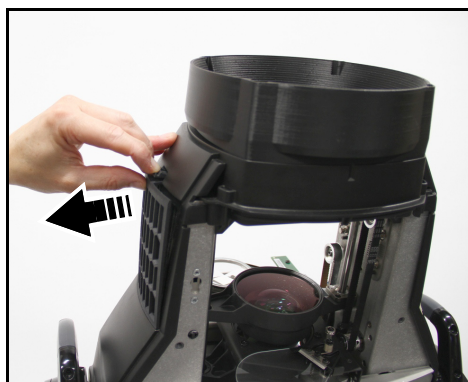


Figure 11: Releasing head air filter

4. Remove the air filters from their recesses in the head. Dispose of paper air filters. Do not try to clean or re-use a paper air filter. Clean metal air filters with a soft brush and vacuum cleaner or compressed air,

taking care to avoid damaging the filter mesh. If metal filters are greasy, you can clean them in a household dishwasher at maximum 50° C (122° F), short cycle recommended. Dry them completely before reinstalling. The metal filter is designed to be re-used, but replace it with a new item if it is not in clean, undamaged condition after cleaning.

5. Place the clean air filters into their recesses in the head, making sure that there is no gap for air to pass around the edges of the filter.
6. Hook the rear end of each filter cover into the head and push the front end into the head until its clip engages fully. Check that the covers are held securely and cannot fall out of the head.
7. Release the tilt lock before applying power or packing the MAC Ultra Wash in its flightcase.

Lubrication

The MAC Ultra Wash does not require lubrication under normal circumstances. Moving parts can be checked and a long-lasting Teflon-based grease reapplied by a Martin service partner if necessary.

Service utilities

The fixture's **SERVICE** menu provides utilities for technicians rigging or servicing the fixture:

- **ERROR LIST** displays a list of any status messages stored in memory. Up to 20 messages can be displayed.
- **FAN CLEAN** lets you set cooling fans to run at high speed to remove loose dust.
- **PAN/TILT FEEDBACK** lets you disable feedback to the fixture software from the pan, tilt and effects positioning systems.
 - If feedback is set to **ON** and a pan, tilt or effect position error is detected, the shutter closes and the effect resets.
 - This feature can be disabled by setting feedback to **OFF**. The **OFF** setting is not saved when the fixture is powered off, and the system will be re-enabled the next time the fixture starts.
- **ADJUST** is for use by Martin Service only. **Important!** Do not use the items in this menu without guidance or service documentation from Martin Service.
- For details of the **CALIBRATION** menu, see next section,
- **USB** provides two utilities:
 - **USB → FIRMWARE** lets you update the firmware (fixture software) from a USB flash memory drive. For a detailed guide to updating the firmware from a USB drive, see "Installing using a USB memory device" later in this chapter.
 - **USB → SERVICE LOG** (available from firmware version 1.2.0 which is due for release mid-2021) lets you save the fixture ID, current counter values and any status messages stored in the fixture's memory to a USB flash memory drive. You can also delete all the status messages permanently from the fixture's memory.

Calibration

Martin fixtures are adjusted and calibrated at the factory, and further calibration should only be necessary if fixtures have been subjected to abnormal shocks during transport or if normal wear and tear has affected alignment after an extended period of use. You can also use calibration to fine-tune fixtures for a particular location or application.

The **SERVICE → CALIBRATION** menu lets you define offsets in the fixture software to adjust the positions of pan, tilt and effects relative to the DMX values the fixture receives. This allows you to fine-tune fixtures and achieve uniform behavior in multiple fixtures.

We recommend the following procedure:

1. Aim a reference fixture and the fixtures that you want to calibrate at a flat surface. You can calibrate fixtures one at a time or line up multiple fixtures in a row. Apply power and set pan, tilt and effects to the same DMX values.
2. In each fixture, scroll through the effects in the **SERVICE → CALIBRATION** menu and adjust the position of any effects that need calibration while comparing the light output with the reference fixture. The calibration range available varies depending on the effect.
3. After selecting a value, press ENTER to confirm. The fixture will remember any new calibration values that you have set, and the new positions will not be affected by powering the fixture off and on.

Loading and storing default calibration offsets

- **CALIBRATION** → **LOAD DEFAULTS** lets you erase any custom calibration offsets that you have defined and reload the default calibration offsets that are stored in memory.
- **CALIBRATION** → **SAVE DEFAULTS** lets you overwrite the factory default calibration offsets that are stored in memory with any new offsets that you have defined.

Important! Overwriting is permanent. Once you have saved new default offsets, **LOAD DEFAULTS** will load the new defaults, not the original factory defaults. Once you have used a **CALIBRATION** → **SAVE DEFAULTS** command it will be impossible to restore the original factory defaults, even with a firmware upload.

Installing firmware

Important! Do not switch the fixture off or disconnect the source of the firmware during an update, or the firmware will be corrupted.

The currently installed firmware (fixture software) version appears briefly in the control panel display at startup. You can also check it at any time in the **INFORMATION** menu in the fixture's control panel.

Fixture information and settings are not affected when you upload new firmware to the fixture.

If you update firmware to a newer version, check the MAC Ultra Wash area of www.martin.com to see whether updated versions of the Safety and Installation Manual and User Guide are available for the fixture.

You need the following in order to install firmware:

- A Windows PC running the latest version of the Martin Companion software suite that is available for download from the Martin website at www.martin.com.
- The latest MAC Ultra Wash firmware files. Martin Companion automatically downloads these from the Martin fixture firmware cloud when you run Martin Companion on a PC that is connected to the Internet.
- Either:
 - a Martin Companion Cable USB-DMX hardware interface (you can find information about this product on the Martin website at www.martin.com), or
 - a USB flash memory drive formatted in Windows using the FAT32 file system.

Installing using a Martin Companion Cable

If you use a Martin Companion Cable it is possible to update multiple fixtures in one operation. All MAC Ultra Wash fixtures that are powered on and connected via a DMX link to the fixture that you update will also have their firmware updated.

To install the MAC Ultra Wash firmware using a Martin Companion Cable:

1. Apply power to the MAC Ultra Wash fixture (or fixtures) and allow it (or them) to boot.
2. Connect the Martin Companion Cable's USB connector to a USB port on your PC. Connect the Martin Companion Cable's XLR connector to either the fixture's DMX IN connector or the DMX link.
3. Start the PC and launch Martin Companion. Check that the Martin Companion application correctly detects the Martin Companion Cable (a green dot should appear next to **USB Connected** in the top right-hand corner of the window).
4. In Martin Companion's **Firmware - Fixture Update** window, locate the MAC Ultra Wash firmware version that you want to install.
5. Start the firmware update by clicking **Update Firmware** in Martin Companion. Do not disconnect the Martin Companion Cable or power off the fixture(s) until the upload is complete and the fixture(s) have successfully rebooted. If you are updating multiple fixtures over the DMX link, check that they have all rebooted correctly.
6. The newly-installed firmware version will now be displayed in the **INFORMATION** menu.

Installing using a USB memory device

To install the MAC Ultra Wash firmware in one fixture using a USB flash memory drive:

1. Launch the Martin Companion software suite on a PC that is connected to the Internet. Martin Companion will automatically download the latest Martin firmware files from the Martin cloud.
2. In Martin Companion's **Firmware - Fixture Update** window, click on **Download USB Stick Firmware** and navigate to the root directory of the USB drive where you want to save the firmware.
3. Click on **Select Folder**. Martin Companion will automatically save the firmware files in a correctly named folder to the USB drive's root directory.

4. When you see a **Download Successful** message you can close Martin Companion. Check that the USB drive now contains a folder whose name is the fixture type and software version. Then use an **Eject** command in Windows to make sure that you can remove the drive safely, and remove the drive from the PC.
5. Apply power to the fixture and allow it to boot. Insert the USB drive into the USB host socket next to the fixture's control panel. The fixture should illuminate the display and the contents of the root directory should appear in the display. If the fixture does not recognize the USB drive automatically, navigate to **SERVICE** → **USB** in the control panel.
6. Scroll to the folder that contains the update files on the USB drive. Select the folder and press ENTER. The update will begin automatically and the display will show progress status. At the end of the update process the fixture will reboot. Do not remove the USB drive until the reboot is complete.
7. Remove the USB drive from the fixture. The newly-installed firmware version will now be displayed in the **INFORMATION** menu.

Using the fixture

Before using the fixture, download and read the latest version of the MAC Ultra Wash User Guide from the MAC Ultra Wash area of the Martin website at www.martin.com. The User Guide contains details of:

- The effects available in the fixture.
- The control options available using DMX and/or RDM.
- The setup, monitoring and control options available using the onboard control and display panel.
- Software service functions.



Warning! Before applying power to the fixture:

- **Read the safety information section of this manual starting on page 4.**
- **Read “Applying power” on page 12.**
- **Check that the installation is safe and secure.**
- **Check that the base is fastened securely so that the torque reaction when the head moves will not cause the base to move.**
- **Check that the head tilt lock is released (see “Tilt lock” on page 7).**
- **Be prepared for the fixture to light up suddenly. Check that no-one is looking at the fixture from close range.**
- **Be prepared for the head to move suddenly. Check that there will be no risk of collision with persons or objects.**
- **In a hot or cold environment, check the temperature. Do not operate the fixture if the ambient temperature is below 5° C (41° F) or above 40° C (104° F).**

The MAC Ultra Wash does not have an On/Off switch. To apply power to the fixture, apply power to the power input cable. Neutrik powerCON TRUE1 connectors also support hot-plugging.

Battery power

The MAC Ultra Wash’s battery gives access to the most important functions in the control panel when the fixture is not connected to AC mains power.

The battery is not rechargeable. Do not try to recharge it, or you may create a risk of fire or explosion.

The following functions are available on battery power:

- DMX and Ethernet addressing and setup
- Fixture ID
- PERSONALITY menu
- DEFAULT SETTINGS loading and saving
- INFORMATION menu

To activate the display when the fixture is not connected to mains power, press MENU. Press MENU again to enter the menus.

The display extinguishes after 10 seconds with no user input and the control panel is de-activated after one minute with no user input. Press MENU again to re-activate.

Troubleshooting

Problem	Probable cause(s)	Remedy
One or more of the fixtures is completely dead.	No power to fixture.	Check that power is switched on and cables are plugged in.
	Fuse blown or internal fault.	Contact Martin Service or authorized service partner. Do not remove base or yoke covers, attempt to replace a fuse or carry out any repairs or service that are not described in this Safety and Installation Manual unless you have both authorization from Martin and official Martin service documentation.
Fixtures reset correctly but respond erratically or not at all to the controller.	Bad data link.	Inspect connections and cables. Correct poor connections. Repair or replace damaged cables.
	Data link not terminated.	Insert DMX termination plug in data output socket of the last MAC Ultra Wash on the data link.
	Incorrect addressing of fixtures.	Check fixture address and protocol settings.
	One of the fixtures is defective and is disturbing data transmission on the link.	Unplug the data in and out connectors and connect them directly together, or insert a relay cable, to bypass one fixture at a time until normal operation is regained. Have the fixture serviced by a qualified technician. Power fixtures off and on again to see if a restart solves the issue.
Timeout error after fixture reset.	Effect requires mechanical adjustment.	Check fixture's stored error messages for more information. Contact Martin Service or authorized Martin service partner.
Mechanical effect loses position.	Mechanical train requires cleaning, adjustment, or lubrication.	Check fixture's stored error messages for more information. Contact Martin Service or authorized Martin service partner.
Light output cuts out intermittently.	Fixture is too hot.	Check fixture's stored error messages for more information. Allow fixture to cool. Clean fixture. Reduce ambient temperature.
Control panel display only operates when fixture is connected to AC mains power.	Onboard battery fully discharged.	Replace battery with new one of same type (battery is not rechargeable).

Table 2: Troubleshooting

Compliance and legal

Approvals

This product has been tested and found to comply with the following standards:

- Global CB Certification/IECEE: IEC 60598-2-17 (IEC 60598-1)
- EU safety: EN 60598-2-17 (EN 60598-1), EN 62471, EN62493
- EU EMC: EN 55015, EN 55032, EN 55035, EN 61000-3-2, EN 61000-3-11, EN 61547
- US safety: UL1573
- US EMC: FCC Part 15 Class B
- Canadian safety: CSA C22.2 No. 166
- Canadian EMC: ICES-003 Class B; ICES-005 Class B
- United Kingdom: UKCA
- Australia/NZ: RCM



FCC Compliance

This equipment has been tested and found to comply with the limits for a Class B digital device, pursuant to part 15 of the FCC Rules. These limits are designed to provide reasonable protection against harmful interference when the equipment is operated in a commercial environment. This equipment generates, uses and can radiate radio frequency energy and, if not installed and used in accordance with the instructions, may cause harmful interference to radio communications. Operation of this equipment in a residential area is likely to cause harmful interference, in which case the user will be required to correct the interference at his own expense.

Supplier's Declaration of Conformity

Harman Professional, Inc. have issued an FCC Supplier's Declaration of Conformity for this product. The Declaration of Conformity is available for download from the MAC Ultra Wash area of the Martin website at www.martin.com

Canadian Interference-Causing Equipment Regulations - *Règlement sur le Matériel Brouilleur du Canada*

This Class B digital apparatus meets all requirements of the Canadian Interference-Causing Equipment Regulations.
Cet appareil numérique de la classe B respecte toutes les exigences du Règlement sur le Matériel Brouilleur du Canada.
CAN ICES-003 (B) / NMB-003 (B); CAN ICES-005 (B) / NMB-005 (B)

EU Declaration of Conformity

An EU Declaration of Conformity covering this product is available for download from the MAC Ultra Wash area of the Martin website at www.martin.com.

Conditional connection

For conformity with mains voltage fluctuations and flicker according to EN61000-3-11 during extensive use of continuous strobe effects the user must determine, in consultation with the mains power supply authority if necessary, that the equipment is connected to a supply impedance of less than 0.39 ohms at 50 Hz.

Hibernation Mode

'Hibernation mode' is intended as an option to reduce the consequences of having a product fully operational in dirty environments or in situations where noise level is crucial such as during live performances. The small reduction in energy consumption in Hibernation Mode is only a subordinate effect.

Intellectual Property Rights

Martin® MAC Ultra Wash products are covered by one or more of these patents:

CN101430080; CN102713425; CNZL200810128720.0; CNZL200810128776.6; CNZL200810144668.8; CNZL201080025103.3; CNZL201180014884.0; CNZL201380004370.6; CZ17567; EP2058586; EP2113714; EP2117284; EP2136136; EP2326150; EP2443381; EP2536974; EP2550686; EP2828577; EP2881650; US6971770; US7,703,948; US7,789,543; US7,905,630; US7,942,535; US7,990,673; US7222997; US7498756; US8,449,141; US8,708,535; US8,770,762; US9217551; US9217559;

and/or one or more of these patent applications:

CN104696882; CN104698579; CN104976548; CN105402641; CN201410740291.8; CN201410742572; DKPA201700088; EP17167067.2; EP2091302; EP2881651; EP2881652; EP2881653; EP2927579; EP2995852; US2015/0285483; US20150159827; US20150159828; US20150159830; US20160069540; US20160102850;

and/or one or more other intellectual property rights, including one or more intellectual property rights listed on www.martin.com/ipr



Disposing of this product

Martin products are supplied in compliance with Directive 2012/19/EC of the European Parliament and of the Council of the European Union on WEEE (Waste Electrical and Electronic Equipment), where applicable.

Help preserve the environment! Ensure that this product is recycled at the end of its life. Your supplier can give details of local arrangements for the disposal of Martin products.

The MAC Ultra Wash contains a lithium battery. Ensure that the battery is disposed of correctly and responsibly by an authorized recycling or waste disposal center at the end of its life. Where applicable, Martin participates in schemes whose aim is to ensure that local recycling and/or waste disposal centers accept batteries from Martin products.

