

MAC Viper™ Beam Kit Installation Guide

Safety information



Warning! Read the following information carefully before installing the lens and make sure that any person who uses, services, installs or transports the fixture and lens also has this information.



Warning! Follow all the safety precautions in the fixture's user documentation and use the documentation for reference when installing accessories and using the modified product. Safety and Installation guides are supplied with fixtures, but check that you have the latest revision of the user documentation. This is available for download from the fixture's Product Support page at www.martin.com

Warning! Accessories must be installed by qualified professional technicians only.

Warning! Disconnect the fixture from power and allow to cool for at least 30 minutes before starting work.

Warning! With the Beam Kit installed on a MAC Viper AirFX, do not illuminate surfaces within 4.2 m (13.8 ft.).

Warning! The MAC Viper AirFX Beam Kit increases the length of the fixture's head. There is a risk of head collision and a danger of falling objects if the instructions in this guide are not followed carefully. In particular:

- Before installing the Beam Kit, check that the fixture is running firmware version 1.3.0 or later and check that the head is perfectly vertical when tilt is set to 0°. If necessary, update the fixture's firmware and calibrate the head in the control menu as directed in the MAC Viper AirFX user documentation.
- Do not apply power to a fixture with a Beam Kit installed if the Beam Kit's connector is not plugged into its socket in the fixture's head.
- Remove any oversize XLR connectors such as 3-pin to 5-pin XLR adapters from the DMX sockets.
- Remove the Beam lens before opening the Tilt calibration menu in the control panel.

If you have any questions about how to install this or any Martin™ product or use it safely, please contact your local Martin Professional™ distributor (see www.martin.com/distributors for details) or call the Martin™ 24-hour service hotline on +45 8740 0000, or in the USA on 1-888-tech-180.

Important! Make sure that the front of the head does not face the sun or any other strong light source directly for longer than a few seconds at any time. Lenses can focus the sun's rays inside the fixture, causing internal damage and creating a possible fire risk

Important! Do not use concentrated alcohol solutions, abrasive products or solvents to clean lens accessories. If wiping with a soft, lint-free cloth dampened with distilled water is not effective, damp the cloth with distilled water containing 20% isopropyl alcohol in solution.

Introduction

This guide explains how to install the Martin MAC Viper™ Beam Kit, P/N 91614053, on a Martin MAC Viper AirFX™ fixture.

Installing a front lens accessory kit takes only a few minutes. If you keep the standard components that you remove when you install the lens, it can be uninstalled and the fixture returned to standard configuration at any time.

Preparation

The MAC Viper Beam Kit contains the following items:

- Beam lens
- Mounting collar with attached multiconnector and Beam Kit safety wire
- This Installation Guide

Remove any adhesive tape that is applied to the components in the kit to avoid loss or damage during transport.

Keep the protective packaging supplied with the kit for possible re-use.



Software compatibility and tilt limits

MAC Viper AirFX firmware version 1.3.0 or later must be installed **before** installing the Beam Kit. The latest version of the MAC Viper AirFX firmware is available for download from the MAC Viper AirFX Product Support page on the Martin™ website at www.martin.com

When firmware version 1.3.0 is installed and the Beam Kit's multiconnector is connected to its socket in the head, the MAC Viper AirFX recognizes that the Beam Kit is installed and limits tilt range by 10° at each end so that the head cannot collide with the base. Total tilt range with the Beam Kit installed is 254°.

Installation procedure



Warning! Disconnect from power and allow to cool for 30 minutes before handling the head.



To install the Beam Kit on a standard Martin MAC Viper AirFX fixture:

1. Check that firmware version 1.3.0 or later is installed in the fixture. If it is not, install it following the instructions in the MAC Viper AirFX user documentation.
2. Check that the head is perfectly vertical when tilt is set to 0°. If it is not, use the fixture's control panel to calibrate tilt following the instructions in the MAC Viper AirFX user documentation.
3. Disconnect the fixture from power and allow components to cool for 30 minutes.
4. Remove any 3-pin to 5-pin XLR adapters or other oversize connectors from the fixture's DMX sockets. With the Beam Kit installed, use only standard-size 5-pin XLR connectors such as those found on Martin™ DMX cable.
5. Place the fixture on a secure work surface. Tilt the head vertically upwards and apply the tilt lock.
6. See Figure 1. Remove the top head cover by loosening its Torx 25 captive retaining screws **A** until the screws turn freely (the top head cover is on top of the head with the text on the back of the head facing the right way up). Lift the front of the cover slightly away from the head, then slide the cover towards the front of the head to release the rear of the cover. You can allow the head cover to hang on its safety wire, but for easiest access press the cover's safety wire retaining clip **B** in towards the head chassis, slide the clip until you can remove it, then remove the head cover completely from the fixture.

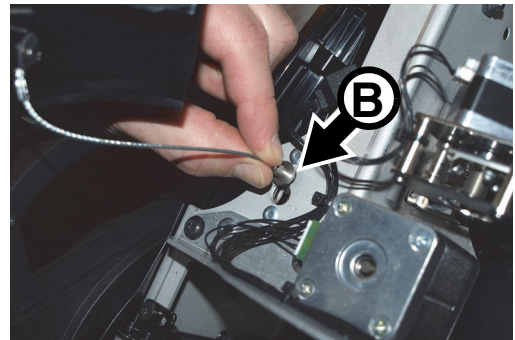
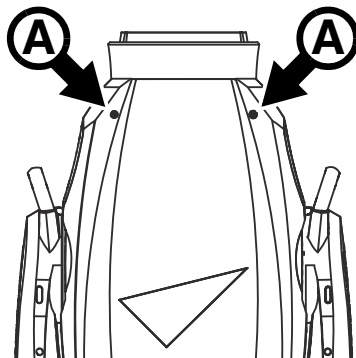


Figure 1

7. See Figure 2. Release the four screws from the front lens, then release the front lens safety attachment. Remove the front lens and store it for possible re-use if the fixture is returned to standard configuration at a later time.

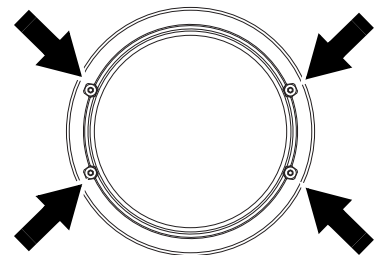


Figure 2

8. See Figure 3. Undo the two clips **A** from the Beam Kit assembly and separate the Beam lens unit **B** from the mounting collar **C**.

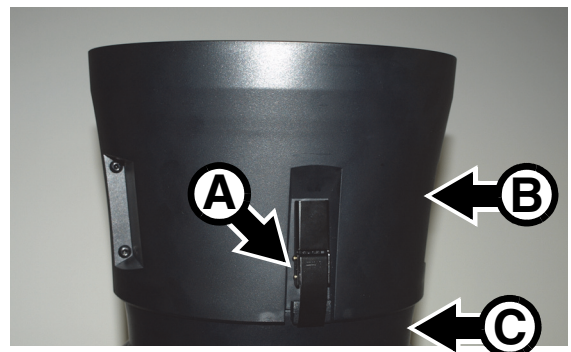


Figure 3

9. See Figure 4. Line up the Beam Kit mounting collar over the head so that the kit's safety wire will pass through the cutout **A** in the front of the head above the safety wire attachment point and the connector attachment wire will pass through the cutout **B** in the opposite side of the head, above the lens accessory socket **C**.
10. Lower the mounting collar onto the head, making sure that it sits completely square to the head. Do not use excessive force. You may need to rotate the collar slightly to the left and to the right until you can feel that it has engaged correctly. Check that the safety wire and the connector attachment wire are not trapped between the collar and the head.

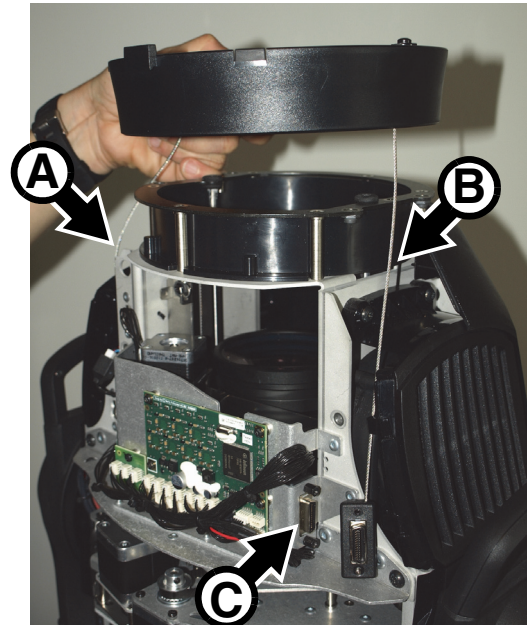


Figure 4

11. See Figure 5. Fasten the collar in place by tightening the four Torx 20 screws (arrowed) on the front of the collar.

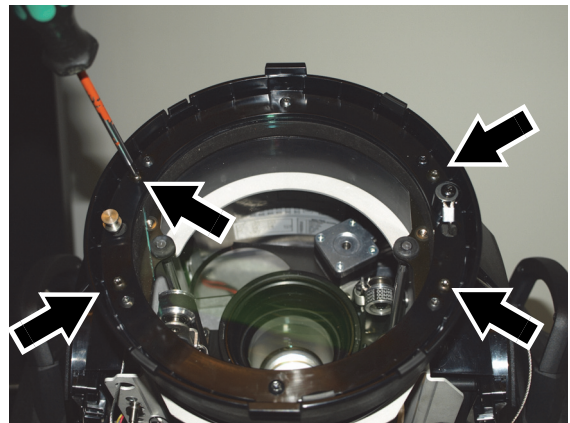
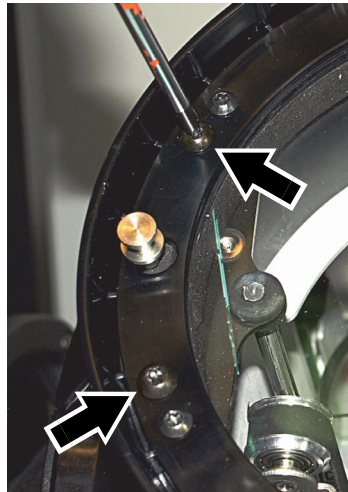


Figure 5

12. See Figure 6. Pass the Beam Kit's safety wire through the hole **A** in the head chassis and then into the safety wire attachment point **B**. Push and slide the fastener so that it is locked into the attachment point.

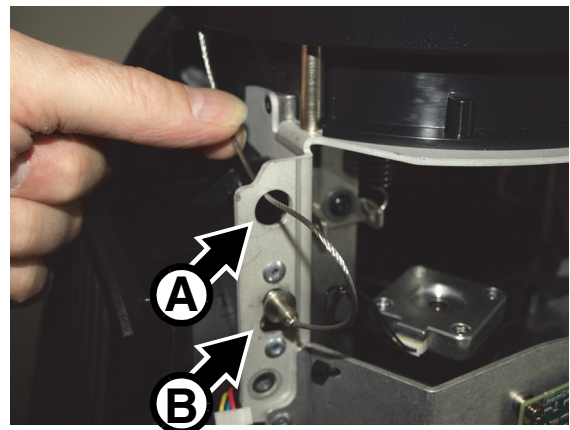


Figure 6

13. See Figure 7. Push the Beam Kit multiconnector (arrowed) onto the corresponding socket in the head and fasten it onto the socket with the two Torx 10 screws in the multiconnector.
14. Reinstall the top head cover (see Figure 1), checking that the Beam lens safety wire and connector attachment wire are not trapped under the cover during reassembly. Check also that the top head cover's safety wire is securely attached before tightening the head cover retaining screws.

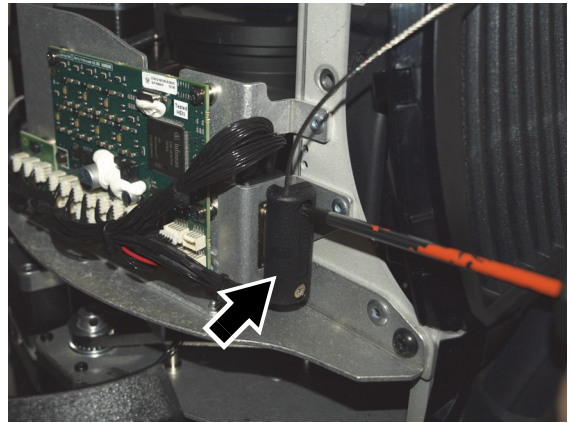


Figure 7

15. See Figure 8. Hold the Beam lens over the mounting collar. Lift up the end of the lens safety wire attachment **A** so that the wire can reach its attachment point **B** and push and slide it so that it is locked into the attachment point.

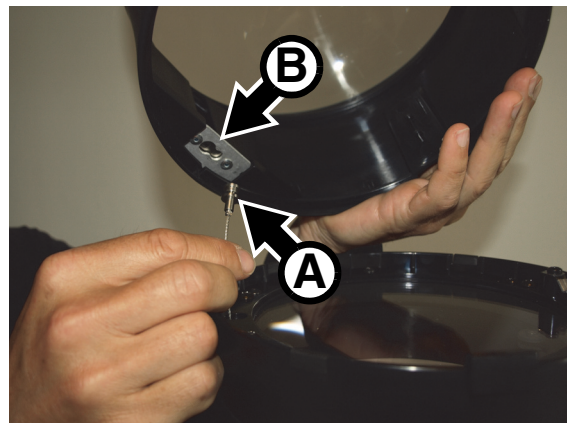


Figure 8

16. See Figure 9. Place the Beam lens onto the mounting collar so that its two clips line up with the latching points in the collar (arrowed) and fasten the clips.

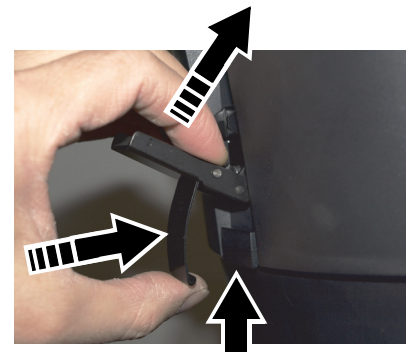
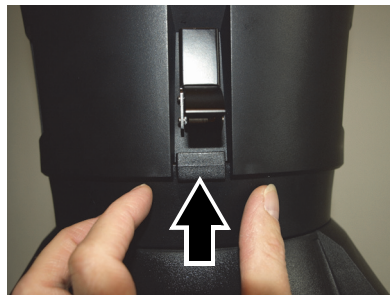


Figure 9

17. Release the tilt lock, then apply power. With MAC Viper AirFX firmware version 1.3.0 or later installed, the fixture will recognize that the Beam Kit is installed and limit the tilt range so that the Beam lens cannot collide with the base.

18. Check and if necessary adjust the lamp alignment as described in the MAC Viper AirFX user manual. Remove any significant hotspot in the beam.
19. Precautions are necessary in order to avoid personal injury or damage to the fixture or Beam Kit during use, service and transport in the flightcase. Read "Safety information" on page 1 and "Packing in the flightcase" on page 6.

When the Beam Kit is installed as described above and the fixture is powered on, the MAC Viper AirFX recognizes the Beam components automatically and configures itself for operation with the Beam lens. If you remove the Beam Kit and reinstall the standard components, the fixture will recognize that no Beam lens is present and reconfigure itself for operation without the Beam.

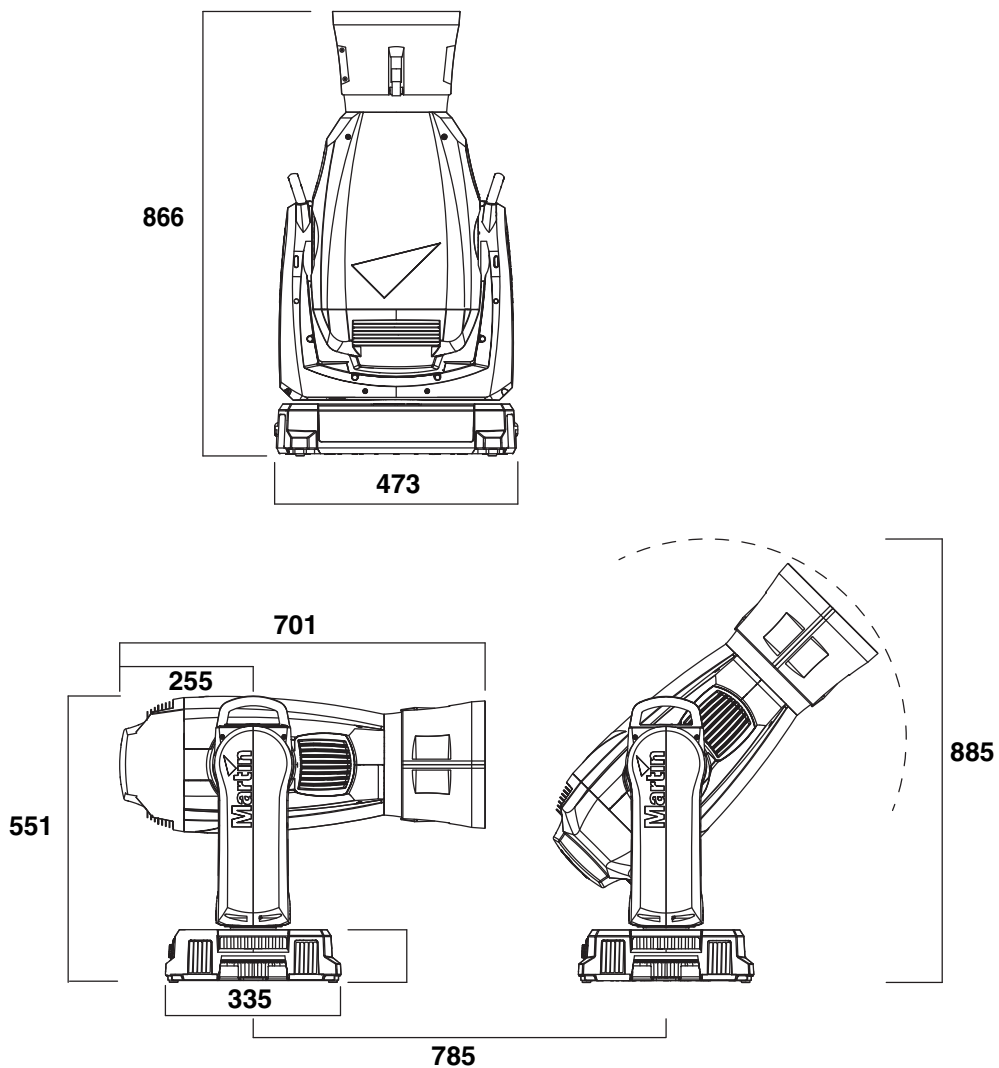
Packing in the flightcase

The Beam lens must be removed from the MAC Viper AirFX before the fixture is packed in the Martin™ MAC Viper flightcase for transport. To pack the fixture in the flightcase:

1. Unclip the Beam lens from its mounting collar with reference to Figure 9 on page 5. Leave the mounting collar installed on the fixture
2. Disconnect the Beam Kit safety wire from the Beam lens with reference to Figure 8 on page 5 and remove the Beam lens from the fixture.
3. Pack the fixture in the flight case without the Beam lens. Store the Beam lens separately.

Specifications

The MAC Viper AirFX™ with the MAC Viper Beam Kit installed weighs 37.6 kg (82.9 lbs.). It has the dimensions shown in millimeters below:



This minimum center-to-center distance can be reduced if pan limits are set via the control menus

For full specifications, see the Product Support page for the MAC Viper Beam™ on www.martin.com



Martin Professional A/S • Olof Palmes Allé 18 • 8200 Aarhus N • Denmark
Tel: +45 8740 0000 • Fax +45 8740 0010 • www.martin.com