

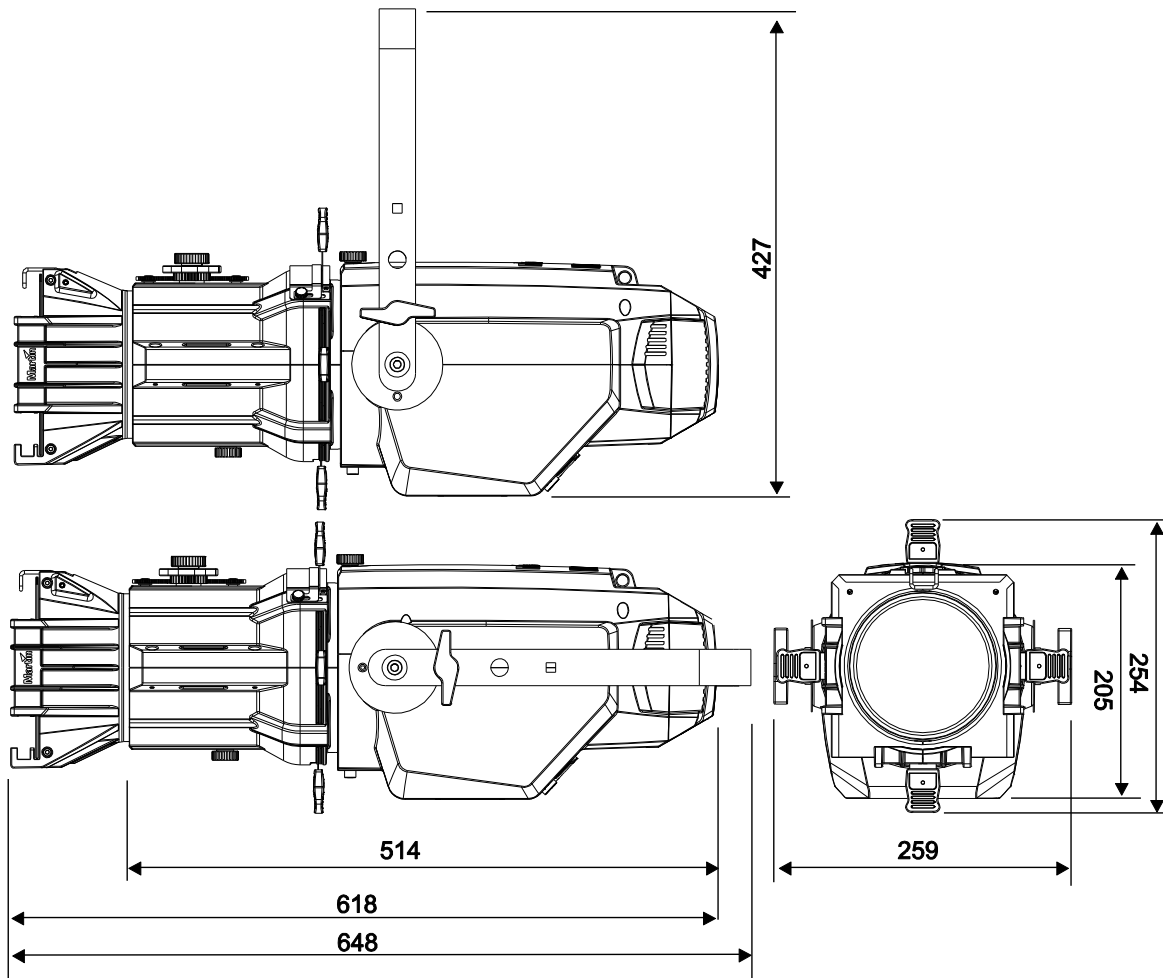
# ELP WW LED Profile

## User Manual



**Martin**<sup>®</sup>  
by HARMAN

# Dimensions



All dimensions are given in millimeters.

---

©2018-2023 HARMAN® PROFESSIONAL DENMARK ApS. Features, specifications and appearance are subject to change without notice. HARMAN Professional Denmark and all affiliated companies disclaim liability for any injury, damage, direct or indirect loss, consequential or economic loss or any other loss occasioned by the use of, inability to use or reliance on the information contained in this manual. Martin® is a registered trademark of HARMAN PROFESSIONAL DENMARK ApS registered in the United States of America and other countries.

HARMAN PROFESSIONAL DENMARK ApS, Olof Palmes Alle 44, 8200 Aarhus N, Denmark  
HARMAN PROFESSIONAL SOLUTIONS U.S., 8500 Balboa Blvd., Northridge CA 91329, USA

[www.martin.com](http://www.martin.com)

---

Martin ELP WW User Manual Revision F

---

# Table of contents

Dimensions.....	2
Safety information.....	4
Introduction.....	8
Before using the product for the first time .....	8
Fixture overview .....	9
Physical installation .....	10
Fixture location .....	10
Fastening the fixture to a flat surface .....	10
Mounting the fixture on a truss .....	11
Securing with safety cables .....	12
Changing the lens tube.....	13
AC power.....	14
Linking fixtures to power in a chain .....	14
Control data .....	15
Tips for reliable data transmission.....	15
Connecting the DMX data link.....	15
Fixture setup.....	16
Using the control menus.....	16
Control panel display .....	16
Fast focus mode .....	16
Setting the DMX address.....	16
Setting DMX personality .....	17
Other fixture settings .....	17
Setting options by RDM.....	20
Scanning for RDM devices on the data link .....	20
Getting status and setting options by RDM .....	20
RDM.....	20
Effects.....	22
Dimming.....	22
Strobe effects.....	22
Manual focus .....	22
Manual beam shaping shutters .....	22
Use of filters.....	22
Use of gobos and irises .....	22
Maintenance .....	24
Cleaning.....	24
Fuse replacement.....	24
Uploading new firmware .....	24
Service and repairs.....	25
Zoom lenses .....	25
DMX protocol.....	26
Control menus .....	27
Troubleshooting.....	30
Specifications .....	31

# Safety information



## WARNING!

Read the safety precautions in this manual before installing, operating or servicing this product.

The following symbols are used to identify important safety information on the product and in this manual:



**Warning!**

**Safety hazard.  
Risk of severe  
injury or death.**



**Warning!**

**Hazardous  
voltage. Risk  
of lethal or  
severe electric  
shock.**



**Warning!**

**Fire hazard.**



**Warning!**

**Burn hazard.  
Hot surface.  
Do not touch.**



**Warning!**

**Intense light  
emission.**



**Warning!**

**See user documentation.**



**Warning! Risk Group 1 product according to EN 62471 and IEC/TR 62778. Do not look directly into the beam. Do not view the light output with optical instruments or any device that may concentrate the beam.**

This lighting fixture is for professional use as a stage light only. It is not for household use. It presents risks of severe injury or death due to fire hazards, electric shock and falls. It can create a fire hazard or a risk of eye injury if the safety precautions below are not followed.

Respect all locally applicable laws, codes and regulations when installing, applying power to, operating or servicing the fixture.

Installation must be carried out by a qualified professional only. The safety and suitability of lifting equipment, installation location, anchoring method, mounting hardware and electrical installation are the responsibility of the installer.

The light source contained in this luminaire shall be replaced by the manufacturer or his service agent or a similar qualified person only.



Install, operate and service Martin products only as directed in their user manuals, or you may create a safety hazard or cause damage that is not covered by product warranties. Follow the safety precautions listed below and observe all warnings in this manual and printed on the product. Keep this user manual for future use.

For the latest user documentation and other information about this and all Martin products, please visit the Martin website at <http://www.martin.com>

### Technical Support

If you have questions about how to install, service or operate the fixture safely, please contact Harman Professional Technical support:

- For technical support in North America, please contact [HProTechSupportUSA@harman.com](mailto:HProTechSupportUSA@harman.com) / phone: (844) 776-4899
- For technical support outside North America, please contact your national distributor.



### Protection from electric shock

Do not expose the fixture to rain or moisture. Do not immerse the fixture in water or any other fluid. Do not install the fixture in a location where flooding may occur.

Ensure that the fixture is electrically connected to ground (earth).

Disconnect the fixture from AC power when not in use.

Do not open the fixture or remove any cover. Refer any service operation not described in this manual to an authorized Martin Service partner.

Shut down power to the entire installation at the main power distribution board and lock out power before carrying out any installation or maintenance work.

Use only a source of AC power that complies with local building and electrical codes and has both overload and ground-fault (earth-fault) protection.

The 0.75 mm<sup>2</sup> / 18 AWG mains power input cable supplied with the fixture is rated 6 A and can supply only one fixture with mains power. Do not connect any device to the fixture's MAINS OUT socket when using this input cable.

Before you can connect other devices to the fixture's MAINS OUT socket, you must use one of the 16 A rated power input cables available as optional accessories from Martin to connect the fixture to power at the MAINS IN socket.

Use one of the 16 A rated power relay cables available as optional accessories from Martin to relay power from the fixture's MAINS OUT socket to the MAINS IN socket of the next fixture. If you link fixtures to power in a chain in this way, do not exceed the following limits:

- Connect a maximum of four (4) ELP PROFILE fixtures in total to power in a chain at 100-120 V, or
- Connect a maximum of nine (9) ELP PROFILE fixtures in total to power in a chain at 200-240 V.

Before using the fixture, check that all power distribution equipment and cables are in perfect condition, are rated for the current requirements of all connected devices, and are of suitable type for the location (including water, pollution, temperature and UV resistance).

The voltage and AC frequency of the power at the MAINS OUT socket are the same as those applied at the MAINS IN socket.

The fixture's DMX transceiver is isolated/SELV to prevent ground loops and for safety reasons.

Isolate the fixture from power immediately if any seal, cover, cable, or other component is damaged, defective, deformed or showing signs of overheating. Do not reapply power until repairs have been completed.

Do not use the fixture at an altitude of more than 2000 m (6570 ft.) above sea level.



### Protection from burns and fire

Do not operate the fixture if the ambient temperature (Ta) exceeds 40° C (104° F).

The surface of the fixture can reach up to 55° C (131° F) if the fixture is operated at the maximum permitted ambient temperature. Allow the fixture to cool for at least 5 minutes before handling.

Install the fixture on a non-combustible surface (brick, concrete, plaster etc.) only.

Do not aim the fixture towards combustible materials (fabric, wood, paper etc.) that are within 50 cm (19 in.) of the fixture.

Keep the fixture well away from flammable materials (volatile liquids etc.).



Do not expose the front glass to sunlight or any other strong light source from any angle. Lenses can focus the sun's rays inside the fixture, creating a potential fire hazard.

Ensure that there is free and unobstructed airflow around the fixture.

Allow at least 0.2 m (8 in.) free space around the fixture.

Do not attempt to bypass thermostatic switches or fuses.

Do not modify the fixture in any way not described in this manual or install other than genuine Martin parts. Do not stick filters, masks or other materials onto any lens or other optical component. Use only accessories approved by Martin to modify the light beam.



#### **Protection from eye injury**

To minimize the risk of eye irritation or injury, disconnect the fixture from power at all times when the fixture is not in use, and provide well-lit conditions to reduce the pupil diameter of anyone working on or near the fixture.

The light from the LED emitters is possibly hazardous and may be harmful to the eyes. Do not stare directly into the product's light output.

Do not look at the light output with magnifiers, telescopes, binoculars or similar optical instruments that may concentrate the light output.

Ensure that persons are not looking directly into the fixture when the product lights up suddenly. This can happen when power is applied, when the product receives a DMX signal, or when certain control menu items are selected.



#### **Protection from injury**

Fasten the fixture securely to a fixed surface or structure as described in this manual when in use. Do not stand it on a surface where it may fall over or present a hazard.

The fixture is not portable when installed.

Ensure that all supporting structures, surfaces, fasteners and lifting equipment can bear the weight of all the devices they are intended to support plus an adequate safety margin, and that they conform to local building and safety regulations.

If the fixture is installed in a location where it may cause injury or damage if it falls, install as described in this manual a secondary attachment such as a safety cable that is approved by an official body such as TÜV as a safety attachment for the weight that it secures. The safety cable must comply with EN 60598-2-17 Section 17.6.6 or BGV C1 / DGUV 17 and must be capable of bearing a static suspended load at least six times (or more if required by locally applicable regulations) the weight that it secures.

Eliminate as much slack as possible in the safety cable (by looping it more than once around the rigging truss, for example). Make sure that, if the primary attachment fails, the fixture cannot fall more than 20 cm (8 inches) maximum before the safety cable catches it.

If a safety cable attachment point becomes deformed, do not suspend the fixture. Have the fixture repaired by an authorized Martin service partner.

If you fasten the mounting bracket directly to a surface, use fasteners that are strong enough and of a suitable type for the application and environment. Install a washer directly under the head of each fastener.

Ensure that any accessory such as a gel frame or gobo holder is securely fastened.

Block access below the work area and work from a stable platform whenever installing, setting, adjusting, or cleaning the fixture.

Do not operate the fixture with missing or damaged covers, shields or any optical component.

If an operating problem occurs, stop using the fixture immediately and disconnect it from power. Do not attempt to use a fixture that is obviously damaged.

# Introduction

The ELP WW from Martin® is an ellipsoidal/profile lighting fixture with a 260 W warm white LED engine that produces a sharp gobo projection with a flat field.

Four fixed beam angle lens tubes and two zoom lens tubes are available for the fixture. We recommend that you order the lens tube of your choice at the same time as ordering the fixture body.

The fixture provides a class-leading CRI of 97 at a color temperature of 3000 K with an output of 7000 lumens and has 16-bit dimming with 4 selectable curves. Its innovative features include a gear-based fine focus system which is still compatible with industry standard accessories. The fixture is ideal for theatre, gobo projection, art lighting, architectural lighting and key lighting applications.

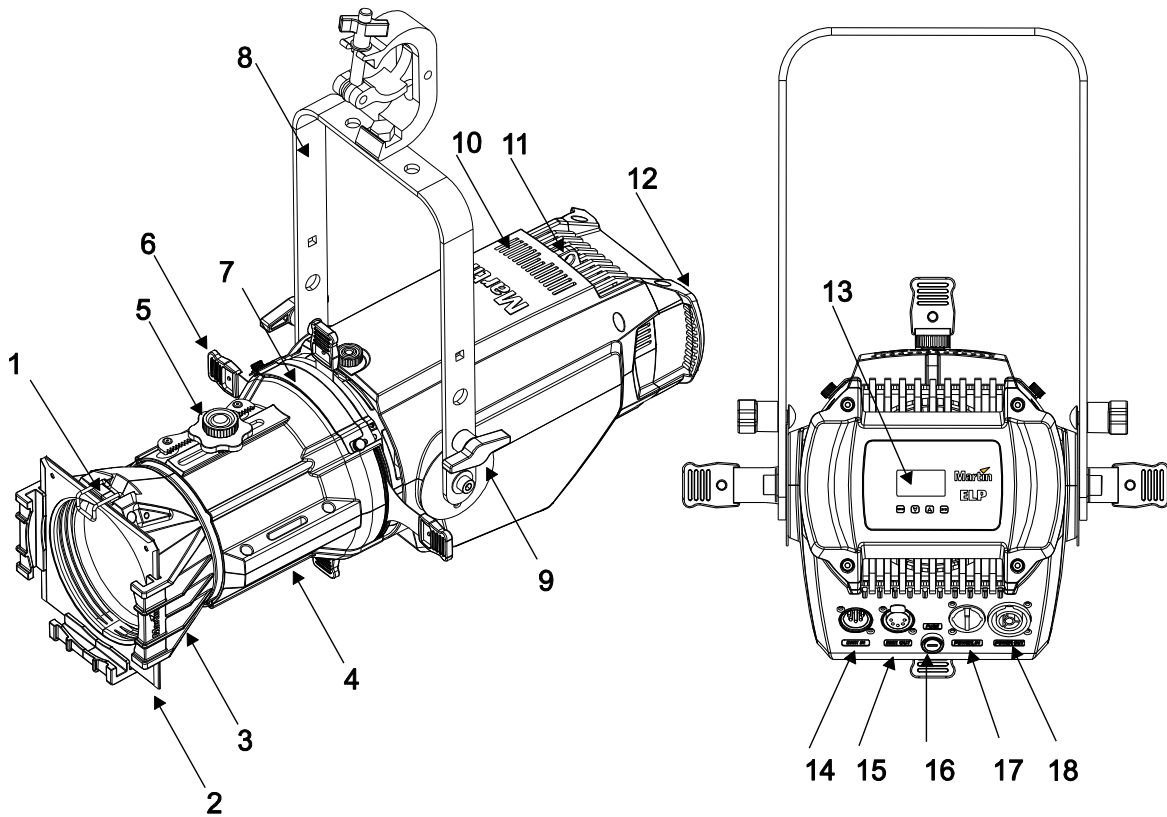
The ELP WW can be controlled using any DMX-compliant controller and can be remotely configured by RDM. It also features stand-alone operation with capacity for up to 20 scenes.

The fixture is supplied with this user manual, a 1.5 m (4.9 ft.) power cable ready for a local power plug (not included) and a yoke for attachment of suitable user-supplied rigging clamps.

## Before using the product for the first time

1. Read 'Safety information' on page 4 before installing, operating or servicing the fixture.
2. Unpack and ensure that there is no transportation damage before using the fixture. Do not attempt to operate a damaged fixture.
3. Before operating, ensure that the voltage and frequency of the power supply match the power requirements of the fixture.
4. If the fixture is not going to be hard-wired to a mains supply, install a local power plug (not supplied) on the end of the supplied power cable.
5. If fixtures are exposed to a sudden temperature change, give them time to warm or cool to the ambient temperature before applying power. This will help avoid damage due to condensation.
6. Check the support pages on the Martin website at [www.martin.com](http://www.martin.com) for the most recent user documentation and technical information about the fixture. Martin user manual revisions are identified by the revision letter at the bottom of the inside cover.

# Fixture overview



- |                                                                       |                                                  |
|-----------------------------------------------------------------------|--------------------------------------------------|
| 1 – Filter frame retaining clip                                       | 10 – Heatsink vent                               |
| 2 – Filter frame                                                      | 11 – Safety cable attachment point               |
| 3 – Interchangeable optical lens tube                                 | 12 – Rear handles for positioning                |
| 4 – Lens tube housing                                                 | 13 – Control panel                               |
| 5 – Upper lens tube locking thumbscrew<br>Fine focus adjustment wheel | 14 – DMX input (5-pin XLR)                       |
| 6 – Beam shaping shutter handles                                      | 15 – DMX output (5-pin XLR)                      |
| 7 – Gobo / accessory gate with sliding cover                          | 16 – Mains fuse                                  |
| 8 – Mounting bracket / yoke                                           | 17 – Mains power input (Neutrik powerCON TRUE1)  |
| 9 – Tilt locking knob                                                 | 18 – Mains power output (Neutrik powerCON TRUE1) |

# Physical installation



**Warning!** Read 'Safety information' on page 4 before installing the fixture.

All fasteners used must be M12, grade 8.8 steel minimum. Bolts must be fastened with self-locking nuts.

Before installing, check that the supporting structure can safely bear at least six times (or more if required by locally applicable regulations) the weight of all fixtures and equipment to be installed on it. Block access below the work area installing overhead.

Do not stand the fixture on a surface where it may fall over.

Contact your Martin supplier for assistance if you have any questions about how to install this product safely.

## Fixture location

The ELP Profile fixture is intended for interior use only. Do not install outside or in wet or humid locations. The fixture requires free and unobstructed airflow around it to ensure adequate cooling.

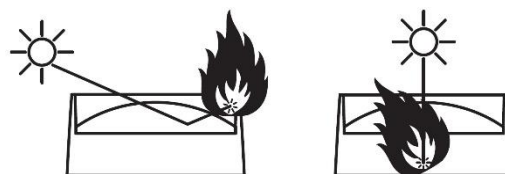
Observe the following limitations in selecting a location:

- Respect the precautions listed under 'Safety information' on page 4.
- Do not locate the fixture in an unventilated space.



**Warning!** See drawing on right.

Lenses can focus sunlight and strong light, presenting a risk of fire and damage to the fixture, creating a potential fire hazard and causing damage. Position or shade the head so that the front lens will not be exposed to sunlight or another strong light source from any angle – even for a few seconds.



**Important!** Do not point the output from other lighting fixtures at the fixture, as powerful light can damage the display.

## Fastening the fixture to a flat surface

The fixture can be installed on a fixed, flat surface by fastening its mounting yoke to the surface.



**Warning!** Older fixtures with mounting yokes that are 40 mm wide can be fastened to a horizontal surface either in a standing position with the yoke vertical or hanging vertically downwards from the surface only. Fixtures with mounting yokes that are 50 mm wide can be fastened to a surface in any orientation.

To fasten the fixture to a surface:

1. With the fixture aimed towards the object or area to be illuminated, pass two M12 fasteners through the mounting yoke and fasten them securely to the surface.
2. If there is a risk that the fixture or a lens assembly may cause injury or damage if they fall, secure them with safety cables as described in 'Securing with safety cables' on page 12.
3. Loosen the tilt locking knob, adjust tilt, then retighten the knob.

## Mounting the fixture on a truss

The fixture can be clamped to a horizontal or a vertical truss or pipe.



**Warning!** Older fixtures with mounting yokes that are 40 mm wide can be installed on a horizontal truss or pipe with the yoke hanging vertically downwards only. Fixtures with mounting yokes that are 50 mm wide can be installed:

- on a horizontal truss or pipe with the yoke hanging vertically downwards using one rigging clamp, or
- on a vertical truss or pipe with the yoke horizontal using two half-coupler type rigging clamps.

### ***Installation hanging vertically***

To install the fixture hanging vertically from a horizontal truss or pipe:

1. Bolt a rigging clamp securely to the fixture's mounting yoke, bearing in mind the need to aim the fixture at the object or area to be illuminated.
2. Working from a stable platform, fasten the clamp to the truss chord or pipe with the fixture hanging vertically downwards.
3. If there is a risk that the fixture or a lens assembly may cause injury or damage if they fall, secure them with safety cables as described in 'Securing with safety cables' on page 12.
4. Loosen the tilt locking knob, adjust tilt, then retighten the knob.

### ***Horizontal installation on a vertical truss***

To install the fixture horizontally on a vertical truss or pipe:

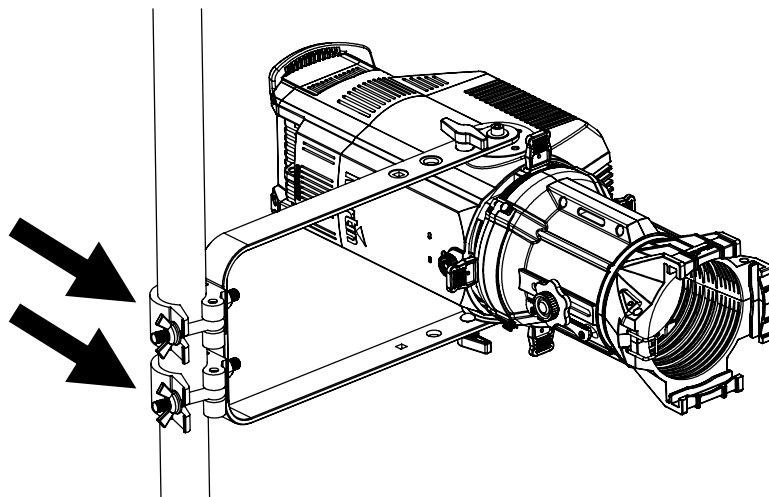
1. Bolt two rigging clamps securely to the mounting yoke. Both rigging clamps must be of the half-coupler type (see illustration on right) that completely encircle the truss chord or similar tube.
2. Working from a stable platform, fasten the rigging clamps to the truss as shown in the illustration below.
3. If there is a risk that the fixture or a lens assembly may cause injury or damage if they fall, secure them with safety cables as described in 'Securing with safety cables' on page 12.
4. Loosen the tilt locking knob, adjust tilt, then retighten the knob.



*Half-coupler rigging clamp*

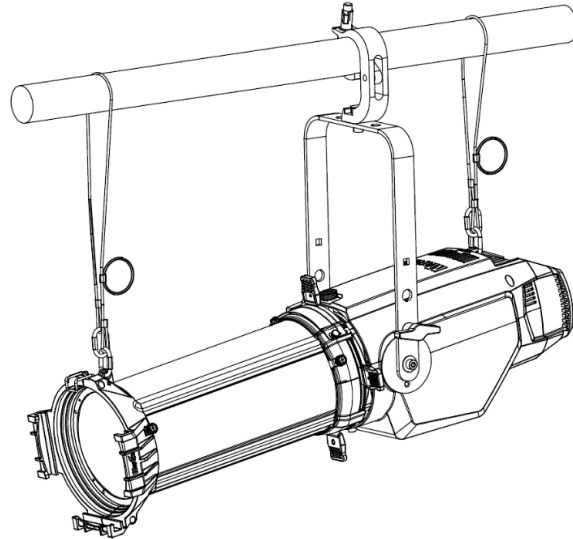


**Warning!** When installing the fixture on a vertical truss chord or pipe, install two half-coupler type rigging clamps (arrowed) on the yoke and fasten both clamps around the truss chord or pipe.



## Securing with safety cables

If there is a risk that the fixture and/or a lens assembly may fall and cause injury or damage, install two safety cables (or similar secondary attachments) that are approved for the weight that they will secure and in perfect condition.



Fasten one safety cable to the attachment point at the rear of the fixture and one safety cable to the attachment point at the front of the lens tube (see illustration above) and loop the safety cables around a secure anchoring point.

Remove as much slack as possible from safety cables (by looping them more than once around the truss chord, for example). Make sure that the safety cables will hold the fixture and/or lens assembly safely if the primary attachment fails.

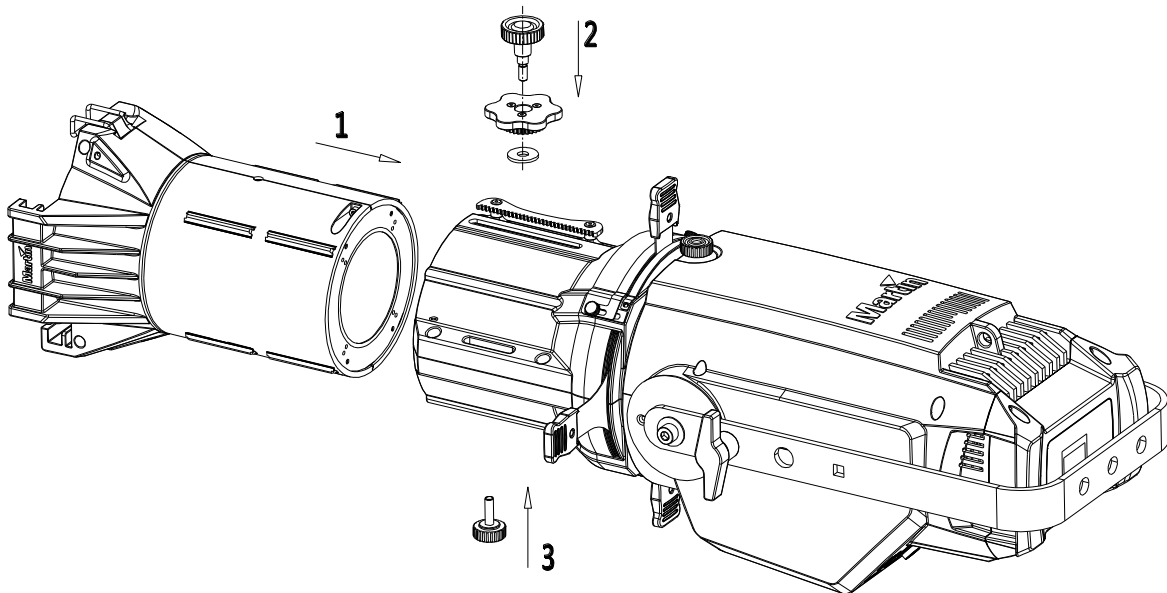
If a safety cable attachment point becomes damaged or deformed, do not use the fixture. Return it to a Martin Service Centre for repair.

## Changing the lens tube

Four different lens tubes with fixed beam angles of 19°, 26°, 36° or 50° are available for the fixture. Two zoom lens tubes with either 15°-30° or 25°-50° zoom ranges are also available. All lens tubes are available in black or white finish. See 'Ordering Information' on page 33 for ordering details.

To change the lens tube, refer to the diagram below:

1. Hold the front of the lens assembly with one hand so that it cannot fall out.
2. Remove the thumbscrews (2) and (3) from the top and bottom of the lens tube. The top screw also has the focusing wheel attached.
3. Slide the lens tube forward out of the fixture.
4. Slide in the new lens tube (1).
5. Begin to thread the thumbscrews (2) and (3) into their holes. For the top screw (2), ensure that the focusing wheel sits on the screw with the gear teeth facing downwards, towards the fixture. Rotate the focusing wheel until the gear teeth mesh with the toothed rack on the lens tube housing.
6. Tighten the thumbscrews (2) and (3).



## AC power



**Warning!** Read 'Safety information' on page 4 before installing the fixture.



**Warning!** The 18 AWG / 0.75 mm<sup>2</sup> mains power input cable supplied with the fixture is rated 6 A and can supply only one fixture with mains power. Do not connect any device to the fixture's MAINS OUT socket when using this input cable. If you want to connect other fixtures to the MAINS OUT socket, see 'Linking fixtures to power in a chain' below.

For protection from electric shock, the fixture must be grounded (earthed). The power distribution circuit must be equipped with a fuse or circuit breaker and ground-fault (earth-fault) protection.

**Important!** Do not use an external dimming system to supply power to the fixture, as this may cause damage to the fixture that is not covered by the product warranty.

The fixture has an auto-ranging power supply that accepts AC mains power at 100-240 V at 50/60 Hz. Do not apply AC mains power at any other voltage or frequency to the fixture.

The fixture can be hard-wired to a building electrical installation if you want to install it permanently, or a power plug (not supplied) that is suitable for the local power outlets can be installed on the power cable. Socket outlets or external power switches used to supply the fixture with power must be located near the fixture and easily accessible so that the fixture can easily be disconnected from power.

If you install a power plug on the supplied power cable, install a grounding type (earthed) plug with integral cable grip that is suitable for your local mains voltage and is rated minimum 6 A. Follow the plug manufacturer's instructions and connect the wires in the power cable as shown in this table:

	Live or L	Neutral or N	Earth, Ground or ⊕
<b>US system</b>	Black	White	Green
<b>EU system</b>	Brown	Blue	Yellow/green

### Linking fixtures to power in a chain

The mains power input cable supplied with the fixture is rated 6 A and can safely supply power to one fixture only.

If you want to use the MAINS OUT socket on the fixture to link power to another fixture in a daisy-chain, you must first replace the supplied power input cable with one of the 16 amp rated 12 AWG / 2.5 mm<sup>2</sup> power input cables available as optional accessories from Martin (see 'Accessories' on page 32). If you install a power plug on a 12 AWG / 2.5 mm<sup>2</sup> power input cable, install a grounding type (earthed) plug with integral cable grip that is rated minimum 16 A, 250 V.

To link fixtures to power in a daisy-chain, use the 16 amp rated 12 AWG / 2.5 mm<sup>2</sup> power relay cables available from Martin (see 'Accessories' on page 32) to link fixtures' MAINS OUT sockets to MAINS IN sockets. Using the 16 amp rated cables available as accessories from Martin, you can link:

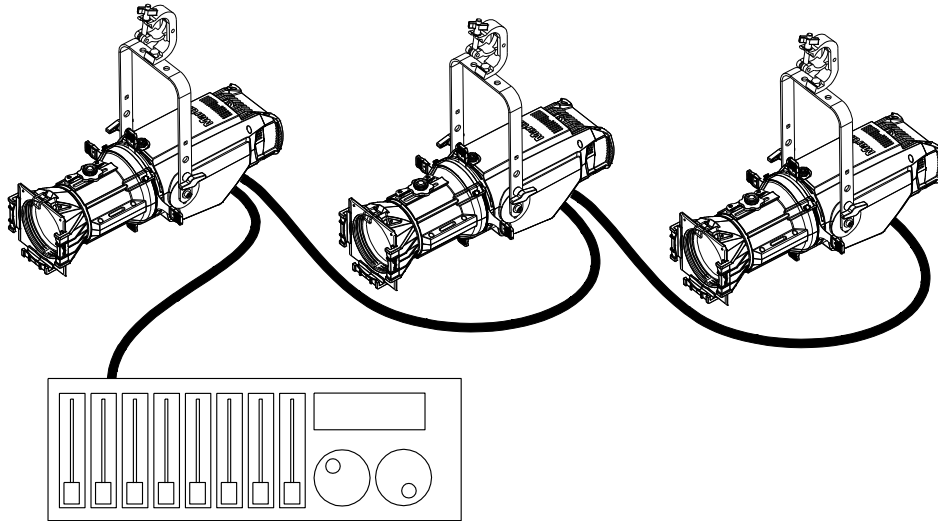
- Maximum four (4) ELP PROFILE fixtures in total at 100-120 V, or
- Maximum nine (9) ELP PROFILE fixtures in total at 200-240 V.

Do not exceed these limits.

If you create custom power relay cables, use only the Neutrik PowerCON TRUE1 connectors listed under 'Accessories' on page 32.

# Control data

A DMX 512 data link is required in order to control the fixture via DMX. The fixture has 5-pin XLR connectors for DMX data input and output.



Up to 32 devices can be linked together on a single daisy chain. The total number of fixtures in one 512-channel DMX universe is limited by the number of DMX channels required by the fixtures. Note that if independent control of a fixture is required, it must have its own DMX channels. Fixtures that are required to behave identically can share the same DMX address and channels. To add more fixtures or groups of fixtures when the above limits are reached, add another DMX universe or split the daisy-chained link into branches using a powered DMX splitter.

## Tips for reliable data transmission

Use shielded twisted-pair cable designed for RS-485 devices: standard microphone cable cannot transmit control data reliably over long runs. 24 AWG cable is suitable for runs up to 300 meters (1000 ft.). Heavier gauge cable and/or a DMX buffer is recommended for longer runs. The pin-out on all connectors is:

- pin 1 = shield
- pin 2 = cold (-)
- pin 3 = hot (+).

Pins 4 and 5 in the XLR connectors are not used in the fixture but are passed through for possible additional data signals as required by the DMX512-A standard. Standard pin-out is pin 4 = data 2 cold (-) and pin 5 = data 2 hot (+).

To split the link into branches, use an RDM-compatible opto-isolated DMX splitter. Terminate the link by installing a termination plug in the output socket of the last fixture. The termination plug, which is a male XLR plug with a 120 Ohm, 0.25 W resistor soldered between pins 2 and 3, “soaks up” the control signal so it does not reflect and cause interference. If a splitter is used, terminate each branch of the link.

## Connecting the DMX data link

To connect the fixture to data:

- Connect the DMX data output from the controller to the closest fixture’s male XLR DMX input connector.
- Connect the first fixture’s DMX output to the DMX input of the next fixture and continue connecting fixtures output to input. Terminate the last fixture on the link with a DMX termination plug.

## Fixture setup

This section explains the fixture characteristics you can set that determine how it can be controlled and will behave. You choose the settings using the menus available from the control panel, and they are retained even when the fixture is powered off.

Options can also be set over the DMX link using RDM from a suitable controller, see “Setting options by RDM” on page 20.

Only the main functions are described in this section. You can see a complete map of the control menu structure and brief explanations of their purposes in “Control menus” on page 27.

### Using the control menus

See photo on right. Use the fixture’s control panel as follows:

- To access the control menus, press the MENU button.
- Navigate the menu structure using the ENTER, DOWN ▼ and UP ▲ buttons.
- To select a menu option or to confirm a selection, press the ENTER button.
- To return to a higher level in the menu structure without making a change, press the MENU button.
- To exit the control menus completely, press and hold the MENU button.



### Control panel display

See photo on right. When you power the fixture on it resets and then shows the following data in the control panel display:

- Name of product
- Temperature of LED module
- DMX address currently used
- DMX Channels currently occupied

The display flashes when the fixture is not receiving a valid DMX signal.

### Fast focus mode

If you need to focus the fixture but there is nobody to operate the lighting console, you can quickly turn the fixture on in “Fast Focus mode” using the control panel. Hold down the ENTER button for 5 seconds and the fixture will come on at full brightness for 60 seconds, allowing you to set the focus. After 60 seconds the fixture will return to normal operation.

### Setting the DMX address

Each fixture must be assigned a DMX address. The DMX address, also known as the start channel, is the first channel used to receive instructions from a DMX controller. The fixture is controlled using between 1 and 4 DMX channels depending on the personality set. If a fixture using 4 channels has a DMX address of 1, then it uses channels 1 to 4 inclusive. The following fixture in the DMX chain can then be set to a DMX address of 5.

For independent control, each fixture must be assigned its own control channels. Two fixtures of the same type may share the same address if identical behavior is desired. Address sharing can be useful for diagnostic purposes and symmetric control.

To set the fixture's DMX address:

1. Enter the control menu and select DMX SETUP. Press ENTER.
2. Select DMX ADDRESS and press ENTER.
3. Use the UP and DOWN buttons to select the desired address setting.
4. Press ENTER to confirm your selection (or to return to the top-level menu without changing the settings, press the MENU button).

### Setting DMX personality

DMX personality sets how many control channels are used. There are 3 personalities to choose from:

- 1 channel – Dimmer only
- 2 channel – 8-bit dimmer with adjustment of dimmer fade times
- 4 channel – 16-bit dimmer with shutter and adjustment of dimmer fade times (4-channel is the default mode)

The commands available on each channel are described in the section "DMX protocol" on page 26.

To set the DMX personality:

1. Enter the control menu and select DMX SETUP. Press ENTER.
2. Select DMX MODE and press ENTER.
3. Use the UP and DOWN buttons to select 1, 2 or 4.
4. Press ENTER to confirm your selection (or to return to the top level menu without changing the settings, press the MENU button).

### Other fixture settings

The PERSONALITY menu allows you to set other options for the fixture.

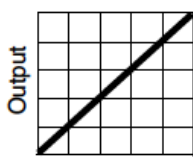
#### Stand-alone mode

The fixture can operate in stand-alone mode allowing control of multiple fixtures from a single master fixture if no DMX console is connected. The options are OFF (default), MASTER and SLAVE. Stand-alone operation will be automatically overridden by incoming DMX signal.

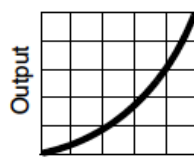
#### Dimming curves

Four dimming modes are available:

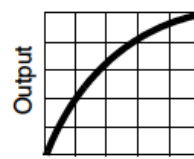
- |            |                                                                                                 |
|------------|-------------------------------------------------------------------------------------------------|
| LINEAR     | The increase in light intensity appears to be linear as DMX value is increased.                 |
| SQUARE LAW | light intensity control is finer at low levels and coarser at high levels.                      |
| INV SQ LAW | (Inverse square law) light intensity control is coarser at low levels and finer at high levels. |
| S-CURVE    | light intensity control is finer at low levels and high levels and coarser at medium levels.    |



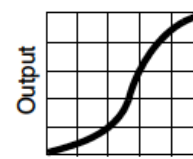
Optically linear



Square law



Inverse square law



S-curve

To set the fixture's dimmer curve, select DIMMER CURVE from the PERSONALITY menu and press ENTER to confirm. Use the UP and DOWN buttons to select the desired mode. Press ENTER to save your selection.

### **PWM Frequency**

Sets the frequency of the PWM dimming used on the fixture. It can sometimes be necessary to change this if flickering is seen on TV cameras running at a high shutter speed.

From firmware v.1.2, the PWM frequency settings available range from 600 Hz to 2400 Hz. The default frequency is 1200 Hz.

### **No Data Mode**

This option sets what will happen when no DMX data is present.

To set No Data Mode, select NO DATA MODE from the PERSONALITY menu and press ENTER to confirm. Use the UP and DOWN buttons to select:

- BLACKOUT – If data connection is lost, fixture blacks out.
- HOLD – If data connection is lost, fixture obeys the last DMX commands received on all channels (default).

Press ENTER to confirm.

### **Cooling Mode**

This option sets whether cooling fan speed is regulated depending on fixture temperature or whether the cooling fans run at a constant speed.

To set cooling mode, select COOLING MODE from the PERSONALITY menu and press ENTER to confirm. Use the UP and DOWN buttons to select:

- REGULATED FANS – Fan speed is controlled by fixture temperature. Fans only run at the speed necessary to keep the fixture within its normal operating temperature range. Light output is not reduced unless full fan speed is not enough to keep the fixture within its safe operating temperature range.
- FULL – Fans are set to constant full speed. Light output is not reduced unless full fan speed is not enough to keep the fixture within its safe operating temperature range.
- LOW – Fans are set to constant low speed. The maximum light output available is reduced by approx. 15% and fan noise is significantly reduced.

Press ENTER to confirm.

### **Display**

This option allows you to set some parameters for the display screen.

Select DISPLAY from the PERSONALITY menu and press ENTER to confirm.

Use the UP and DOWN buttons to select:

- DISPLAY SLEEP – Use the UP and DOWN buttons to select display sleep time, settings are ON (Display permanently on), 2 MINUTES, 5 MINUTES or 10 MINUTES
- DISPLAY ROTATION – Use the UP and DOWN buttons to select Normal (Display orientation normal) or ROTATE 180 (Display orientation rotated 180°)
- DISPLAY INTENSITY – Use the UP and DOWN buttons to adjust display intensity from 10%-100% (default = 100%)
- TEMPERATURE UNIT – Use the UP and DOWN buttons to select °C or °F

Press ENTER to confirm.

### **Set all settings to factory default**

To return all settings to factory default, select DEFAULT SETTINGS and press ENTER to confirm, FACTORY DEFAULT will show on the display. Press ENTER again.

Use the UP and DOWN buttons to select NO (cancel) or YES (return all settings except calibrations to factory defaults).

Press ENTER to confirm (or press MENU to exit without making a change).

### ***Fixture Test***

This menu allows you to run self-test sequences on the fixture's LED emitters. A sequence of LED test, dimmer test, strobe test will be run.

### ***Fixture information***

The INFORMATION menu allows you to view various fixture information: Power on time, LED hours, Software version, Fixture ID, RDM unique ID, Fan speeds, temperatures.

### ***Viewing live DMX values***

This menu allows you to view the current DMX values for any function.

Select the DMX LIVE menu and press ENTER.

Use the UP and DOWN buttons to select the function you wish to view.

### ***Setting control values manually***

You can manually set control values. This may be useful when testing, or to use the fixture in a static setting without a DMX controller.

This menu also allows you to reset the fixture.

### ***Reset***

To reset the fixture, go to the MANUAL CONTROL menu and press ENTER. Use the UP and DOWN buttons to select RESET and press ENTER again.

Then use UP and DOWN to select YES, and press ENTER to activate.

### ***Setting values***

Go to the MANUAL CONTROL menu and press ENTER. Use the UP and DOWN buttons to select the function you wish to control.

Once you have selected a function, press ENTER, then use the UP and DOWN buttons to select a value from 0 to 255.

Press MENU to go back up and select a different function to control.

### ***Calibration***

From the SERVICE menu you can select CALIBRATION. This menu allows you to adjust the overall brightness of the fixture to match with other fixtures. The fixture is calibrated in the factory but over time the brightness of the LED emitters will gradually decrease, so this function can be useful if you need to match a new fixture with older ones.

- DIMMER sets the overall maximum brightness of the fixture.
- WHITE (available from firmware v. 1.2) gives fine adjustment of the fixture's color temperature.
- LOAD DEF will load the factory-set calibration values. If you have replaced the factory-set values with custom values using SAVE SET (see below) it will load the custom values.
- SAVE SET replaces the factory-set DIMMER and WHITE values with any custom values that have currently been set.

You must enter a password (019 by default) before you can access the SAVE SET menu item.

**Important!** The SAVE SET command permanently overwrites the factory-set calibration values. It is not possible to restore the factory-set values by powering the fixture off and on, resetting the fixture or uploading new firmware. Once you have saved custom calibration values using SAVE SET, the only way to return to the original factory-set values is to re-adjust the DIMMER and WHITE calibration settings back to their original values.

# Setting options by RDM

You can remotely configure the fixture over the DMX line using a suitable RDM-compatible controller that is connected to the installation via a DMX data link.

A full list of the RDM functions that the ELP fixture supports is given at the end of this chapter. These functions are generally referred to using the more specific term 'PIDs' or 'Parameter IDs'.

## Scanning for RDM devices on the data link

Before you can communicate with fixtures using RDM, you must send a scan command (also called a device discovery command) to all the devices on the data link so that the RDM controller can identify them. It does this by retrieving each device's factory-set unique identifier (UID). This process can take some time depending on the number of devices on the link.

## Getting status and setting options by RDM

The status and options listed in the table below can be read and set by RDM.

You can set an option on one fixture by sending a unicast RDM command to that one fixture only, or you can set the same option on all the fixtures on the data link by sending a broadcast RDM command to all the devices on the link.

For status reading, you can only use unicast RDM to read information from an individual fixture.

## RDM

As a minimum, the ELP WW supports the following RDM functions:

### *Device discovery*

DISC_UNIQUE_BRANCH
DISC_MUTE
DISC_UN_MUTE

### *Device management*

	GET	SET
QUEUED_MESSAGE	✓	
STATUS_MESSAGES	✓	
STATUS_ID_DESCRIPTION	✓	
SUPPORTED_PARAMETERS	✓	
DEVICE_INFO	✓	
DEVICE_MODEL_DESCRIPTION	✓	
MANUFACTURER_LABEL	✓	
DEVICE_LABEL	✓	✓
SOFTWARE_VERSION_LABEL	✓	
BOOT_SOFTWARE_VERSION_ID	✓	
BOOT_SOFTWARE_VERSION_LABEL	✓	
DMX_PERSONALITY	✓	✓

DMX_START_ADDRESS	✓	✓
DEVICE_HOURS	✓	✓
IDENTIFY_DEVICE	✓	✓
LAST_STATE		✓
DIMMER_CURVE		✓

# Effects

This section describes the effects provided by the ELP WW. See 'DMX protocol' on page 26 for a full list of the DMX channels and values required to control the different effects.

## Dimming

Overall intensity can be precisely adjusted from 0 to 100% using 16-bit coarse and fine control.

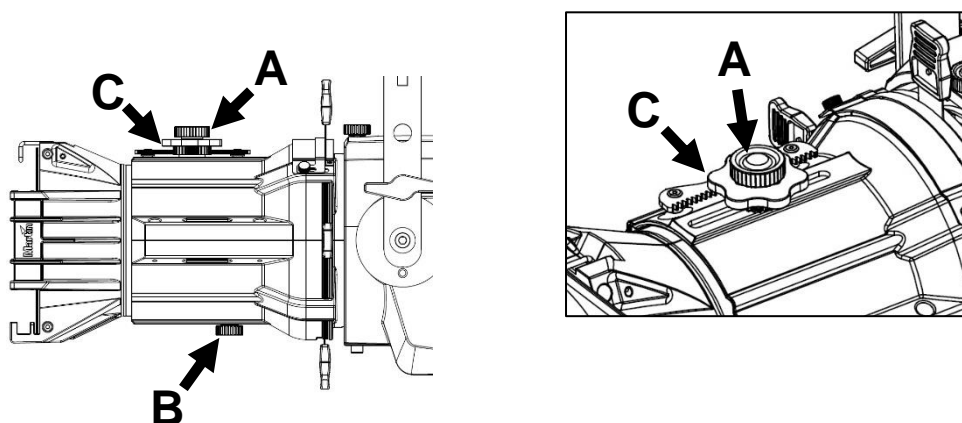
In 1Ch or 2Ch mode only 8-bit intensity control is available. In 1Ch mode, 8-bit intensity control is the only control option.

## Strobe effects

An electronic shutter provides instant open and blackout, random and variable speed flash from 1 to 12 flashes per second, and pulse effects.

## Manual focus

The ELP WW has a unique "Fine Focus" system which allows you to easily make small focus adjustments using a gear-based wheel on top of the lens tube. To focus the fixture, see drawings below. Loosen the thumbscrews **A** and **B** on the top and bottom of the lens tube slightly, then turn the focus wheel **C** to slide the lens in or out of the tube. Tighten the thumbscrews **A** and **B** again to hold the focus setting.



## Manual beam shaping shutters

The fixture has 4 manually operated beam shaping shutters.

To change the shape of the beam, power the fixture on and aim the beam at the target. Use the four shutter blade handles (see **6** in 'Fixture overview' on page 9) to adjust the position of the shutter blades and obtain the desired beam shape.

## Use of filters

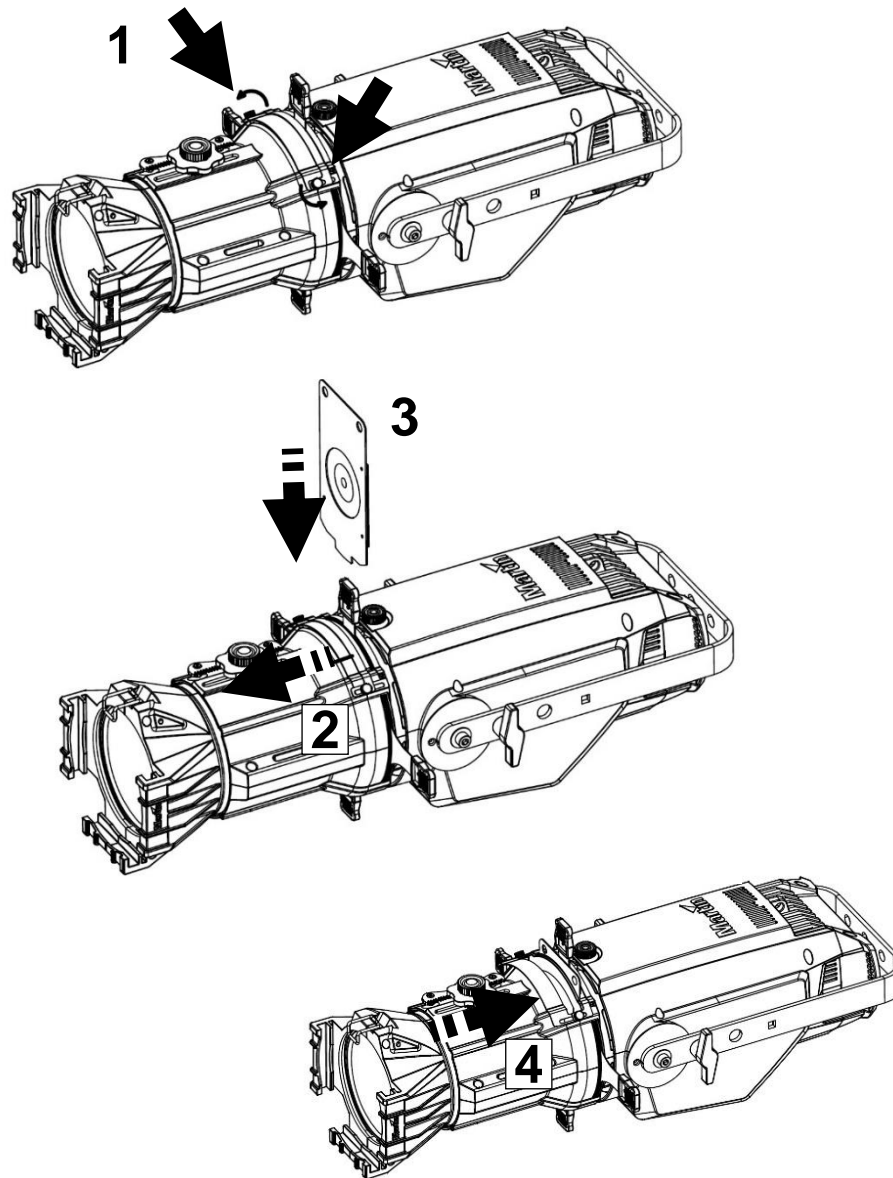
The color filter frame that is supplied with the lens tube lets you add color correction or diffusion filters to the front of the fixture. Push the filter retaining clip (see **1** in 'Fixture overview' on page 9) to one side to insert and remove filters. Click the retaining clip back into place after inserting a filter and check that the clip is secure to prevent the color filter frame from falling out.

## Use of gobos and irises

The fixture will accept an A-size or B-size goboholder or an iris (items not included) in the gobo/accessory gate. There is a sliding cover over the gate to prevent light spill and retain the goboholder in the fixture. To install a goboholder or iris:

1. Allow the fixture to cool. See drawing below. Loosen, but do not remove, the two thumbscrews (arrowed) at the sides of the cover.

2. Slide the cover towards the front of the fixture.
3. Slide the goboholder into the accessory gate in the fixture.
4. Slide the cover back so that it holds the goboholder in place and tighten the thumbscrews.



# Maintenance



**Warning!** Read 'Safety information' on page 4 before servicing the fixture.

Refer any service operation not described in this user manual to a qualified service technician.

Excessive dust, smoke fluid, and particle buildup degrades performance, causes overheating and will damage the fixture. Damage caused by inadequate cleaning or maintenance is not covered by the product warranty.

Disconnect mains power before cleaning or servicing the fixture.

Fixtures must be serviced in an area where there is no risk of anyone being injured by failing parts, tools or other materials.

## Cleaning

The cleaning of external optical lenses must be carried out periodically to optimize light output. Cleaning schedules for lighting fixtures vary greatly depending on the operating environment. It is therefore impossible to specify precise cleaning intervals for the fixture. Environmental factors that may result in a need for frequent cleaning include:

- Use of smoke or fog machines.
- High airflow rates (near air conditioning vents, for example).
- Presence of cigarette smoke.
- Airborne dust (from stage effects, building structures and fittings or the natural environment at outdoor events, for example).

If one or more of these factors is present, inspect fixtures within their first 100 hours of operation to see whether cleaning is necessary. Check again at frequent intervals. This procedure will allow you to assess cleaning requirements in your particular situation. If in doubt, consult your Martin dealer about a suitable maintenance schedule.

Use gentle pressure only when cleaning, and work in a clean, well-lit area. Do not use any product that contains solvents or abrasives, as these can cause surface damage.

To clean the fixture:

1. Disconnect the fixture from power and allow it to cool for at least 10 minutes.
2. Vacuum or gently blow away dust and loose particles from the outside of the fixture and the air vents at the back and sides of the head and in the base with low-pressure compressed air.
3. Clean the lens by wiping gently with a soft, clean lint-free cloth moistened with a weak detergent solution. Do not rub the surface hard: lift particles off with a soft repeated press. Dry with a soft, clean, lint-free cloth or low-pressure compressed air. Remove stuck particles with an unscented tissue or cotton swab moistened with glass cleaner or distilled water. You can remove the lens tube to clean the rear side of the lens if needed.
4. Check that the fixture is dry before reapplying power.

## Fuse replacement

If you need to replace a fuse:

1. Disconnect the fixture from power and allow it to cool for at least 10 minutes.
2. Unscrew the cap of the fuseholder (see Fixture overview on page 9) and remove the fuse. Replace with a fuse of the same size and rating only.
3. Reinstall the fuseholder cap before reapplying power.

## Uploading new firmware

Martin releases new firmware (fixture software) from time to time if it can improve functionality of Martin fixtures. All firmware versions are available from the Martin website. You can install firmware using a Windows PC running the Martin Companion software suite with a Martin

Companion Cable USB/DMX hardware interface connected to the DMX link or directly to the fixture's DMX IN connector.

You can check the currently installed firmware version in the INFORMATION menu in the fixture's control panel.

If you update firmware to a newer version, check the ELP area of [www.martin.com](http://www.martin.com) to see whether an updated version of this User Manual is available for the new firmware.

### ***Installing using a PC running Martin Companion***

**Important!** Do not switch the fixture off or disconnect the source of the firmware during an upload, or the firmware will be corrupted.

The following are required in order to install firmware using a PC:

- A Windows PC running the latest version of the Martin Companion software suite (available for download from the Martin website at [www.martin.com](http://www.martin.com)).
- The latest ELP WW firmware file. Martin Companion automatically downloads this file from the Martin fixture firmware cloud when Martin Companion is launched on a PC that is connected to the Internet.
- A Martin Companion Cable USB-DMX hardware interface, available from your Martin supplier by ordering P/N 91616091.

To install the ELP WW firmware using Martin Companion:

1. Apply power to the fixture(s) and allow to boot. Connect the Martin Companion Cable hardware interface to your PC and to the fixture's DMX IN connector or to the DMX link. All ELP fixtures that are powered on and connected to the DMX link will have their firmware updated.
2. Start the PC and launch the Martin Companion application.
3. Locate the latest ELP firmware in the Martin Companion application (*Firmware* → *ELP* → *ELP WW*).
4. Start the firmware upload by clicking *Update Firmware* in the Martin Companion application. Do not disconnect the Martin Companion cable or power off the fixture(s) until the upload is complete and the fixture(s) has successfully rebooted.
5. If you are updating multiple fixtures over a DMX link, check that they have all rebooted correctly.

### **Service and repairs**

There are no user-serviceable parts inside the fixture. Do not open the housing.

Do not try to repair the fixture by yourself as this may result in damage, malfunction and it may potentially void your product warranty. The equipment must only be serviced or repaired by an authorized Martin service technician.

Installation, on-site service and maintenance can be provided worldwide by the Martin Professional Global Service organization and its approved agents, giving owners access to Martin's expertise and product knowledge in a partnership that will ensure the highest level of performance throughout the product's lifetime. Please contact your Martin supplier for details.

### **Zoom lenses**

Two types of zoom lens with 15° - 30° and 25° - 50° zoom ranges are available as accessories. Both lenses are available in black or white finish (see 'Accessories' on page 32).

# DMX protocol

Channel			DMX range	Function
1CH	2CH	4CH		
1	1	1	0-255	Dimmer 0-100%
		2	0-255	Dimmer Fine
		3	Shutter	
			000-031	Blackout
			032-063	Open
			064-095	Strobe (Slow-Fast)
			096-127	Open
			128-159	Pulse effect in sequences
			160-191	Open
			192-223	Random strobe effect (Slow-Fast)
			224-255	Open
	2	4	0-255	Dimmer fade time

# Control menus

To access the control menus, press the MENU button. Use the UP and DOWN buttons to navigate the menus. Select any required menu option using the ENTER button. For more information, see 'Using the control menus' on page 33.

Default fixture settings are shown in **bold**.

Top Menu	Menu level 2	Menu level 3	Menu level 4	Notes
DMX Setup	DMX Addr	<b>1</b> - XXX		DMX address ( <b>default address = 1</b> ). The DMX address range is limited so that the fixture will always have enough DMX channels within the 512 available.
	DMX Mode	<b>1CH/2CH/4CH</b>		DMX control mode
Personality	Stand-Alone	<b>Off</b>		
		Master		Fixture acts as master in master/slave operation - DMX/RDM signal will override master/slave operation
		Slave		Fixture copies master in master/slave operation - DMX/RDM signal will override master/slave operation
	Dim Curve	Linear		Optically linear dimming curve
		<b>Square</b>		Square law dimming curve
		Inv Sq		Inverse square law dimming curve
		S-Curve		S-curve (fixture emulates incandescent lamp voltage linear RMS dimming curve)
	PWM Freq	600-2400Hz		LED PWM frequency (Default = 1200 Hz)
	No Data	Blackout		If data connection is lost, fixture will blackout
		<b>Hold</b>		If data connection is lost, fixture holds latest received data value at all channels

Personality (continued)	Cool Mode	<b>Reg fan</b>		Fan optimized for light intensity (temperature is controlled by regulating fan speed, light output is unaffected)	
		Full		Fans set to full/low constant speed (temperature is controlled by regulating light output).	
		Low			
	Display	Sleep	On		Display remains permanently on
			<b>2 min</b>		Display goes into sleep mode 2 minutes after last key press
			5 min		Display goes into sleep mode 5 minutes after last key press
			10 min		Display goes into sleep mode 10 minutes after last key press
		Rotation	<b>Normal</b>		Display orientation normal
			Rotate 180		Display orientation rotated 180°
		Intensity	<b>10-100</b>		Set display intensity in % (default = 100)
		Temp Unit	<b>°C</b>		All temperature readouts in C°
			°F		All temperature readouts in F°
	Default settings	Fac Default	<b>No</b>		
Yes				Return all settings to factory defaults	
Fixture test	Test LEDs			Run test sequence of LEDs, Dimmer and Strobe effect. Press Enter to restart test sequence. Press Menu button to exit test.	
Information	Power On	0 - XXXX h		Hours fixture has been powered on since manufacture (not user-resettable)	
	LED Hours	0 - XXXX h		Number of hours fixture LEDs have been powered on since manufacture (not user-resettable)	
	SW Version	XX.XX.XX		Displays currently active software version	

Information (continued)	Fixture ID	0 - 9999		User-settable fixture ID number
	RDM UID	XXXXXXXXXX XX		Displays fixture's unique RDM ID
	Temperature	LED / CPU Temp		Displays temperature in °C of all PCBs and LED
DMX Live	Dimmer, Shutter etc. .....	0 - 255 ...		Scroll to see values being received on each DMX channel
Manual Ctrl	Reset	<b>No</b>		
		Yes		Reset fixture
	Dimmer, Dimmer Fine, Shutter, Dimmer Fade	0-255		Manual control of all 4 channels
Service	Calibration	Dimmer	0- <b>100</b> %	Intensity master, sets maximum permitted intensity
		White	0-255	White CT calibration
		Load Def	Load	Load factory calibration settings
		-Password-	XXX	Enter password (019) for access to Save Set
		Save Set		Replace factory calibration settings with current calibration settings

# Troubleshooting

This section describes a few common problems that may occur during operation and provides some suggestions for easy troubleshooting:

Symptom	Potential cause	Remedies
No light from fixture.	Shutters are all pushed in, blocking the light. Power supply issue such as blown fuse, faulty connector or damaged cable.	Pull out the 4 shutter blades.  Ensure that the mains supply is connected and supplying power to the fixture. Ensure that the fixture's display screen lights up when a button is pressed. Check all power connections and cables. Replace the fixture fuse.
Fixture does not respond to DMX control.	Fault in the DMX network due to wiring problem, connector or cable damaged, or...  ...incorrect DMX addressing, or...  ...potential interference from proximity to a high-voltage installation.	Check if the fixture display is flashing to show that DMX is not being received, and if so, check all DMX cables and connections to ensure the integrity of the physical network. Ensure that the DMX network is terminated. Check that the components in the DMX network all use standard DMX polarity. Ensure that the fixture is set to the correct DMX address, one that matches that set on the DMX control device. Check the pins on the connectors from the previous fixture in the DMX network. Attempt to control the fixture with another DMX control device. Move the fixture if it is being operated very close to an unshielded high-voltage installation.

# Specifications

## Physical

Length.....	648 mm (25.5 in.)
Width .....	259 mm (10.2 in.)
Height .....	254 mm (10.0 in.)
Height (with bracket).....	427 mm (16.8 in.)
Weight .....	7.7 kg (17 lb.)

## Dynamic Effects

Electronic dimming .....	0 - 100%
Strobe and pulse effects.....	Variable speed and action, random strobe
Electronic 'shutter' effect .....	Instant open and blackout
Electronic dimming .....	Four dimming curve options

## Control and Programming

DMX channels .....	1/2/4
16-bit control.....	Intensity
Control options .....	DMX, stand-alone
PWM.....	600-2400 Hz
DMX address setting .....	Control panel with OLED display or via RDM
Stand-alone programming.....	Control panel with OLED display
DMX compliance .....	USITT DMX512-A
RDM compliance .....	ANSI/ESTA E1.20
Transceiver.....	Opto-isolated RS-485

## Optics

Light source .....	91 x 3 W warm white LEDs
Color Temperature .....	3000 K
Lens tube options .....	19°, 26°, 36°, 50°, 15-30° zoom, 25-50° zoom
Minimum LED lifetime .....	30 000 hours (to >70% luminous output)*

\*Figure obtained under manufacturer's test conditions:

## Photometric Data

Light engine luminous output .....	16 000 lumens
Fixture luminous output .....	7000 lumens
CRI (Color Rendering Index).....	>97
CQS (Color Quality Scale) .....	>93
TM-30 Rf (IES TM-30-15 Fidelity Index) .....	>93
TM-30 Rg (IES TM-30-15 Gamut Index).....	>101
TLCI (Television Lighting Consistency Index).....	>96

## Construction

Color(s).....	Black or white variant
Housing .....	Die-cast aluminum
Protection rating .....	IP20

## Gobos and Color Frame

Gobo size .....	A size, 100 mm OD, 75 mm image*
Gobo size .....	B size, 86 mm OD, 64.5 mm image*
Color frame size .....	159 x 159 mm (6.25 in. x 6.25 in.)

\* Goboholder not included

## Installation

Mounting.....	Adjustable bracket
Location .....	Indoor use only
Orientation.....	Any

Minimum distance to combustible materials.....	0.2 m (0.7 ft.)
Minimum distance to illuminated surfaces.....	0.5 m (1.6 ft.)

**Connections**

AC power in/thru.....	Neutrik PowerCON TRUE1
DMX & RDM data in/thru.....	5-pin XLR

**Electrical**

AC power.....	100-240 V nominal, 50/60 Hz
Power supply unit.....	Auto-ranging electronic switch-mode
Idle power (zero intensity).....	5 W
Half-cycle RMS inrush current at 230 V, 50 Hz.....	18.0 A
Fixture link via PowerCON at 100-120 V.....	Up to 4 fixtures
Fixture link via PowerCON at 200-240 V.....	Up to 9 fixtures

*Power consumption figures are typical, not maximum. Allow for +/- 10% variation.*

**Typical Power and Current**

110 V, 60 Hz.....	2.6 A, 280 W, PF 0.99
208 V, 60 Hz.....	1.4 A, 270 W, PF 0.97
230 V, 50 Hz.....	1.2 A, 269 W, PF 0.96
240 V, 50 Hz.....	1.2 A, 268 W, PF 0.96

*Measurements made at nominal voltage with all LEDs at full intensity. Allow for a deviation of +/- 10%.*

**Thermal**

Cooling.....	Forced air (temperature-regulated, low noise)
Maximum ambient temperature (Ta max.).....	40° C (104° F)
Minimum ambient temperature (Ta min.).....	0° C (32° F)
Total heat dissipation (calculated, +/- 10%, at full intensity, full white).....	1000 BTU/hr.

**Approvals**

Global CB Certification/IECEE.....	IEC 60598-2-17 (IEC 60598-1)
EU safety.....	EN 60598-2-17 (EN 60598-1), EN 62471, EN 62493
EU EMC.....	EN 55015, EN 55032, EN 55035, EN 61000-3-2, EN 61000-3-3, EN 61547
US safety.....	UL 1573
US EMC.....	FCC Part 15 Class B
Canadian safety.....	CSA C22.2 No. 166
Canadian EMC.....	ICES-003 Class B, ICES-005 Class B
Australia/NZ.....	RCM
United Kingdom.....	UKCA

**Included Items**

- Power input cable (0.75mm<sup>2</sup>, 18 AWG), bare ends to Neutrik TRUE1 NAC3FX-W (female), 1.5 m (4.9 ft.)
- Mounting yoke
- User manual

**Accessories**

**Cables, 16 A, for connection to power in chains**

*Power input cables*

Power Input Cable, H07RN-F, 2.5 mm <sup>2</sup> , bare ends to TRUE1 NAC3FX-W (female), 1.5 m (4.9 ft.).....	P/N 91611797
Power Input Cable, H07RN-F, 2.5 mm <sup>2</sup> , bare ends to TRUE1 NAC3FX-W (female), 5 m (16.4 ft.).....	P/N 91611786
Power Input Cable, SJOOW, 12 AWG, bare ends to TRUE1 NAC3FX-W (female), 1.5 m (4.9 ft.).....	P/N 91610173
Power Input Cable, SJOOW, 12 AWG, bare ends to TRUE1 NAC3FX-W (female), 5 m (16.4 ft.).....	P/N 91610174

*Power relay cables*

Power Relay Cable, H07RN-F, 2.5 mm <sup>2</sup> , TRUE1-TRUE1 0.45 m (1.5 ft.) .....	P/N 91611784
Power Relay Cable, H07RN-F, 2.5 mm <sup>2</sup> , TRUE1-TRUE1 1.2 m (3.9 ft.) .....	P/N 91611785
Power Relay Cable, H07RN-F, 2.5 mm <sup>2</sup> , TRUE1-TRUE1 2.5 m (8.2 ft.) .....	P/N 91611796
Power Relay Cable, SJOOW, 12 AWG, TRUE1-TRUE1, 0.45 m (1.5 ft.) .....	P/N 91610170
Power Relay Cable, SJOOW, 12 AWG, TRUE1-TRUE1, 1.2 m (3.9 ft.) .....	P/N 91610171
Power Relay Cable, SJOOW, 12 AWG, TRUE1-TRUE1, 2.5 m (8.2 ft.) .....	P/N 91610172

**Power connectors**

Neutrik PowerCON TRUE1 NAC3MX-W (male) .....	P/N 91611788HU
Neutrik PowerCON TRUE1 NAC3FX-W (female) .....	P/N 91611789HU

**Related Items**

Martin Companion Cable USB/DMX Interface .....	P/N 91616091
Martin Companion software suite .....	Free download from <a href="http://www.martin.com">www.martin.com</a>

**Ordering Information**

**Fixtures without lens tubes**

Martin ELP WW (fixture body only) .....	P/N 9045107781
Martin ELP WW (fixture body only), White .....	P/N 9045115165

**Lens tube options\***

Martin ELP Lens Tube 19° .....	P/N 9045107782
Martin ELP Lens Tube 26° .....	P/N 9045107783
Martin ELP Lens Tube 36° .....	P/N 9045107784
Martin ELP Lens Tube 50° .....	P/N 9045107785
Martin ELP Zoom Lens Tube 15-30° .....	P/N 9045121618
Martin ELP Zoom Lens Tube 25-50° .....	P/N 9045121619
Martin ELP Lens Tube 19°, White .....	P/N 9045115166
Martin ELP Lens Tube 26°, White .....	P/N 9045115167
Martin ELP Lens Tube 36°, White .....	P/N 9045115168
Martin ELP Lens Tube 50°, White .....	P/N 9045115170
Martin ELP Zoom Lens Tube 15-30°, White .....	P/N 9045122108
Martin ELP Zoom Lens Tube 25-50°, White .....	P/N 9045122109

*\*All lens tubes include a filter frame.*

*Specifications are subject to change without notice. For the latest product specifications, see [www.martin.com](http://www.martin.com)*

### **FCC Compliance**

This equipment has been tested and found to comply with the limits for a Class B digital device, pursuant to part 15 of the FCC Rules. These limits are designed to provide reasonable protection against harmful interference when the equipment is operated in a commercial environment. This equipment generates, uses and can radiate radio frequency energy and, if not installed and used in accordance with the instructions, may cause harmful interference to radio communications. Operation of this equipment in a residential area is likely to cause harmful interference, in which case the user will be required to correct the interference at his own expense.

### **Supplier's Declaration of Conformity**

Harman Professional, Inc. have issued an FCC Supplier's Declaration of Conformity for this product. The Declaration of Conformity is available for download from the ELP WW product area of the Martin website at [www.martin.com](http://www.martin.com).

### **Canadian Interference-Causing Equipment Regulations – Règlement sur le Matériel Brouilleur du Canada**

This Class B digital apparatus meets all requirements of the Canadian Interference-Causing Equipment Regulations. – *Cet appareil numérique de la classe B respecte toutes les exigences du Règlement sur le Matériel Brouilleur du Canada.*

CAN ICES-003 (B) / NMB-003 (B); CAN ICES-005 (B) / NMB-005 (B)

### **EU Declaration of Conformity**

An EU Declaration of Conformity covering this product is available for download from the ELP WW product area of the Martin website at [www.martin.com](http://www.martin.com).

### **Disposing of the product**



Martin products are supplied in compliance with Directive 2012/19/EC of the European Parliament and of the Council of the European Union on WEEE (Waste Electrical and Electronic Equipment), where applicable.

Help preserve the environment! Ensure that this product is recycled at the end of its life. Your supplier can give details of local arrangements for the disposal of Martin products



