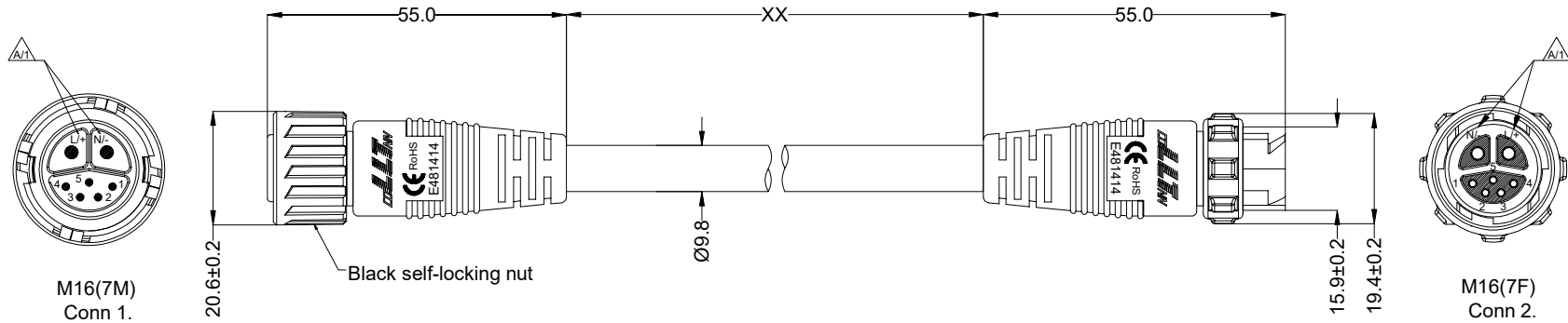


REVISION HISTORY

DATE	REV.	DESCRIPTION	BY
29-May-2023	A	First release	JL/DS
04-Jul-2024	A/1	Update Power Pin Identifier.	JL/DS
30-Dec-2025	A/2	Update the frame and add spring material.	JL/DS
03-Feb-2026	A/3	Update cable LSZH to be independent	JL/DS

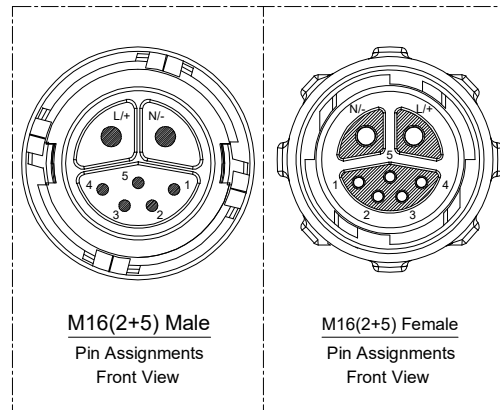


Drawing applies to:

- MAR-91700100 DC + Ethernet Cable DCE-DCE 1m,Weight:165grams
- MAR-91700101 DC + Ethernet Cable DCE-DCE 2.5m,Weight:359grams
- MAR-91700102 DC + Ethernet Cable DCE-DCE 5m,Weight:681grams
- MAR-91700103 DC + Ethernet Cable DCE-DCE 10m,Weight:1325grams
- MAR-91700104 DC + Ethernet Cable DCE-DCE 25m,Weight:3259grams
- MAR-91700105 DC + Ethernet Cable 100m(No Connectors),Weight:12890grams
- MAR-91700107 Field-installable Connector DCE Male,Weight:17grams
- MAR-91700108 Field-installable Connector DCE Female,Weight:18grams

NOTE:

1. Operation Temperature: Connector (-30°C~105°C)/ Cable(-30°C~80°C)
2. Waterproof Rating: IP67
3. Connection Style(Pin&Wire): Soldering
4. Over-mold Material: Nylon
5. Fireproof Rating: UL94V-0
6. Connector Contact: Power Pin Ø1.5mm,Signal Pin Ø0.8mm
7. Contact & Coating: Brass With Gold Plated
8. Sealing: Silica Gel O-ring
9. Spring: 304 stainless steel
10. Current Rating: Power Pin 10A,Signal Pin 3A
11. Voltage Rating: DC 48V
12. Hot-Pluggable(According to UL1977): 48V,15A,250 Cycles
13. Cable:UL21388 Type,UL758 Certificate
14. Cable Minimum Bending Radius:12*D



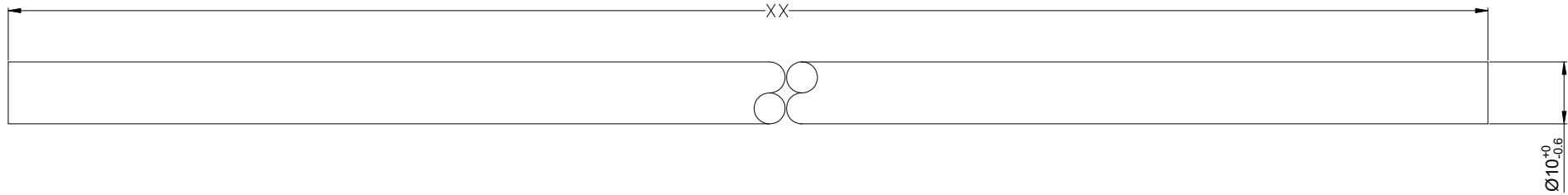
P1	Function		M16 Cable Color	P1
L/+	Power	Vcc(48v)	Red(15AWG,1.65mm ²)	L/+
N/-	Power	GND	Black(15AWG,1.65mm ²)	N/-
1	Data	Data TX +	White/Orange(24AWG,0.2mm ²)	1
2	Data	Data TX -	Orange(24AWG,0.2mm ²)	2
3	Data	Data RX +	White/Green(24AWG,0.2mm ²)	3
4	Data	Data RX -	Green(24AWG,0.2mm ²)	4
5	Data	Data Shield	Data Shield	5

PIN OUT

<p>ROHS RESTRICTION OF HAZARDOUS SUBSTANCES ALL MATERIALS USED IN THIS PART MUST BE ROHS COMPLIANT. SUPPLIER SHALL PROVIDE A CERTIFICATE OF ROHS COMPLIANCE WITH THE FIRST ARTICLE.</p>	<p>DIMENSIONS SHOWN ARE FOR REFERENCE AND INSPECTION ONLY. REFER TO CAD MODEL PROVIDED WITH THIS DRAWING FOR OVERALL DEFINITION OF PART GEOMETRY.</p>		<p>FIRST ANGLE PROJECTION</p>		<p>Martin HARMAN Professional Denmark ApS Olof Palmes Allé 44 DK 8200 Aarhus N</p>		
	<p>Material</p>	<p>Surface treatment</p>		<p>TITLE DC + Ethernet Cable DCE-DCE</p>			
<p>2025 © HARMAN INTERNATIONAL INDUSTRIES, INCORPORATED. ALL RIGHTS RESERVED. DO NOT USE, DISCLOSE, SELL, REPRODUCE, PUBLISH OR MODIFY WITHOUT AUTHORIZED WRITTEN HARMAN PERMISSION.</p>	<p>Weight</p>	<p>Color</p>		<p>NO. MAR-917001 X X REV A</p>			
<p>General linear tolerance</p>	<p>General angular tolerance</p>		<p>SIZE A4</p>	<p>SCALE 1:1</p>	<p>UNIT mm</p>	<p>DO NOT SCALE DRAWING</p>	<p>SHEET OF 1 1</p>

REVISION HISTORY

DATE	REV.	DESCRIPTION	BY
03-Feb-2026	A	First release	JL/DS

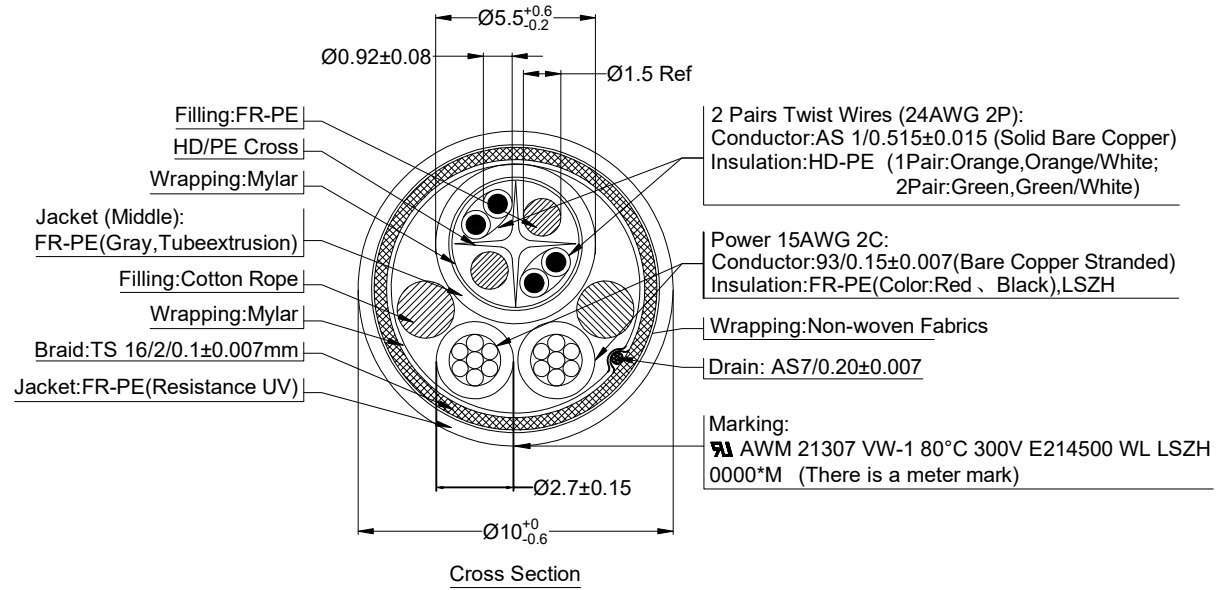


Drawing applies to:

- MAR-91700106 DC + Ethernet Cable LSZH 100m , Weight: 11200grams
- MAR-91700107 Field-installable Connector DCE Male, Weight: 17grams
- MAR-91700108 Field-installable Connector DCE Female, Weight: 18grams

NOTE:

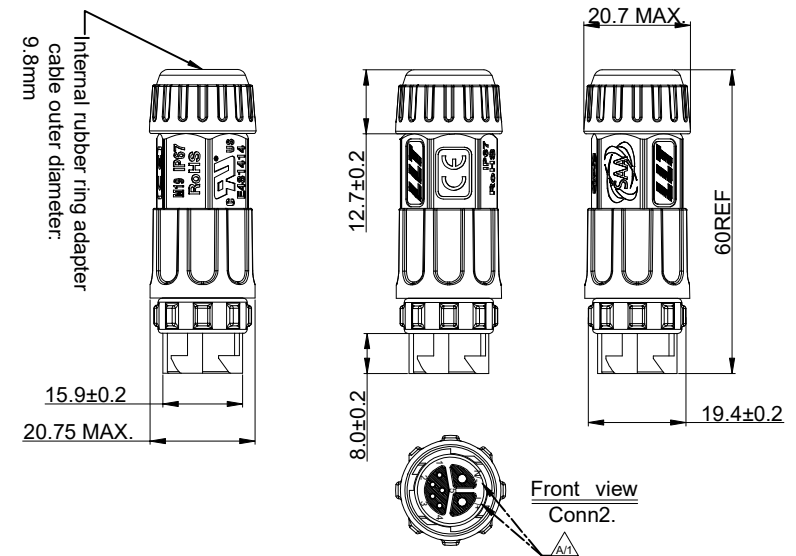
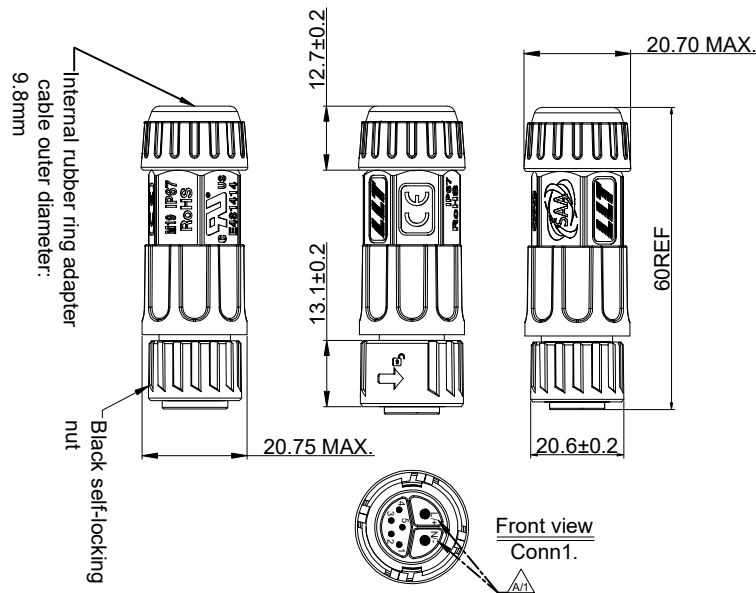
1. Operation Temperature: -20°C~+80°C
2. Waterproof rating: IP67
3. Fireproof rating: VW-1
4. Conductor Resistance (At 20 °C): 24AWG ≅ 85.9Ω/KM; 15AWG ≅ 10.9Ω/KM
5. Current Rating: Power Pin 10A, Signal Pin 3A
6. Voltage Rating: DC 48V
7. After 720 Hours Of Carbon Arc Exposure Or Xenon Arc Exposure, Tensile Strength And Elongation At Break Of Not Less Than 80%.
8. Cable: UL21307 Type, UL758 Certificate
9. Cable Minimum Bending Radius: 12*D
10. Wiring Method: Fixed Installation
11. Environmental Restricted Substance Requirement
 - RoHS2.0 Reach
 - ZH(Cl <900 PPM ; Br <900 PPM; Cl +Br <1500 PPM)



<p>ROHS RESTRICTION OF HAZARDOUS SUBSTANCES ALL MATERIALS USED IN THIS PART MUST BE ROHS COMPLIANT. SUPPLIER SHALL PROVIDE A CERTIFICATE OF ROHS COMPLIANCE WITH THE FIRST ARTICLE.</p>	DIMENSIONS SHOWN ARE FOR REFERENCE AND INSPECTION ONLY. REFER TO CAD MODEL PROVIDED WITH THIS DRAWING FOR OVERALL DEFINITION OF PART GEOMETRY.		FIRST ANGLE PROJECTION				HARMAN Professional Denmark ApS Olof Palmes Allé 44 DK 8200 Aarhus N	
	Material	Surface treatment	TITLE DC + Ethernet Cable LSZH					
2025 © HARMAN INTERNATIONAL INDUSTRIES, INCORPORATED. ALL RIGHTS RESERVED. DO NOT USE, DISCLOSE, SELL, REPRODUCE, PUBLISH OR MODIFY WITHOUT AUTHORIZED WRITTEN HARMAN PERMISSION.	Weight	Color	NO. MAR-917001 X X		REV A			
	General linear tolerance	General angular tolerance	SIZE A4	SCALE 1:1	UNIT mm	DO NOT SCALE DRAWING	SHEET 1	OF 1

REVISION HISTORY

DATE	REV.	DESCRIPTION	BY
29-May-2023	A	First release.	JL/DS
04-Jul-2024	A/1	Update Power Pin Identifier.	JL/DS
30-Dec-2025	A/2	Update the frame and add spring material.	JL/DS



Drawing applies to:

MAR-91700107 Field-installable Connector DCE Male,Weight:17grams

MAR-91700108 Field-installable Connector DCE Female,Weight:18grams

Technical Specs:

Current Rating: 10A(Power Pin),3A(Data Pin)

Voltage Rating: 48V/48V DC

Pcontact Resistance: ≤20 mΩ

Insulation Resistance: ≥20MΩ

Dielectric Strength: Min 600VRMS

Mechanical Life: Min 1500 Cycles

Operation Temperature: -30°C To +105°C

Waterproof Grade: IP67

Material:

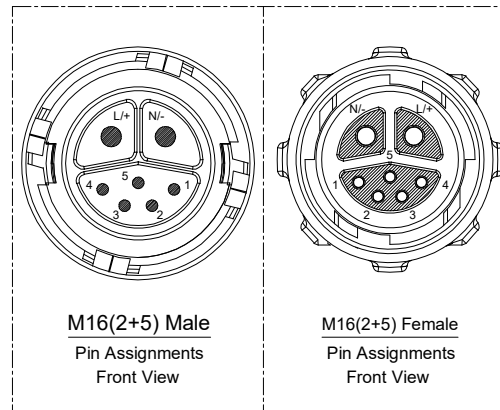
Contact: Brass, Gold-plated

Contact Plastic: Nylon,UL94V-0

Glue Filling: Epoxy Resin

Sealing:Silica Gel O-ring

Spring: 304 stainless steel



P1	Function	M16 Cable Color	P1
L/+	Power	Vcc(48v)	L/+
N/-	Power	GND	N/-
1	Data	Data TX +	1
2	Data	Data TX -	2
3	Data	Data RX +	3
4	Data	Data RX -	4
5	Data	Data Shield	5
PIN OUT			



ROHS

RESTRICTION OF HAZARDOUS SUBSTANCES
ALL MATERIALS USED IN THIS PART MUST BE
ROHS COMPLIANT.
SUPPLIER SHALL PROVIDE A CERTIFICATE OF
ROHS COMPLIANCE WITH THE FIRST ARTICLE.

2025 © HARMAN INTERNATIONAL INDUSTRIES,
INCORPORATED. ALL RIGHTS RESERVED.
DO NOT USE, DISCLOSE, SELL, REPRODUCE,
PUBLISH OR MODIFY WITHOUT AUTHORIZED
WRITTEN HARMAN PERMISSION.

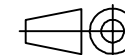
DIMENSIONS SHOWN ARE FOR REFERENCE AND
INSPECTION ONLY. REFER TO CAD MODEL
PROVIDED WITH THIS DRAWING FOR OVERALL
DEFINITION OF PART GEOMETRY.

Material

Weight

General linear tolerance

FIRST ANGLE
PROJECTION



Surface treatment

Color

General angular tolerance

TITLE
Martin
DC + Ethernet Cable DCE-DCE

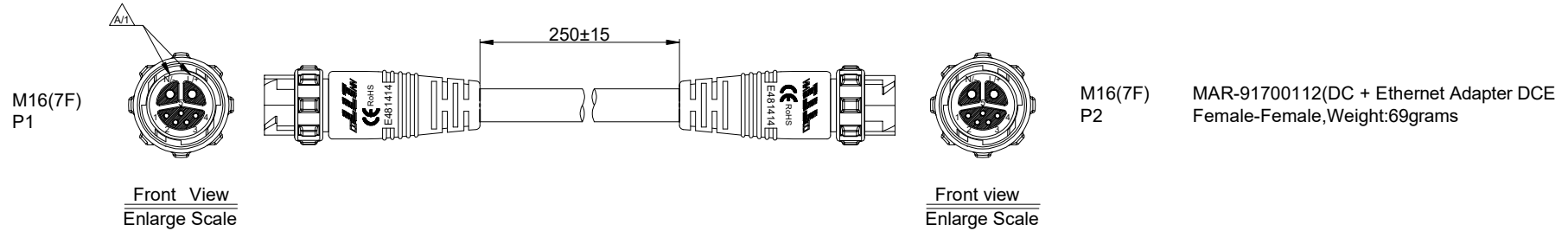
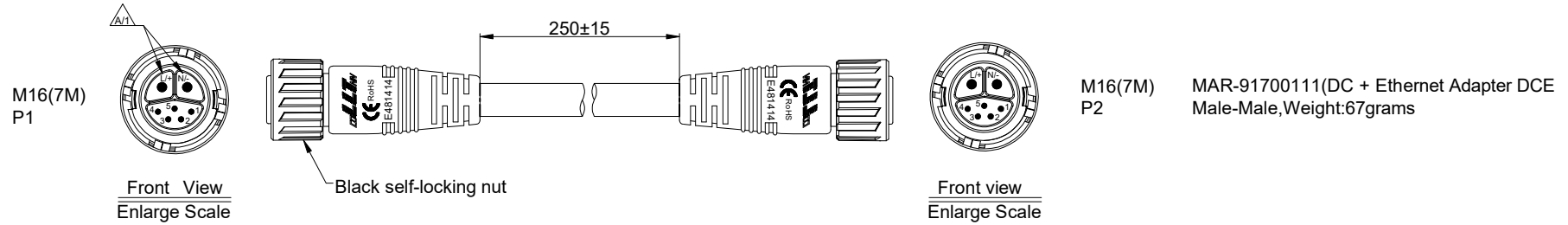
NO. **MAR-917001 X X** REV **A**

SIZE **A4** SCALE **1:1** UNIT **mm** DO NOT SCALE DRAWING SHEET OF **1 1**

HARMAN Professional
Denmark ApS
Olof Palmes Allé 44
DK 8200 Aarhus N

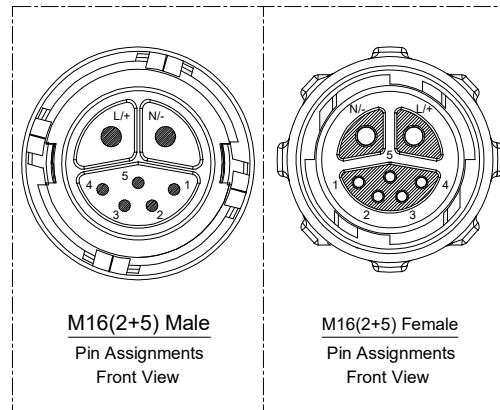
REVISION HISTORY

DATE	REV.	DESCRIPTION	BY
29-May-2023	A	First release	JL/DS
04-Jul-2024	A/1	Update Power Pin Identifier.	JL/DS
30-Dec-2025	A/2	Update the frame and add spring material.	JL/DS



NOTE:

1. Operation Temperature: Connector (-30°C~105°C)/ Cable (-30°C~80°C)
2. Waterproof Rating: IP67
3. Connection Style(Pin&Wire): Soldering
4. Over-mold Material: Nylon
5. Fireproof Rating: UL94V-0
6. Connector Contact: Power Pin Ø1.5mm,Signal Pin Ø0.8mm
7. Contact & Coating: Brass With Gold Plated
8. Sealing: Silica Gel O-ring
9. Spring: 304 stainless steel
10. Current Rating: Power Pin 10A,Signal Pin 3A
11. Voltage Rating: DC 48V
12. Hot-Pluggable(According to UL1977): 48V,15A,250 Cycles
13. Cable:UL21388 Type,UL758 Certificate
14. Cable Minimum Bending Radius:12*D



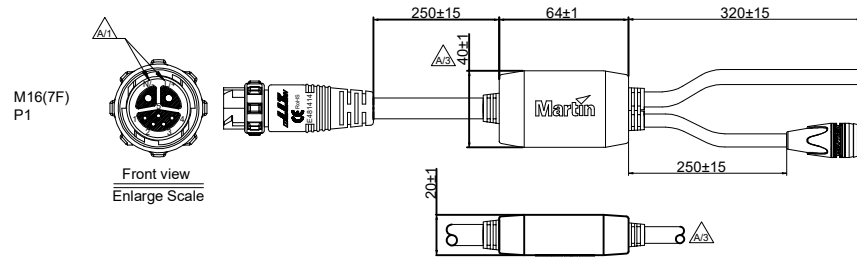
P1	Function		M16 Cable Color	P1
L/+	Power	Vcc(48v)	Red(15AWG,1.65mm ²)	L/+
N/-	Power	GND	Black(15AWG,1.65mm ²)	N/-
1	Data	Data TX +	White/Orange(24AWG,0.2mm ²)	1
2	Data	Data TX -	Orange(24AWG,0.2mm ²)	2
3	Data	Data RX +	White/Green(24AWG,0.2mm ²)	3
4	Data	Data RX -	Green(24AWG,0.2mm ²)	4
5	Data	Data Shield	Data Shield	5

PIN OUT

<p>ROHS</p> <p>RESTRICTION OF HAZARDOUS SUBSTANCES ALL MATERIALS USED IN THIS PART MUST BE ROHS COMPLIANT. SUPPLIER SHALL PROVIDE A CERTIFICATE OF ROHS COMPLIANCE WITH THE FIRST ARTICLE.</p>	<p>DIMENSIONS SHOWN ARE FOR REFERENCE AND INSPECTION ONLY. REFER TO CAD MODEL PROVIDED WITH THIS DRAWING FOR OVERALL DEFINITION OF PART GEOMETRY.</p>		<p>FIRST ANGLE PROJECTION</p>		<p>Martin</p> <p>HARMAN Professional Denmark ApS Olof Palmes Allé 44 DK 8200 Aarhus N</p>			
	<p>Material</p>		<p>Surface treatment</p>		<p>TITLE DC + Ethernet Adapter DCE Male-Male DC + Ethernet Adapter DCE Female-Female</p>			
<p>2025 © HARMAN INTERNATIONAL INDUSTRIES, INCORPORATED. ALL RIGHTS RESERVED. DO NOT USE, DISCLOSE, SELL, REPRODUCE, PUBLISH OR MODIFY WITHOUT AUTHORIZED WRITTEN HARMAN PERMISSION.</p>		<p>Weight</p>		<p>Color</p>		<p>NO. MAR-917001 X X REV A</p>		
<p>General linear tolerance</p>		<p>General angular tolerance</p>		<p>SIZE A4</p>	<p>SCALE 1:1</p>	<p>UNIT mm</p>	<p>DO NOT SCALE DRAWING</p>	<p>SHEET OF 1 1</p>

REVISION HISTORY

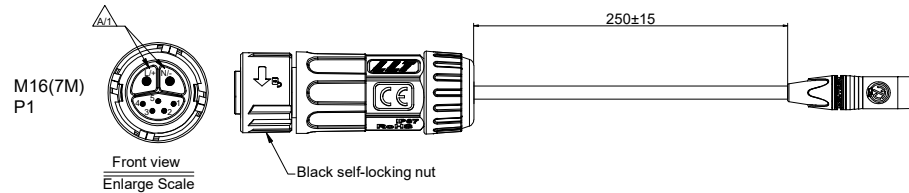
DATE	REV.	DESCRIPTION	BY
29-May-2023	A	First release.	JL/DS
04-Jul-2024	A/1	Update Power Pin Identifier.	JL/DS
30-Dec-2025	A/2	Update the frame and add spring material.	JL/DS
04-Feb-2026	A/3	Add SR view and dimension annotation.	JL/DS



P2

NE8MX-TOP
P3

MAR-91700113(DC + Ethernet Adapter Ether+Wires to DCE)
Weight:191grams



NE8MX-TOP
P2

MAR-91700114(DC + Ethernet Adapter DCE to Wire Tails)
Weight:67grams

NOTE:

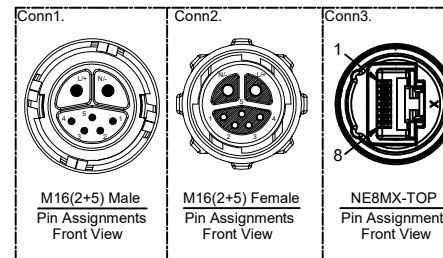
1. Operation Temperature: Connector (-30°C~105°C) / Cable(-20°C~80°C)
2. Waterproof Rating: IP65
3. Connection Style(Pin&Wire): Soldering
4. P1 Over-mold Material: Nylon
5. SR Over-mold Material: PVC
6. Fireproof Rating: UL94V-0
7. Connector Contact: Power Pin Ø1.5mm,Signal Pin Ø0.8mm
8. Contact & Coating: Brass With Gold Plated
9. Sealing: Silica Gel O-ring
10. Spring: 304 stainless steel
11. Current Rating: Power Pin 10A,Signal Pin 3A
12. Voltage Rating: DC 48V
13. Hot-Pluggable(According to UL1977): 48V,15A,250 Cycles
14. Cable 1:UL21388 Type,UL758 Certificate,Cable Minimum Bending Radius:12*D,Operation Temperature -30°C~80°C
15. Cable 2:SJTW Power Cable,Cable Minimum Bending Radius:12*D,Operation Temperature -40°C~80°C
16. Cable 3:CAT.5e Ethernet Cable,CAT.5e Minimum Bending Radius:8*D,Operation Temperature -20°C~80°C

P1	Function	Cable Color	P2
L/+	Power	Vcc(48v)	—
N/-	Power	GND	—
1	Data	Data TX +	1
2	Data	Data TX -	2
3	Data	Data RX +	3
4	Data	Data RX -	6
5	Data	Data Shield	Shell
—	—	NO Function	4
—	—	NO Function	5
—	—	NO Function	7
—	—	NO Function	8

PIN OUT(MAR-91700114)

P1	Function	Cable Color	P2	P3
L/+	Power	Vcc(48v)	Red (15AWG,1.65mm ²)	CUT
N/-	Power	GND	Black (15AWG,1.65mm ²)	CUT
1	Data	Ethernet TX +	White/Orange (24AWG,0.2mm ²)	1
2	Data	Ethernet TX -	Orange (24AWG,0.2mm ²)	2
3	Data	Ethernet RX +	White/Green (24AWG,0.2mm ²)	3
4	Data	Ethernet RX -	Green (24AWG,0.2mm ²)	6
5	Data	Ethernet Shield	Data Shield (24AWG,0.2mm ²)	Shell
—	—	NO Function	Blue (24AWG,0.2mm ²)	4
—	—	NO Function	White/Blue (24AWG,0.2mm ²)	5
—	—	NO Function	White/Brown (24AWG,0.2mm ²)	7
—	—	NO Function	Brown (24AWG,0.2mm ²)	8

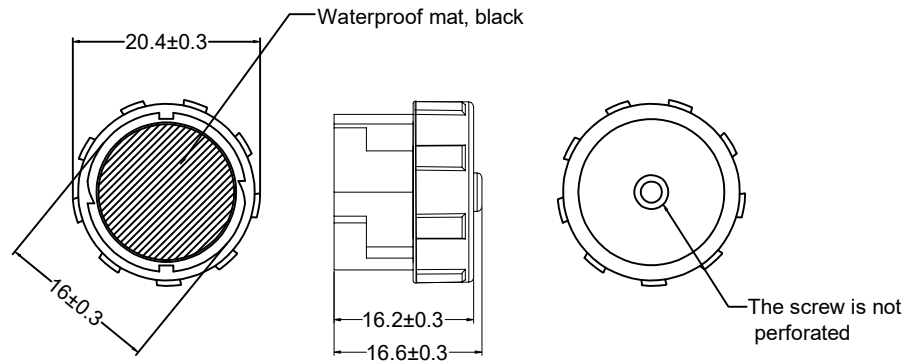
PIN OUT(MAR-91700113)



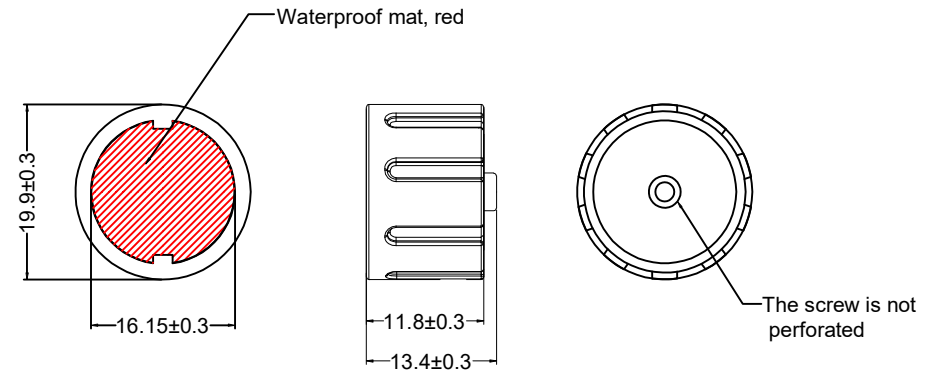
<p>ROHS RESTRICTION OF HAZARDOUS SUBSTANCES ALL MATERIALS USED IN THIS PART MUST BE ROHS COMPLIANT. SUPPLIER SHALL PROVIDE A CERTIFICATE OF ROHS COMPLIANCE WITH THE FIRST ARTICLE.</p>		<p>DIMENSIONS SHOWN ARE FOR REFERENCE AND INSPECTION ONLY. REFER TO CAD MODEL PROVIDED WITH THIS DRAWING FOR OVERALL DEFINITION OF PART GEOMETRY.</p>		<p>FIRST ANGLE PROJECTION</p>		<p>Martin HARMAN Professional Denmark ApS Clot Palmes Alle 44 DK 8200 Aarhus N</p>	
<p>2025 © HARMAN INTERNATIONAL INDUSTRIES, INCORPORATED. ALL RIGHTS RESERVED. DO NOT USE, DISCLOSE, SELL, REPRODUCE, PUBLISH OR MODIFY WITHOUT AUTHORIZED WRITTEN HARMAN PERMISSION.</p>		<p>Material</p>		<p>Surface treatment</p>		<p>TITLE DC + Ethernet Adapter Ether+Wires to DCE DC + Ethernet Adapter DCE to Wire Tails</p>	
<p>Weight</p>		<p>Color</p>		<p>NO MAR-917001 X X</p>		<p>REV A</p>	
<p>General linear tolerance</p>		<p>General angular tolerance</p>		<p>SIZE A3</p>		<p>SCALE 1:1</p>	
				<p>UNIT mm</p>		<p>DO NOT SCALE DRAWING</p>	
						<p>SHEET OF 1 1</p>	

REVISION HISTORY

DATE	REV.	DESCRIPTION	BY
20-May-2026	A	First release	JL/DS



▲MAR-91700109 Closing Cap Male DCE Connector ,Weight:3.42grams



▲MAR-91700110 Closing Cap Female DCE Connector ,Weight:2.42grams

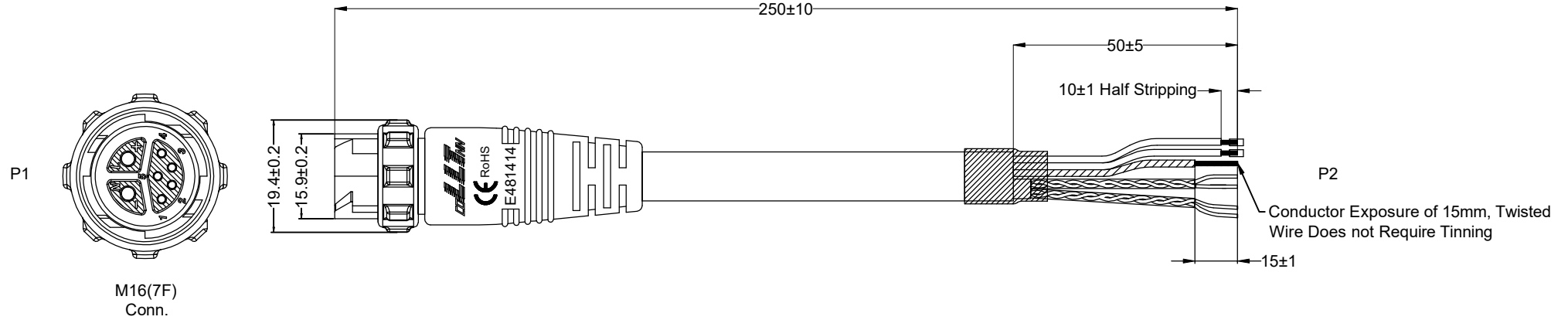
NOTE:

Material: Nylon,UL94V-0
 Operation Temperature: -30°C To +105°C
 Waterproof Grade: IP67

<p>ROHS RESTRICTION OF HAZARDOUS SUBSTANCES ALL MATERIALS USED IN THIS PART MUST BE ROHS COMPLIANT. SUPPLIER SHALL PROVIDE A CERTIFICATE OF ROHS COMPLIANCE WITH THE FIRST ARTICLE.</p>	DIMENSIONS SHOWN ARE FOR REFERENCE AND INSPECTION ONLY. REFER TO CAD MODEL PROVIDED WITH THIS DRAWING FOR OVERALL DEFINITION OF PART GEOMETRY.		FIRST ANGLE PROJECTION			HARMAN Professional Denmark ApS Olof Palmes Allé 44 DK 8200 Aarhus N				
	Material	Surface treatment	TITLE Closing Cap Male or Female DCE Connector							
2025 © HARMAN INTERNATIONAL INDUSTRIES, INCORPORATED. ALL RIGHTS RESERVED. DO NOT USE, DISCLOSE, SELL, REPRODUCE, PUBLISH OR MODIFY WITHOUT AUTHORIZED WRITTEN HARMAN PERMISSION.	Weight	Color	NO. MAR-917001 XX		REV A					
	General linear tolerance	General angular tolerance	SIZE A4	SCALE 1:1	UNIT mm	DO NOT SCALE DRAWING	SHEET 1	OF 1		

REVISION HISTORY

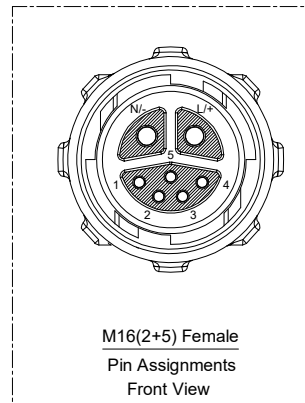
DATE	REV.	DESCRIPTION	BY
20-May-2026	A	First release	JL/DS



Drawing applies to:
MAR-91700115 DC + Ethernet Adapter Bare Wires to DCE ,Weight:41grams

NOTE:

1. Operation Temperature: Connector (-30°C~105°C)/ Cable (-30°C~80°C)
2. Waterproof Rating: IP67
3. Connection Style(Pin&Wire): Soldering
4. Over-mold Material: Nylon,UL94V-0
5. Connector Contact: Power Pin Ø1.5mm,Signal Pin Ø0.8mm
6. Contact & Coating: Brass With Gold Plated
7. Current Rating: Power Pin 10A,Signal Pin 3A
8. Voltage Rating: DC 48V
9. Hot-Pluggable(According to UL1977): 48V,15A,250 Cycles
10. Cable:UL21388 Type,UL758 Certificate
11. Cable Minimum Bending Radius:12*D



P1	Function		M16 Cable Color	P2
L/+	Power	Vcc(48v)	Red(15AWG,1.65mm ²)	Half Stripping 10±1
N/-	Power	GND	Black(15AWG,1.65mm ²)	Half Stripping 10±1
1	Data	Data TX +	White/Orange(24AWG,0.2mm ²)	Cut
2	Data	Data TX -	Orange(24AWG,0.2mm ²)	Cut
3	Data	Data RX +	White/Green(24AWG,0.2mm ²)	Cut
4	Data	Data RX -	Green(24AWG,0.2mm ²)	Cut
5	Data	Data Shield	Data Shield	COND Exposure of 15mm

PIN OUT

<p>ROHS RESTRICTION OF HAZARDOUS SUBSTANCES ALL MATERIALS USED IN THIS PART MUST BE ROHS COMPLIANT. SUPPLIER SHALL PROVIDE A CERTIFICATE OF ROHS COMPLIANCE WITH THE FIRST ARTICLE.</p>	<p>DIMENSIONS SHOWN ARE FOR REFERENCE AND INSPECTION ONLY. REFER TO CAD MODEL PROVIDED WITH THIS DRAWING FOR OVERALL DEFINITION OF PART GEOMETRY.</p>		<p>FIRST ANGLE PROJECTION</p>		<p>Martin HARMAN Professional Denmark ApS Olof Palmes Allé 44 DK 8200 Aarhus N</p>			
	<p>Material</p>		<p>Surface treatment</p>		<p>TITLE DC + Ethernet Adapter Bare Wires to DCE</p>			
<p>2025 © HARMAN INTERNATIONAL INDUSTRIES, INCORPORATED. ALL RIGHTS RESERVED. DO NOT USE, DISCLOSE, SELL, REPRODUCE, PUBLISH OR MODIFY WITHOUT AUTHORIZED WRITTEN HARMAN PERMISSION.</p>		<p>Weight</p>		<p>Color</p>		<p>NO. MAR-91700115 REV A</p>		
<p>General linear tolerance</p>		<p>General angular tolerance</p>		<p>SIZE A4</p>	<p>SCALE 1:1</p>	<p>UNIT mm</p>	<p>DO NOT SCALE DRAWING</p>	<p>SHEET OF 1 1</p>