



# EXTERIOR DC-FEEDER

MULTI-PROTOCOL, LOW-VOLTAGE DRIVER BOX FOR EXTERIOR DOT -1/4/9 PRO

SPEC SHEET

## PRODUCT FEATURES

- Fully-weatherized housing (IP66, IK08 and C-5 High corrosion rating)
- Martin P3/Art-Net/sACN compatible (automatic protocol detection)
- 48 VDC input
- Fail-safe bypass of Ethernet signal
- Local status LED and pushbutton to call up test patterns
- Setup and Addressing via RDM over Art-Net or Martin P3
- Real-time status feedback via RDM over Art-Net and Martin P3
- Thermal protection with automatic power reduction
- Hybrid power + data input (single cable for power and data input)
- Hybrid power + data thru (to daisy-chain multiple DC-Feeders)
- Hybrid power + data output (to Exterior Dot Pro strings)
- Hot-pluggable connectors
- Surface- and truss-mountable
- Shipped in FSC-certified cardboard packaging
- 5-year warranty

## TECHNICAL SPECIFICATIONS

### CONTROL AND PROGRAMMING

Control protocols.....	Martin P3, Art-Net or sACN
Protocol detection .....	Automatic
RDM Compliance (over Art-Net) .....	ANSI/ESTA E1.20
Art-Net Compliance .....	Art-Net 1, 2, 3 and 4; including RDM over Art-Net
sACN Compliance .....	ANSI E1.31 - 2016
Martin P3 Compliance .....	P3 System Controller Software 6.1.0 or newer
Ethernet Transceiver.....	10/100Mbit (with fail-safe bypass)
Fixture identification .....	User-settable ID number
Setting and addressing .....	Martin P3 System controller or RDM (over Art-Net)--compliant controller
Firmware update .....	Via Ethernet using Martin Companion / P3 System Controller

### CONTROL/USER INTERFACE

Device status.....	Multicolor status LED
Device test and reset .....	Pushbutton to call up local test patterns and reset device.

### CONSTRUCTION

Color.....	Black
Housing .....	Aluminum
Surface treatment .....	Anodized and electrostatic powder-coated
Effective Projected Area (EPA).....	0.029 m <sup>2</sup>
Protection rating.....	IP66
Impact resistance .....	IK08
Corrosion resistance .....	C5 High (ISO 12944-6)
Vibration resistance .....	1.0g, Sinusoidal (IEC 60068-2-6), 0,7g RMS Random (IEC 60068-2-64), 3.0g (ANSI C136-31)

### INSTALLATION

Orientation.....	Any
Surface mounting .....	Four M6 mounting slots.
Truss mounting .....	M12 mounting hole for standard rigging clamp

### CONNECTIONS

Input .....	DCE connector cable tail for Power & data input, IP67
Thru.....	DCE connector cable tail for Power & data thru, IP67
Output .....	Cable tail with connector for Exterior Dot Pro string, IP67
Protection .....	Hot-pluggable

### ELECTRICAL

Nominal input voltage .....	48 VDC +/- 4%
Power supply options .....	Martin P3 PowerPort 2000, P3 PowerPort 500 IP Install, P3 PowerPort 500 IP Rental, Martin DCE PSU 240 IP or generic 48 VDC PSU
Output voltage .....	15 VDC
Surge protection.....	4 KV

### POWER CONSUMPTION

Max.....	110 W at full load
Idle .....	5.0 W
Hibernation .....	2.2W

\* Measurements made at nominal voltage. Allow for a deviation of +/- 10%.  
Idle: all LEDs at zero intensity. Maximum at full intensity, full white. Idle at zero intensity. Hibernation: zero intensity, wake-up procedure to re-use fixture.

# EXTERIOR DC-FEEDER

MULTI-PROTOCOL, LOW-VOLTAGE DRIVER BOX FOR EXTERIOR DOT -1/4/9 PRO

SPEC SHEET

## TECHNICAL SPECIFICATIONS (Cont.)

### THERMAL

Cooling ..... Convection  
Max. ambient temperature (Ta max.) ...55° C (131° F)\*  
Min. ambient temperature (Ta min.).....-30° C (-22° F)  
Total heat dissipation  
(calculated, +/- 10%) ..... 34 BTU/hr at full load  
Thermal Protection ..... Integrated temperature sensor  
*\*Above this temperature, the AC-Feeder regulates output to protect from overheating.*

### ENVIRONMENTAL

RoHS ..... Compliant  
REACH ..... Compliant  
WEEE ..... Compliant  
Proposition 65 ..... Compliant  
FSC ..... Certified cardboard inlay and outer box

### APPROVALS

EU safety ..... EN 62368-1  
EU EMC ..... EN55032, EN55035, EN61000-3-2,  
EN61000-3-3  
US safety ..... UL 62368-1  
US EMC ..... FCC 47 CRF § 15 Class A  
Canadian safety ..... CSA C22.2 No. 62368-1  
Canadian EMC ..... ICES-003 Class A  
Australia/NZ ..... RCM  
United Kingdom ..... UKCA



## RELATED ITEMS

- P3-175 System Controller: ..... P/N MAR-90721100
- P3-275 System Controller: ..... P/N MAR-90721101
- P3-PC System Controller: Free download from [www.martin.com](http://www.martin.com)
- Martin Companion Free download from [www.martin.com](http://www.martin.com)
- Exterior Dot-1 Pro, 115mm,  
100 pcs, 2m lead-in: ..... P/N MAR-90580000
- Exterior Dot-4 Pro, 200mm,  
64 pcs, 2m lead: ..... P/N MAR-90580001
- Exterior Dot-9 Pro, 400mm,  
36 pcs 2m lead: ..... P/N MAR-90580002

## ACCESSORIES

### POWER AND DATA SUPPLY UNITS

- P3 PowerPort 2000: ..... P/N MAR-90721200
- P3 PowerPort 500 IP Rental: ..... P/N MAR-90721201
- P3 PowerPort 500 IP Install: ..... P/N MAR-90721202
- DCE PSU 240 IP: ..... P/N MAR-90721203

### DATA SPLITTER & BOOSTER FOR SPLIT OR EXTENDED CABLE RUNS

- DCE DataSplitterBooster IP: ..... P/N MAR-90721204

### PRE-ASSEMBLED HYBRID DCE CABLES

- DC + Ethernet Cable DCE-DCE 1m: ..... P/N MAR-91700100
- DC + Ethernet Cable DCE-DCE 2.5m: ..... P/N MAR-91700101
- DC + Ethernet Cable DCE-DCE 5m: ..... P/N MAR-91700102
- DC + Ethernet Cable DCE-DCE 10m: ..... P/N MAR-91700103
- DC + Ethernet Cable DCE-DCE 25m: ..... P/N MAR-91700104

### BULK HYBRID DCE CABLES

- DC + Ethernet Cable 100m: ..... P/N MAR-91700105
- DC + Ethernet Cable LSZH 100m: ..... P/N MAR-91700106

### FIELD-INSTALLABLE DCE CONNECTORS

- Field-installable Connector DCE Male: ..... P/N MAR-91700107
- Field-installable Connector DCE Female: ..... P/N MAR-91700108

### CLOSING CAPS FOR DCE CONNECTORS

- Closing Cap Male DCE Connector: ..... P/N MAR-91700109
- Closing Cap Female DCE Connector: ..... P/N MAR-91700110

### HYBRID DCE ADAPTERS

- DC + Ethernet Adapter DCE Male-Male: ..... P/N MAR-91700111
- DC + Ethernet Adapter DCE Female-Female: ..... P/N MAR-91700112
- DC + Ethernet Adapter  
EtherCON+Wires to DCE: ..... P/N MAR-91700113
- DC + Ethernet Adapter DCE to EtherCON: ..... P/N MAR-91700114

## ORDERING INFORMATION

- Exterior DC-Feeder ..... P/N MAR-90580004

# EXTERIOR DC-FEEDER

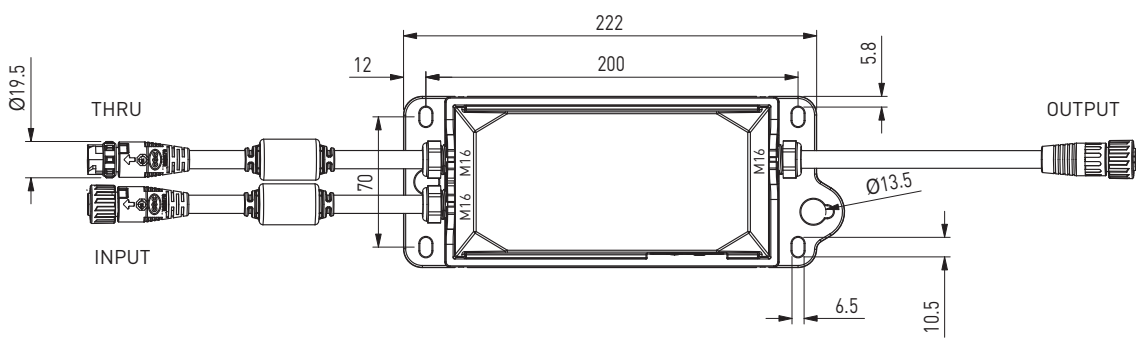
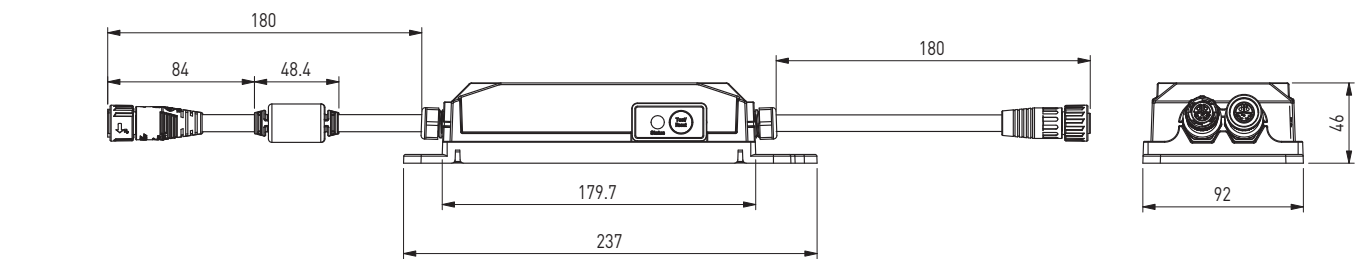
MULTI-PROTOCOL, LOW-VOLTAGE DRIVER BOX FOR EXTERIOR DOT -1/4/9 PRO

SPEC SHEET

## DIMENSIONS

### PHYSICAL

- Length..... 237 mm (9.3 in.) including flange bracket
- Width..... 92 mm (3.6 in.)
- Height..... 46 mm (1.8 in.)
- Weight..... 1.4 kg (3.1 lbs.)



All dimensions are in mm